



ADDENDUM #2

DATE: June 4, 2026

PROJECT: Terrebonne Parish Consolidated Government
Dulac Pontoon Bridge Drydock Project
Parish Project No. 25-BRG-07

TO: PROSPECTIVE BIDDERS



This addendum shall serve as official modification of the original Proposal Documents dated March 6, 2026 as noted below. Acknowledge receipt of the addendum in the space on the Proposal Document. Failure to do so may subject bidder to disqualification.

GENERAL:

1. The deadline to submit bids is June 9, 2026 at 2:00 P.M. All bids must reach the Terrebonne Parish Consolidated Government (TPCG) Purchasing Division, at the 301 Plant Road, Houma, LA 70363 before 2:00 P.M as shown on the Purchasing Division Conference Room Clock, at which time sealed bids shall be publicly opened and read. Contractors may also submit their bids electronically on Central Auction House, visit <http://www.centralauctionhouse.com/>.
2. Attached to this Addendum are the record drawings for the Dulac Pontoon Bridge as submitted by the original contractor and Engineer. The Bidders are responsible for verifying all information provided on these drawings.

PARISH PROJECT NO. 12-CDBG-32

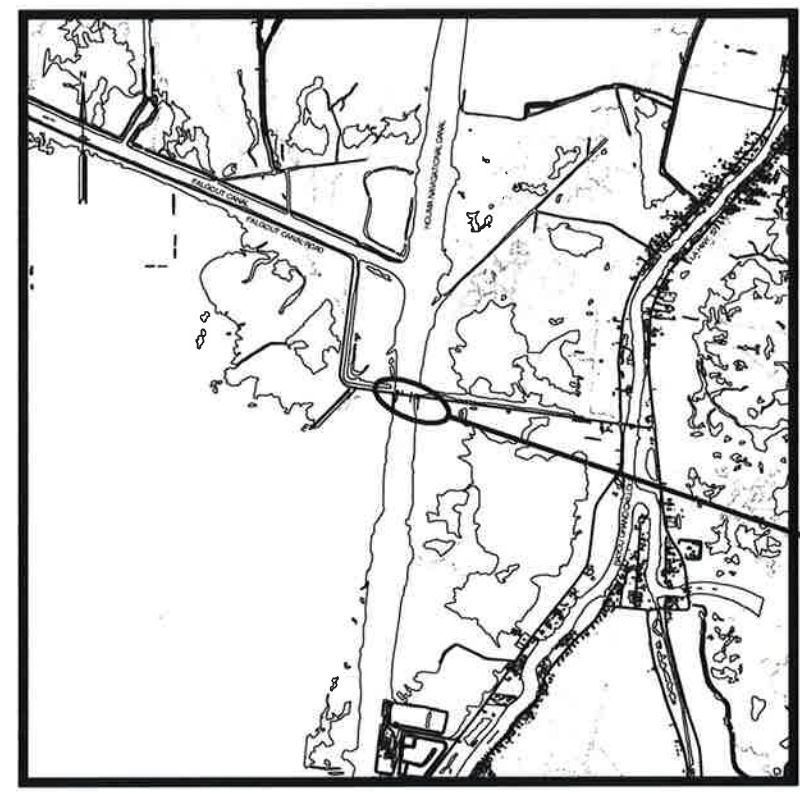
FALGOUT CANAL PONTOON BRIDGE REPLACEMENT (CDBG-DR)

RECORD DRAWINGS

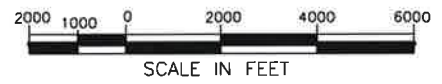
TERREBONNE PARISH, LOUISIANA

INDEX TO SHEETS

SHEET NO.	DESCRIPTION
G1	TITLE SHEET (1 SHEET)
C1-C3	CIVIL DRAWINGS (3 SHEETS)
S1-S32	STRUCTURAL DRAWINGS (32 SHEETS)
E1-E13	ELECTRICAL DRAWINGS (13 SHEETS)
M1-M2	MECHANICAL DRAWINGS (2 SHEETS)
SCH210	HYDRAULIC WINCH LAYOUT (2 SHEETS)
SCH209	HYDRAULIC WINCH BASE (8 SHEETS)
SCH211	HYDRAULIC WINCH B (6 SHEETS)
SCH214	HYDRAULIC SCHEMATIC (5 SHEETS)
M3-M10	MECHANICAL DRAWINGS (8 SHEETS)
	BULKHEAD REPAIR (1 SHEET)
60	STD. PLAN EN-01 (1 SHEET)
01-04	STD. PLAN TCC-00 (4 SHEETS)



LOCATION MAP



VICINITY MAP

Not To Scale

SCHEDULE OF REVISIONS		
Date:	Description:	Approved:
1/5/17	RECORD DRAWING	

Project Description:

REPLACE EXISTING PONTOON BARGE WITH NEW PONTOON BARGE INCLUDING NEW WINCH AND ELECTRICAL SYSTEM, OPERATOR HOUSE AND ACCESSORIES, SWING ARM, DOLPHIN PILES, GENERATOR AND ASSOCIATED ITEMS OF WORK. THE EXISTING PONTOON BARGE SHALL BECOME THE PROPERTY OF THE CONTRACTOR AND SHALL BE REMOVED FROM THE PROJECT SITE.

TERREBONNE PARISH CONSOLIDATED GOVERNMENT
 P.O. BOX 2768
 HOUMA, LA

REVISED DATE: MARCH 9, 2015
 DATE: SEPTEMBER 16, 2014
 GSE PROJECT NO. 441-057-GSE

Prepared By:

PROVIDENCE/GSE Associates, LLC

991 Grand Caillou Rd
 Houma, LA 70363
 (985) 876-6380

1201 Main St
 Baton Rouge, LA 70802
 (225) 766-7400

2315 N Woodlawn Ave,
 Ste 201
 Metairie, LA 70001
 (504) 454-1710

ENGINEERS • ARCHITECTS • PLANNERS • SURVEYORS

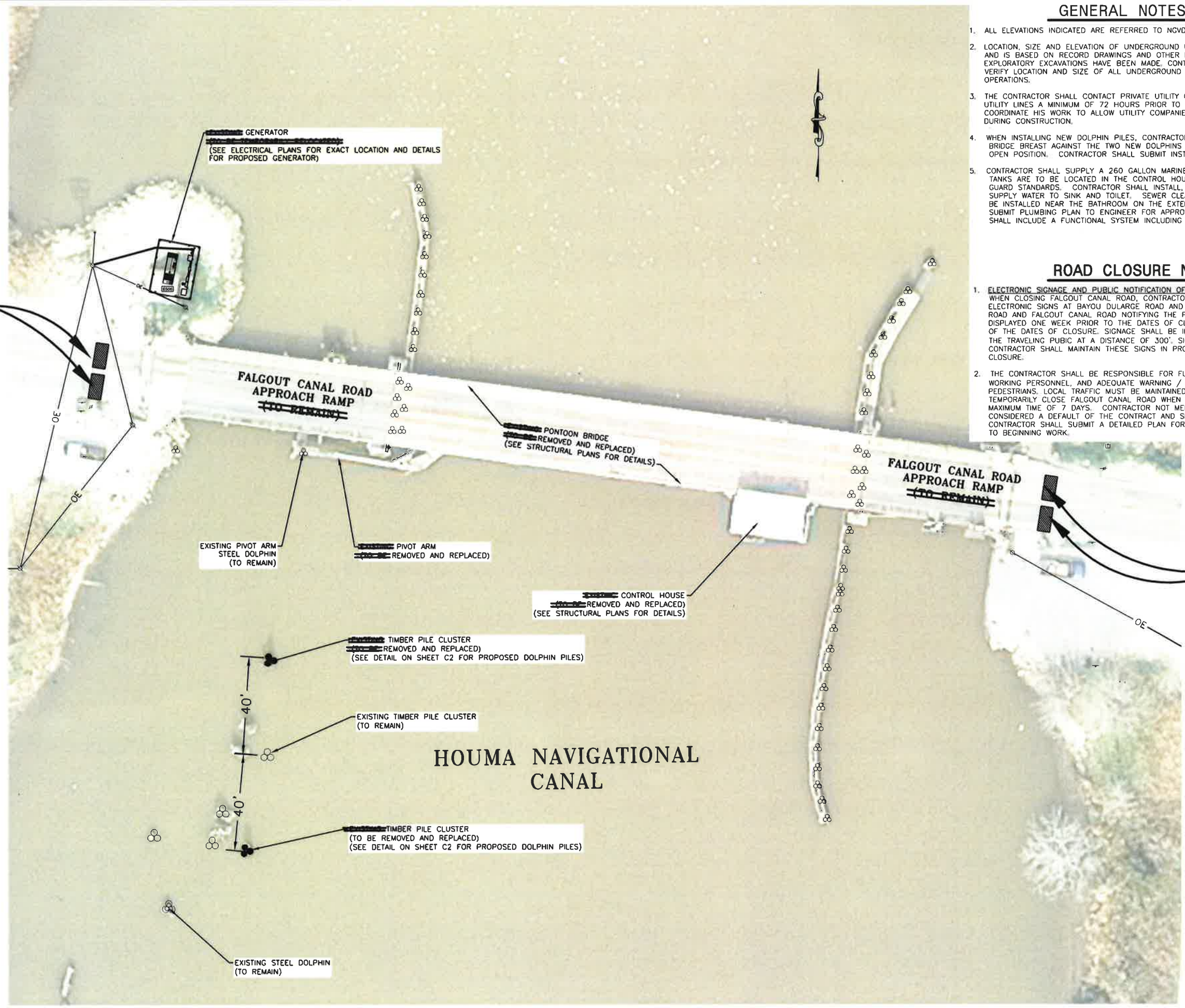
These compiled engineering as-built record drawings are a compilation of a copy of the original sealed engineering design drawings for this project, modified by addenda, change orders and information furnished by the contractor. The information shown on these compiled engineering as-built record drawings that was provided by the contractor or others not associated with me cannot be verified for accuracy or completeness. My compilation of this information does not relieve the contractor of responsibility for errors resultant to incorrect, incomplete or omitted data on the contractor's as-built record drawings - nor does it relieve the contractor of responsibility for non-conformance with the original contract documents. The original sealed engineering drawings are on file in the offices of Providence Engineering and Design, LLC. The professional engineer was Robert E. Williams, Jr. with license number 36970. (Jan. 5, 2017)

SHEET NO. G1
1 OF 1
DRAWING NO.

K:\Terrebonne\441\J\J\TPCG\441\057\GSE Falgout Pontoon Bridge\441057 G1 RD.dwg, Layout1, 1/5/2017 11:19:01 AM, 1:2, Todd

K:\Terrebonne\441\1\1\TPCG441057GSE Falgout Pontoon Bridge\441057 C1C2 RD.dwg, C1, 1/5/2017 11:17:03 AM, 1:2, Todd

BRIDGE
CLOSED



GENERAL NOTES

1. ALL ELEVATIONS INDICATED ARE REFERRED TO NGVD88 (EPOCH 2006.7781), UNLESS OTHERWISE NOTED
2. LOCATION, SIZE AND ELEVATION OF UNDERGROUND UTILITIES IS SHOWN FOR INFORMATIONAL PURPOSES AND IS BASED ON RECORD DRAWINGS AND OTHER DATA AVAILABLE DURING PLAN PREPARATION. NO EXPLORATORY EXCAVATIONS HAVE BEEN MADE. CONTRACTOR SHALL SPOT EXCAVATE WITH CAUTION TO VERIFY LOCATION AND SIZE OF ALL UNDERGROUND UTILITIES PRIOR TO BEGINNING MAJOR EXCAVATION OPERATIONS.
3. THE CONTRACTOR SHALL CONTACT PRIVATE UTILITY COMPANIES FOR ADJUSTMENT OR RELOCATION OF UTILITY LINES A MINIMUM OF 72 HOURS PRIOR TO BEGINNING EXCAVATION. CONTRACTOR SHALL COORDINATE HIS WORK TO ALLOW UTILITY COMPANIES TO MAKE ADJUSTMENTS OR RELOCATE UTILITIES DURING CONSTRUCTION.
4. WHEN INSTALLING NEW DOLPHIN PILES, CONTRACTOR SHALL LAY OUT PILES SO THAT THE PONTOON BRIDGE BREAST AGAINST THE TWO NEW DOLPHINS AND ONE EXISTING PILE CLUSTER WHEN IN THE OPEN POSITION. CONTRACTOR SHALL SUBMIT INSTALLATION PLAN TO ENGINEER FOR APPROVAL.
5. CONTRACTOR SHALL SUPPLY A 260 GALLON MARINE WASTE AND 260 GALLON WATER HOLDING TANK. TANKS ARE TO BE LOCATED IN THE CONTROL HOUSE CELLAR DECK AND SHALL MEET ALL COAST GUARD STANDARDS. CONTRACTOR SHALL INSTALL, PER CODE, NECESSARY PIPING AND PUMP TO SUPPLY WATER TO SINK AND TOILET. SEWER CLEAN OUT AND WATER FILL CONNECTION ARE TO BE INSTALLED NEAR THE BATHROOM ON THE EXTERIOR OF THE EAST WALL. CONTRACTOR SHALL SUBMIT PLUMBING PLAN TO ENGINEER FOR APPROVAL. PAYMENT AND ACCEPTANCE OF THIS WORK SHALL INCLUDE A FUNCTIONAL SYSTEM INCLUDING SUPPORTS, ACCESS PORTALS, PIPING, FIXTURES, ETC.

ROAD CLOSURE NOTES

1. **ELECTRONIC SIGNAGE AND PUBLIC NOTIFICATION OF ROAD CLOSURE**
WHEN CLOSING FALGOUT CANAL ROAD, CONTRACTOR SHALL BE REQUIRED TO PROVIDE PORTABLE ELECTRONIC SIGNS AT BAYOU DULARGE ROAD AND FALGOUT CANAL ROAD AND AT GRAND CAILLOU ROAD AND FALGOUT CANAL ROAD NOTIFYING THE PUBLIC OF THE ROAD CLOSURE. SIGNS SHALL BE DISPLAYED ONE WEEK PRIOR TO THE DATES OF CLOSURE. SIGN MESSAGE SHALL INFORM THE PUBLIC OF THE DATES OF CLOSURE. SIGNAGE SHALL BE ILLUMINATED AND LARGE ENOUGH TO BE READ BY THE TRAVELING PUBLIC AT A DISTANCE OF 300'. SIGNAGE SHALL CONFORM TO LODD SPECIFICATIONS. CONTRACTOR SHALL MAINTAIN THESE SIGNS IN PROPER WORKING ORDER FOR THE DURATION OF THE CLOSURE.
2. THE CONTRACTOR SHALL BE RESPONSIBLE FOR FURNISHING ADEQUATE PROTECTION FOR HIS WORKING PERSONNEL, AND ADEQUATE WARNING / PROTECTION FOR LOCAL MOTORISTS AND PEDESTRIANS. LOCAL TRAFFIC MUST BE MAINTAINED AT ALL TIMES. CONTRACTOR WILL BE ALLOWED TO TEMPORARILY CLOSE FALGOUT CANAL ROAD WHEN INSTALLING THE PONTOON BRIDGE FOR A MAXIMUM TIME OF 7 DAYS. CONTRACTOR NOT MEETING ABOVE DESCRIBED TIME SCHEDULE SHALL BE CONSIDERED A DEFAULT OF THE CONTRACT AND SHALL BE SUBJECT TO LIQUIDATED DAMAGES. CONTRACTOR SHALL SUBMIT A DETAILED PLAN FOR MAINTENANCE OF TRAFFIC FOR APPROVAL PRIOR TO BEGINNING WORK.

CADD FILE NAME:
441057 C1C2 RD.dwg

RECORD DRAWING
These compiled engineering as-built record drawings are a compilation of a copy of the original sealed engineering design drawings for this project, modified by addenda, change orders and engineering as-built record drawings furnished by the contractor. The information shown on these compiled engineering as-built record drawings has been provided by the contractor for the compilation of this information does not relieve the contractor of responsibility for errors resultant to incorrect, incomplete or omitted data on the contractor's as-built record drawings - nor does it relieve the contractor of responsibility for non-conformance with the original contract documents. The original sealed engineering drawings are on file in the office of the Engineer of Record, Robert E. Williams, Jr. with license number 36670. (Jan. 5, 2017)

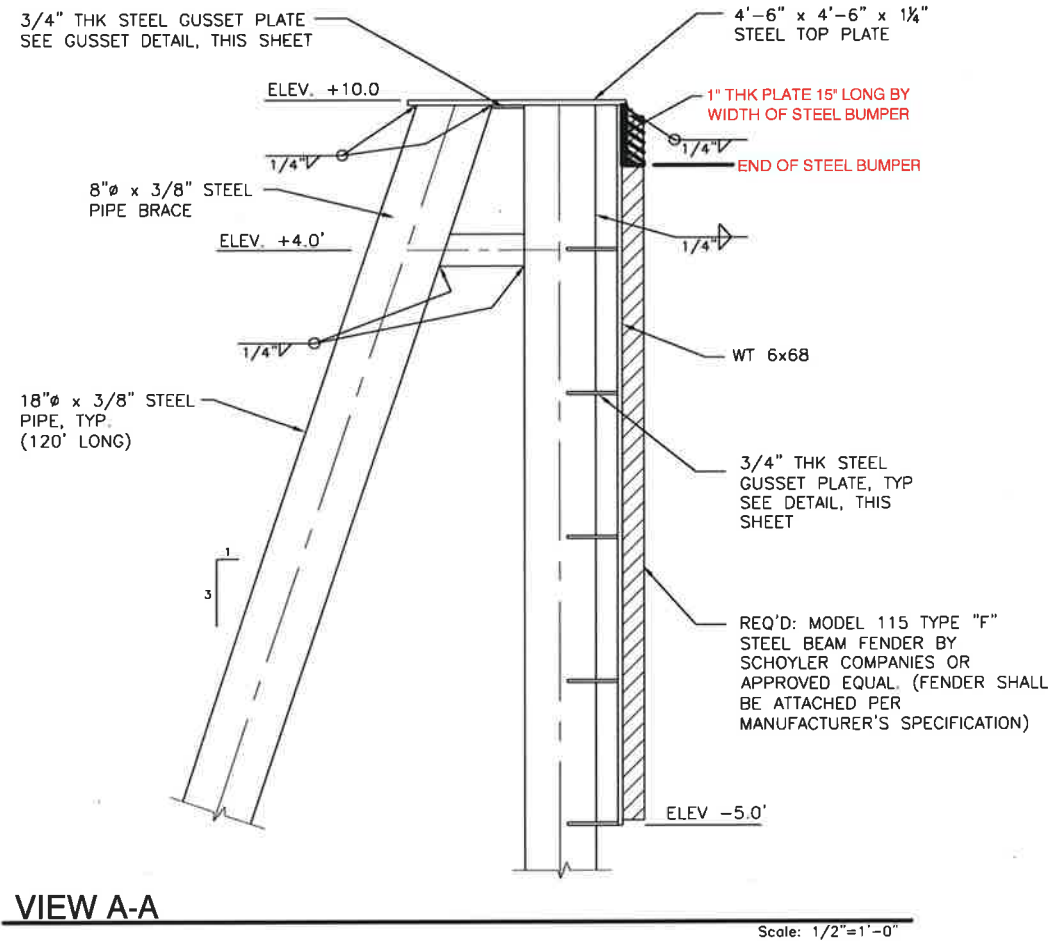
**PROVIDENCE/
GSE Associates, LLC**
1201 Main St.
Baton Rouge, LA 70801
(985) 976-6380
780-7400
2315 N. Westman
Metairie, LA 70001
614-201-1111
ENGINEERS • ARCHITECTS • PLANNERS • SURVEYORS

DESIGNED BY:	B.M.B.
DRAWN BY:	T.M.P.
CHECKED BY:	R.E.W., Jr.
DATE:	SEPT. 16, 2014
SCALE:	1" = 20'
PLOT SCALE:	1:1
JOB NO.:	441-057-GSE

JOB: **FALGOUT CANAL PONTOON BRIDGE REPLACEMENT**
SITE PLAN AND GENERAL NOTES
OWNER: **Terrebonne Parish Consolidated Government**
Terrebonne Parish, Louisiana

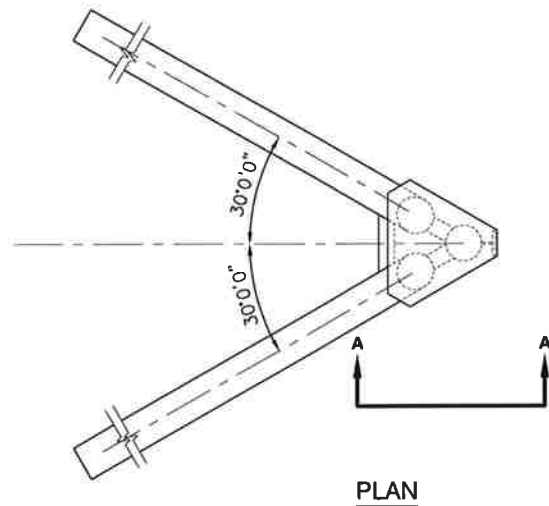
SHEET NO.
C1
1 of 3

K:\Terrebonne\441\1\1\TFCG441057GSE Falgout Pontoon Bridge\441057 C1C2 RD.dwg, C2, 1/5/2017 11:17:25 AM, 1:2, Todd

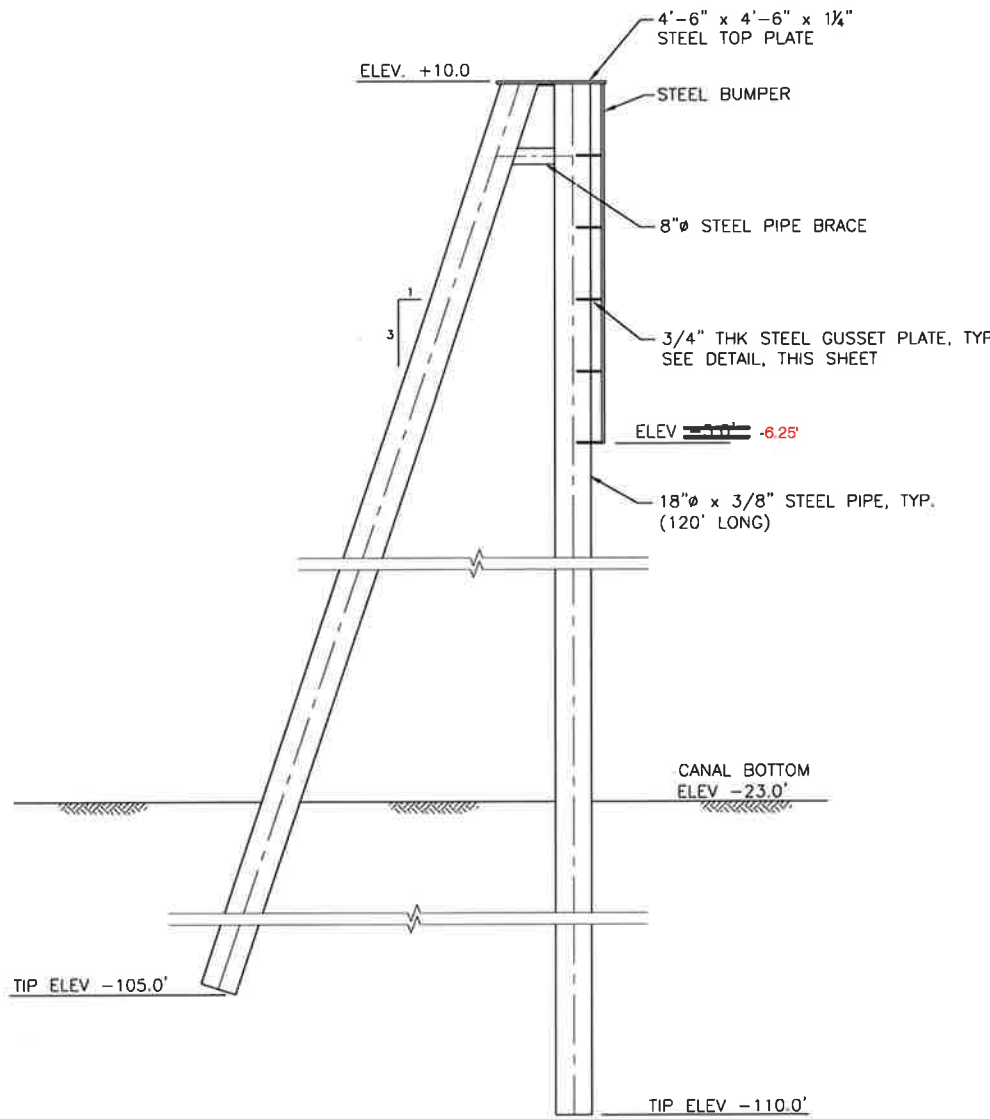


VIEW A-A

Scale: 1/2"=1'-0"



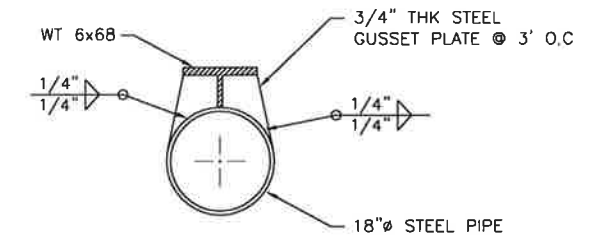
PLAN



ELEVATION

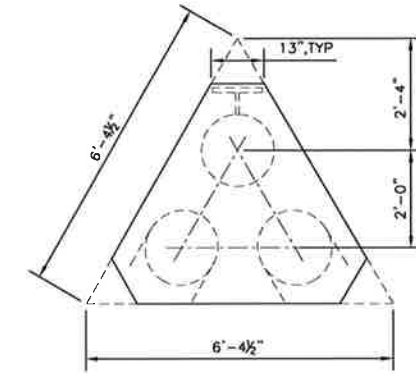
TYPICAL DOLPHIN DETAIL

Scale: 1/4"=1'-0"



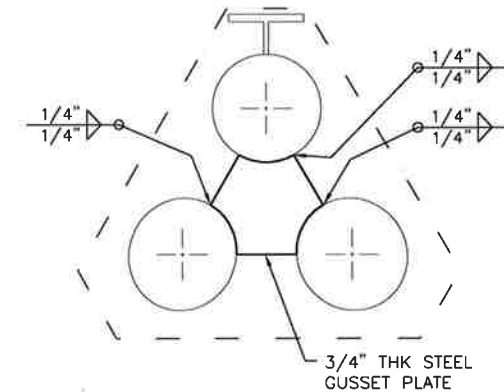
T-BAR GUSSET DETAIL

Scale: 3/4"=1'-0"



TOP PLATE DETAIL

Scale: 1/2"=1'-0"



GUSSET DETAIL

Scale: 3/4"=1'-0"

NOTES:

1. ALL STRUCTURAL STEEL SHALL BE ASTM A-36 UNLESS OTHERWISE NOTED.
2. ALL WELDING SHALL CONFORM TO THE AMERICAN WELDING SOCIETY SPECIFICATIONS-STRUCTURAL WELDING CODE AND SECTION 815 OF THE DOTD STANDARD SPECIFICATIONS.
3. WELDING SYMBOLS SHOWN ARE THOSE ADOPTED BY THE AMERICAN WELDING SOCIETY AND INDICATE TYPE AND SIZE REQUIRED.
4. UPPER 40' OF ALL STEEL TO BE COATED.

COATING: 16 MILS (DRY FILE THICKNESS), SHERWIN WILLIAMS TARGUARD EPOXY

LEGEND OF WELDING SYMBOLS

- FIELD WELD
- FILLET WELD SIZE (SIZE "X" INCH)
- FILLET WELD (SIZE "X" INCH BOTH SIDES)
- WELD ALL THE WAY AROUND.

CADD FILE NAME:
441057 C1C2 RD.dwg

RECORD DRAWING
These completed engineering as-built record drawings are a compilation of a copy of the original sealed engineering design drawings for this project, modified by addenda, change orders and information furnished by the contractor. The information shown on these completed engineering as-built record drawings that was provided by the contractor or others not provided on the original sealed engineering design drawings is the responsibility of the contractor. The information shown on these completed engineering as-built record drawings is not to be used for any other purpose, in whole or in part, without the written consent of the contractor. The contractor shall be responsible for any errors, omissions or incomplete or omitted data on the contractor's as-built record drawings - nor does it relieve the contractor of responsibility for non-conformance with the original contract documents. The original sealed engineering drawings are on file in the offices of Providence Engineering and Design, LLC, the professional engineer and Robert E. Williams, Jr. with license number 36970 (Gen. S. 2017)

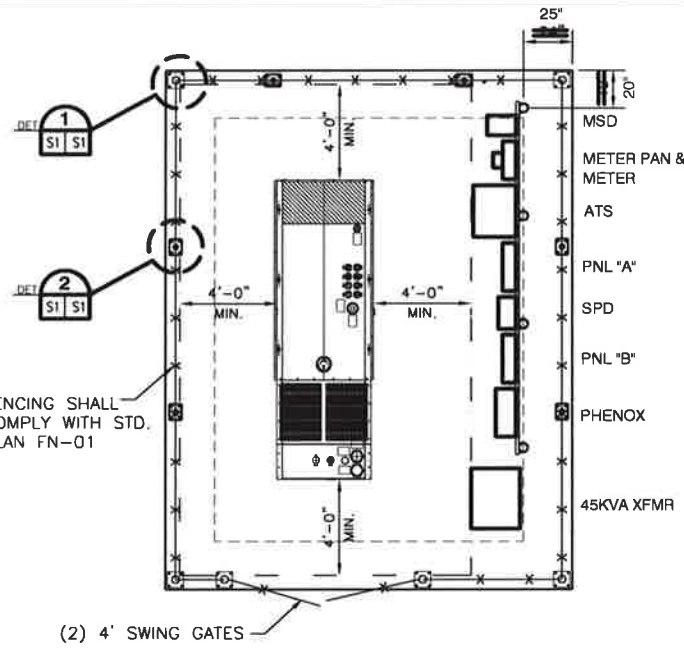
PROVIDENCE/ GSE Associates, LLC
1201 Main St
Baton Rouge, LA 70802 (225) 768-7406
901 Canal Collins Rd
Houma, LA 70363 (865) 876-6360
2315 N. Westbank
Ave 201
Metairie, LA 70001 (504) 454-1710
ENGINEERS • ARCHITECTS • PLANNERS • SURVEYORS

DATE:	SEPT. 16, 2014
SCALE:	AS SHOWN
PLOT SCALE:	1:1
DESIGNED BY:	B.M.B.
DRAWN BY:	T.M.P.
CHECKED BY:	R.E.W., Jr.
JOB NO.:	441-057-GSE

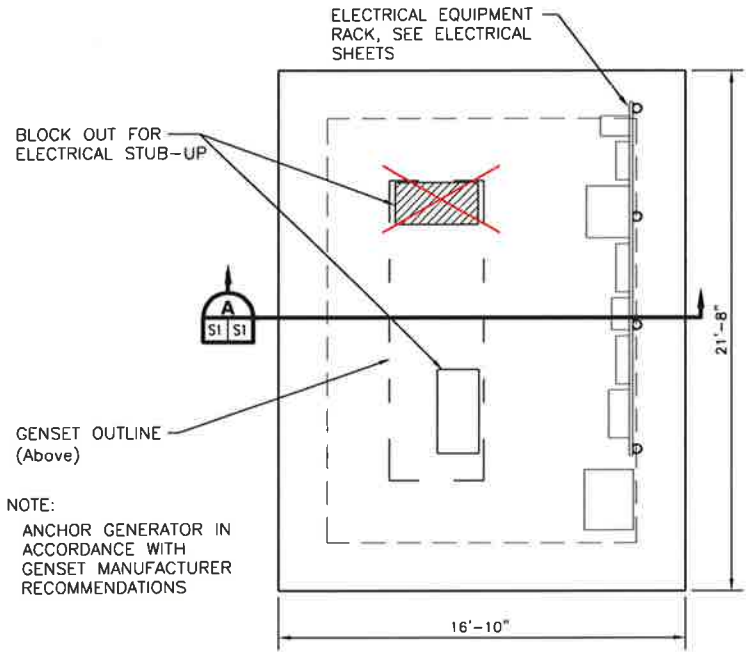
JOB: **FALGOUT CANAL PONTOON BRIDGE REPLACEMENT**
SITE PLAN AND DOLPHINE DETAILS
OWNER: **Terrebonne Parish Consolidated Government**
Terrebonne Parish, Louisiana

SHEET NO. **C2**
2 OF 3

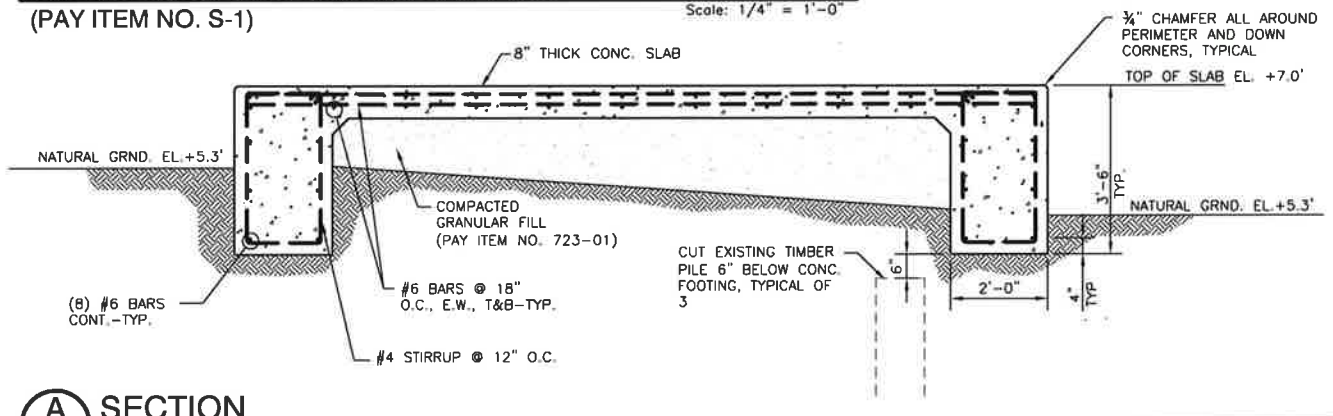
K:\Terrebonne\441057GSE Falgout Pontoon Bridge\441057 C3 RD.dwg, C3, 1/5/2017 11:17:38 AM, I:2, Todd



GENERATOR SLAB LAYOUT
(PAY ITEM NO. S-1)
Scale: 1/4" = 1'-0"

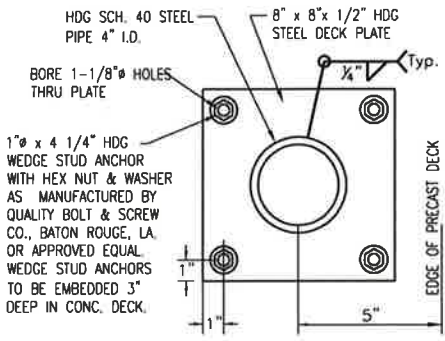


GENERATOR FOUNDATION PLAN
(PAY ITEM NO. S-1)
Scale: 1/4" = 1'-0"

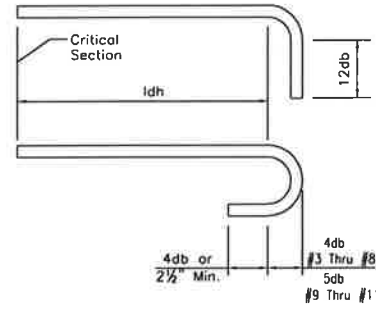
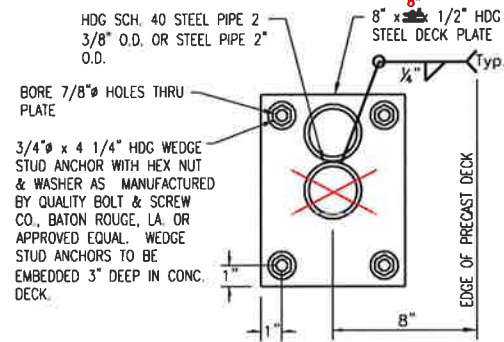


SECTION A
(PAY ITEM NO. S-1)
Scale: 1/2" = 1'-0"

1 GATE POST BASE PLATE
Scale: 1" = 4'-0"



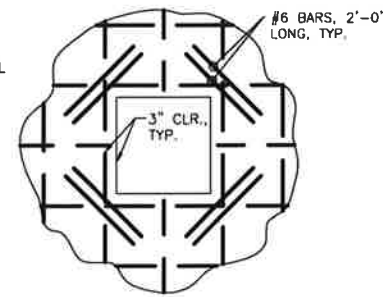
2 FENCE LINE POST BASE PLATE
Scale: 1" = 4'-0"



BAR SIZE	MIN. EMBED. LENGTH		MIN. LAP LENGTH		HOOKED BARS
	TOP BARS	OTHER	TOP BARS	OTHER	
#3	19"	15"	25"	19"	6"
#4	25"	19"	33"	25"	10"
#5	31"	24"	41"	31"	12"
#6	37"	29"	49"	38"	15"
#7	54"	42"	70"	54"	17"
#8	62"	47"	80"	62"	19"
#9	69"	53"	90"	69"	22"

- NOTES:**
- USE BASIC TABLE IF ALL OF THE FOLLOWING CONDITIONS ARE MET:
 - CENTER TO CENTER BAR SPACING LATERALLY IS AT LEAST 3 BAR DIAMETERS.
 - DISTANCE FROM THE CENTER OF A BAR TO THE NEAREST CONCRETE SURFACE MUST BE AT LEAST 2.5 BAR DIAMETERS.
 - THE ALTERNATE TABLE MAY BE USED IF ALL OF THE FOLLOWING CONDITIONS ARE MET:
 - CENTER TO CENTER BAR SPACING IS AT LEAST 5 BAR DIAMETERS.
 - DISTANCE FROM THE CENTER OF A BAR TO THE NEAREST CONCRETE SURFACE MUST BE AT LEAST 2.5 BAR DIAMETERS.
 - TOP BARS ARE HORIZONTAL BARS AND BARS INCLINED LESS THAN 45 DEGREES WITH RESPECT TO A HORIZONTAL PLANE WHICH ARE PLACED SUCH THAT MORE THAN 12 INCHES OF CONCRETE IS CAST IN THE MEMBER BELOW THE BAR.

TYPICAL EMBEDMENT SPLICE AND BAR HOOKS
NOT TO SCALE



TYPICAL REINFORCING AT BLOCK OUT FOR ELECTRICAL CONDUIT
N.T.S.

STRUCTURAL NOTES:

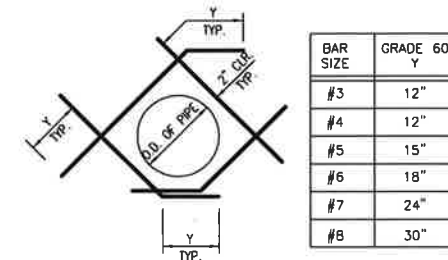
- ALL ELEVATIONS REFER TO NAVD (NORTH AMERICAN VERTICAL DATUM) 88.
- DIMENSIONS: STRUCTURAL DIMENSIONS CONTROLLED BY OR RELATED TO MECHANICAL OR ELECTRICAL EQUIPMENT SHALL BE VERIFIED BY THE CONTRACTOR PRIOR TO CONSTRUCTION.
- PROVISIONS FOR SHIPMENT: MECHANICAL AND ELECTRICAL EQUIPMENT SUPPORTS, ANCHORAGES, OPENINGS AND RECESSES NOT SHOWN ON THE STRUCTURAL DRAWINGS BUT REQUIRED BY OTHER CONTRACT DRAWINGS SHALL BE PROVIDED FOR PRIOR TO PLACING CONCRETE.
- CONSTRUCTION LOADS: STRUCTURES HAVE BEEN DESIGNED FOR OPERATIONAL LOADS ON THE COMPLETED STRUCTURES. DURING CONSTRUCTION, THE STRUCTURES SHALL BE PROTECTED BY BRACING AND BALANCING WHEREVER EXCESSIVE CONSTRUCTION LOADS MAY OCCUR.
- STRUCTURAL DRAWINGS SHALL BE USED IN COORDINATION WITH MECHANICAL, ELECTRICAL, ARCHITECTURAL DRAWINGS AND SHOP DRAWINGS PROVIDED BY EQUIPMENT MANUFACTURER.
- ALL CAST IN PLACE CONCRETE TO BE USED IN THE CONSTRUCTION OF PILE CAPS, FOUNDATIONS, SLABS, WALLS, BEAMS, BASINS AND RELATED STRUCTURAL COMPONENTS SHALL ATTAIN AN AVERAGE COMPRESSIVE STRENGTH OF 4,000 PSI AT 28 DAYS. ALL CONCRETE USED FOR PAVING DRIVEWAYS SHALL ATTAIN AN AVERAGE COMPRESSIVE STRENGTH OF 4,000 PSI AT 28 DAYS.
- ALL EXPOSED CORNERS OF CONCRETE SHALL HAVE A 3/4 INCH CHAMFER UNLESS OTHERWISE SPECIFIED.
- ALL REINFORCING STEEL SHALL MEET THE REQUIREMENTS OF ASTM A615, GRADE 60.
- REINFORCING BARS SHALL BE BENT AS SHOWN ON PLANS AND SHALL BE DETAILED, FABRICATED, INSTALLED AND SUPPORTED IN ACCORDANCE WITH THE CRSI BOOK "PLACING REINFORCING BARS" AND SHALL BE PLACED WITHIN TOLERANCES GIVEN IN ACI 117.
- REINFORCING STEEL SHALL HAVE COVER AS PER ACI 318. A CLEAR COVER OF 3 INCHES SHALL BE PROVIDED FOR ALL CONCRETE PLACED AGAINST UNFORMED EARTH SURFACES. SPREAD REINFORCING BARS AROUND ALL INSERTS, SLEEVES, OPENINGS, ETC. DO NOT CUT BARS. A CLEAR COVER OF 2.5 INCHES WILL BE PROVIDED FOR ALL EXPOSED FORMED SURFACES.
- DIMENSIONS RELATING TO BAR REINFORCING STEEL SPACING ARE TO BAR CENTERS, UNLESS OTHERWISE NOTED. THE MINIMUM LENGTH FOR REINFORCEMENT LAP SPLICES, AND THE DEVELOPMENT LENGTH WITHOUT HOOKS SHALL BE AS INDICATED IN THE TABLE. ALL BAR SPACING AND SPACING SHALL CONFORM TO ACI 318. UNLESS OTHERWISE SHOWN ALTERNATE BAR SPLICE LOCATION BETWEEN ADJACENT BARS.
- REINFORCEMENT BARS AND ACCESSORIES SHALL NOT BE IN CONTACT WITH ANY PIPE, PIPE FLANGE OR METAL PARTS EMBEDDED IN CONCRETE. A MINIMUM OF 2.5 INCHES CLEARANCE SHALL BE PROVIDED AT ALL TIMES.
- ALL KEYWAYS IN CONSTRUCTION JOINTS SHALL BE THOROUGHLY CLEANED FOR BOND.
- DOWELS, PIPES AND OTHER INSTALLED MATERIALS AND ACCESSORIES SHALL BE HELD SECURELY IN POSITION WHILE BEING PLACED.
- WELDED WIRE FABRIC SHALL CONFORM TO ASTM A 185 AND SHALL BE LAPPED A MINIMUM OF TWO SPACES AT ALL JOINTS.
- CODES AND SPECIFICATIONS: STEEL CONSTRUCTION SHALL CONFORM TO THE SPECIFICATIONS AND STANDARDS AS CONTAINED IN THE LATEST EDITION OF THE AISC STEEL CONSTRUCTION MANUAL.
- UNLESS OTHERWISE SPECIFIED, ALL STRUCTURAL STEEL SHALL CONFORM TO ASTM A-36. ALL EXPOSED FERROUS METAL SURFACES SHALL BE HOT DIPPED GALVANIZED, OR PAINTED IN ACCORDANCE WITH THE SPECIFICATIONS.
- WELDING: ALL WELDING SHALL BE BY THE SHIELDED ARC METHOD AND SHALL CONFORM TO AWS CODE FOR ARC GAS WELDING IN BUILDING CONSTRUCTION. QUALIFICATION OF WELDERS SHALL BE IN ACCORDANCE WITH THE SPECIFICATIONS FOR STANDARD QUALIFICATION PROCEDURE OF THE AWS.
- ENCASED STEEL: STEEL COMPLETELY ENCASED IN CONCRETE SHALL NOT BE PAINTED AND, AT THE TIME THE CONCRETE IS PLACED, SHALL BE CLEAN AND FREE FROM ANY SUBSTANCE THAT MIGHT IMPAIR THE BOND BETWEEN THE STEEL AND CONCRETE.
- STAINLESS STEEL: UNLESS OTHERWISE SHOWN OR SPECIFIED, STAINLESS STEEL SHALL BE TYPE 18-8.

CONCRETE NOTES:

- CONCRETE SHALL HAVE A MINIMUM COMPRESSIVE STRENGTH OF 4000 PSI IN 28 DAYS. FINISHES SHALL BE AS FOLLOWS: INTERIOR SLAB - STEEL TROWEL, EXTERIOR SLABS - LIGHT BROOM, AND VERTICAL SURFACES - RUBBED.
- REINFORCING STEEL SHALL MEET THE REQUIREMENTS OF ASTM A 615 GRADE 60. WELDED WIRE FABRIC SHALL CONFORM TO ASTM A 185.
- A MOISTURE BARRIER CONSISTING OF VISQUEEN 6 MILS THICK SHALL BE INSTALLED UNDER THE CONCRETE SLAB.

SITE PREPARATION NOTES:

- THE EXISTING GROUND BENEATH THE BUILDING SHALL BE STRIPPED TO A MINIMUM DEPTH NECESSARY TO REMOVE ALL VEGETATION AND ROOTS AND TO REACH FIRM UNDISTURBED GROUND.
- ALL DEPRESSION, STUMP HOLES, AND WEAK AREAS SHALL BE THOROUGHLY CLEANED OUT TO THE SURFACE OF UNDISTURBED SOIL AND BACKFILLED WITH STRUCTURAL FILL MATERIAL.
- STRUCTURAL FILL MATERIAL SHALL BE SELECT GRANULAR MATERIAL SUCH AS HYDRAULICALLY PUMPED SAND. SELECT FILL SHOULD BE NON-PLASTIC, FREE OF ROOTS, WOOD, AND OTHER DELETERIOUS MATERIALS, AND HAVE NO MORE THAN 10% BY WEIGHT OF MATERIAL PASSING A U.S. STANDARD NO. 200 MESH SIEVE.
- SELECT FILL SHALL BE SPREAD IN 8 INCH LAYERS AND COMPACTED TO AT LEAST 95% OF ITS MAXIMUM DRY DENSITY IN ACCORDANCE WITH ASTM D 698.
- FORM FOR DEPRESSIONS IN SLABS NEEDED TO SUIT BUILDING FINISH FLOOR MATERIALS AND MECHANICAL DRAINS AND FIXTURES.



TYPICAL DIAGONAL REINFORCING AT CIRCULAR OPENING
N.T.S.

CADD FILE NAME:
441057 C3 RD.dwg

RECORD DRAWING

These compiled engineering as-built record drawings are a compilation of a copy of the original sealed engineering design drawings for this project, modified by addenda, change orders and information furnished by the contractor. The information shown on these compiled engineering as-built record drawings that was provided by the contractor or subcontractor is not the responsibility of the engineer. The engineer's responsibility is to compile this information and to ensure that the contractor's as-built record drawings are in accordance with the original design drawings and specifications. The engineer is not responsible for any errors or omissions in the original design drawings or specifications. The engineer's professional seal is in the bottom right corner of this drawing. Robert E. Williams, Jr., with license number 36570, (Jan. 5, 2017)

PROVIDENCE/ GSE Associates, LLC

2315 N Woodlawn
Metairie, LA 70001
981 Grand Collins Rd
Baton Rouge, LA 70803
(985) 976-6380
788271225

DATE: SEPT. 16, 2014
SCALE: AS SHOWN
PLOT SCALE: 1:1
JOB NO. 441-057-GSE

DESIGNED BY: R.E.W., Jr.
DRAWN BY: T.M.P.
CHECKED BY: R.E.W., Jr.

PARISH PROJECT NO. 12-CDBG-32
FALGOUT CANAL PONTOON BRIDGE REPLACEMENT
GENERATOR FOUNDATION SLAB AND DETAILS
OWNER: Terrebonne Parish Consolidated Government
Terrebonne Parish, Louisiana

STEEL NOTES:

1. ALL STRUCTURAL STEEL AND MISCELLANEOUS STEEL SHALL BE ASTM A709 GRADE 36 UNLESS OTHERWISE NOTED. FLOOR PLATE SHALL CONFORM WITH ASTM A706 AND ASTM A36 AND HAVE A RAISED PATTERN. PIPE SHALL CONFORM WITH ASTM A53, TYPE E.
2. MATERIAL DESIGNATED AS A709 GRADE 36 OR A572 GRADE 50 SHALL BE STRUCTURAL CARBON STEEL IN ACCORDANCE WITH ASTM DESIGNATING A709 GRADE 36 OR A572 GRADE 50.
3. ALL STRUCTURAL AND MISCELLANEOUS STEEL EXCEPT THAT REQUIRED TO BE HOT-DIPPED-GALVANIZED SHALL BE PAINTED.
4. STEEL SURFACE FINISHES WHERE INDICATED SHALL CONFORM TO THE REQUIREMENTS OF ANSI B46.1, SURFACE ROUGHNESS, WAVINESS AND LAY, PART 1.
5. ALL STRUCTURAL WORKMANSHIP, FIT UP, WELDING, INSTALLATION AND CRAFTSMANSHIP SHALL BE IN ACCORDANCE WITH AMERICAN BUREAU OF SHIPPING (ABS) RULES FOR BUILDING AND CLASSING VESSELS FOR SERVICE ON INTRACOASTAL WATERWAYS - 1997 EDITION.
6. ALL FLANGES OF STIFFENERS OR GIRDERS ARE TO BE SNIPED WHEN ENDS CONNECT TO BULKHEADS, DECKS OR SHELL.
7. ALL SNIPES TO BE 1 1/2" x 1 1/2" UNLESS NOTED OTHERWISE NOTED.
8. UNBRACKETED STIFFENERS OF SHELL OR WATERTIGHT BULKHEADS ARE TO HAVE DOUBLE CONTINUOUS FOR 1/10 OF THEIR LENGTH AT EACH END.
9. ALL BRACKETS ARE TO WELDED DOUBLE CONTINUOUS.
10. ALL DECK STIFFENERS AND BOTTOM FRAMES FORWARD OF MIDSHIP SHALL TOE AFT AND ALL DECK STIFFENERS AND BOTTOM FRAMES AFT OF MIDSHIP SHALL TOE FORWARD, UNLESS NOTED OTHERWISE.

BOLTED CONNECTIONS: ALL FIELD CONNECTIONS SHALL BE MADE WITH HIGH STRENGTH BOLTS CONFORMING TO ASTM A325 TYPE 1. ALL HIGH STRENGTH BOLT CONNECTIONS SHALL BE MADE WITH DIRECT TENSION INDICATORS (DTI'S). HEADS OF ALL BOLTS SHALL BE ON OUTSIDE EXPOSED FACE OF MEMBERS AS FAR AS PRACTICABLE. BOLT SPACING SHALL BE IN ACCORDANCE WITH DESIGN DRAWINGS, AND THE REQUIREMENTS OF DESIGN SPECIFICATIONS. UNLESS OTHERWISE SHOWN, BOLTED CONNECTIONS SHALL BE MADE WITH 7/8" DIAMETER HIGH STRENGTH BOLTS. ONE WASHER WILL BE REQUIRED BENEATH THE TURNING ELEMENT. BOLTED CONNECTIONS ARE DESIGNED AS FRICTION TYPE.

WELDING: WELDING OF ALL STRUCTURAL STEEL SHALL CONFORM TO SECTION 815 OF THE 2006 EDITION OF THE LOUISIANA STANDARD SPECIFICATIONS FOR ROADS AND BRIDGES. ALL WELDS THAT ARE TO BE MADE ON ANY STRUCTURAL STEEL SHALL BE SHOWN IN THE STRUCTURAL STEEL SHOP DRAWINGS, AND ARE SUBJECT TO APPROVAL BY THE ENGINEER. "ALL WELDS" IS DEFINED AS ANY WELDS PLACED FROM INITIATION OF FABRICATION TO FINAL ACCEPTANCE INCLUDING FABRICATION, TRANSPORTATION, ERECTION AND CONSTRUCTION. GROOVE WELDS SHALL BE FULL PENETRATION UNLESS OTHERWISE NOTED. FIELD WELDING SHALL NOT BE PERMITTED UNLESS OTHERWISE NOTED. ELECTROSLAG WELDING SHALL NOT BE PERMITTED.

GALVANIZED HARDWARE: WHERE GALVANIZING IS CALLED FOR ON THE PLANS OR IN THE SPECIAL PROVISION, PARTS SHALL BE HOT-DIPPED-GALVANIZED IN ACCORDANCE WITH ASTM A153 OR A123. DAMAGED GALVANIZED SURFACES SHALL BE REPAIRED WITH AN APPROVED, COLD-APPLIED, GALVANIZING COMPOUND FROM DOTD QUALIFIED PRODUCTS LIST (QPL) OR OTHER APPROVED METHODS OF REPAIR.

CHARPY V-NOTCH TESTING (TRAFFIC LANES): ALL STRUCTURAL STEEL MEMBERS LISTED BELOW ARE DESIGNATED AS PRIMARY MEMBERS AND SHALL MEET THE REQUIREMENTS DESCRIBED IN SUBSECTION 1013.01 OF THE 2006 EDITION OF THE LOUISIANA STANDARD SPECIFICATIONS FOR ROADS AND BRIDGES.

- A. ALL LONGITUDINAL AND TRANSVERSE BULKHEAD PLATES.
- B. TOP AND BOTTOM PLATES.
- C. TRANSVERSE CHANNELS THAT ARE WELDED TO THE BOTTOM OF THE TOP PLATE.
- D. LONGITUDINAL ANGLES THAT ARE WELDED TO THE BOTTOM OF THE TOP PLATE.
- E. DIAGONAL AND VERTICAL ANGLES USED FOR BRACING.
- F. APRON MEMBERS

BALLAST NOTE: WATER BALLAST AND/OR FIXED PERMANENT BALLAST WILL BE REQUIRED TO LEVEL THE PONTOON BARGE IN THE LONGITUDINAL AND TRANSVERSE DIRECTIONS. IT MAY BE NECESSARY TO LEVEL THE PONTOON BARGE DECK TO THE APPROACH APRONS WITH WATER BALLAST TO ADJUST TO TIDE LEVELS.

PAINTING SYSTEM FOR PONTOON BARGE:

SURFACE CLEANING AND COATING:

ALL OF THE VESSEL'S INTERIOR COMPARTMENTS SHALL BE OPENED AT THE MANHOLE AND CERTIFIED FOR SAFE ENTRY PRIOR TO ANY REPAIRS BEING STARTED. REMOVE ALL VISIBLE OIL, GREASE, SOIL, DIRT AND OTHER SOLUBLE CONTAMINANTS IN ACCORDANCE WITH SSPC SP1. WELD SLAG, WELD SPATTER, ROUGH EDGES AND SHARP EDGES OF WELD SEAMS SHALL BE GROUND SMOOTH. STRIPE COAT ALL WELDS, KNUCKLES, AND SHARP EDGES. ALL SURFACES SHALL BE ABRASIVE-BLAST CLEANED TO A NEAR-WHITE FINISH IN ACCORDANCE WITH THE RECOMMENDED METHODS OUTLINED IN THE SOCIETY OF PROTECTIVE COATINGS SSPC SP10 (NACE #2). BLAST SHALL ACHIEVE AN ANCHOR PROFILE OF 1-3 MILS.

ALL INTERIOR SURFACES SHALL BE COATED AS FOLLOWS:

- 1ST COAT: CARBOLINE CARBOGUARD 635 - 8 MILS DFT
- 2ND COAT: CARBOLINE CARBOGUARD 635 - 5 MILS DFT

EXTERIOR OF PONTOON UNIT BOTTOM, ENDS, AND SIDES COATING:

COATING SYSTEM BELOW WATER LINE:

- 1ST COAT: CARBOLINE CARBOZINC 808 - 3 MILS DFT
- 2ND COAT: CARBOLINE BITUMASTIC 300M - 16 MILS DFT

COATING SYSTEM ABOVE WATER LINE (SIDES, ENDS, AND GUARD RAILS):

- 1ST COAT: CARBOLINE CARBOZINC 808 - 3 MILS DFT
- 2ND COAT: CARBOLINE CARBOGUARD 235 - 5 MILS DFT
- 3RD COAT: CARBOLINE CARBOTHANE 134 HG - 3 MILS DFT

EXTERIOR OF PONTOON MAIN DECK AREA COATING:

COATING SYSTEM-MAIN DECK AREA:

2 COATS CARBOLINE CARBOGUARD 1207 - 3/16" TO 1/4" DFT TOTAL (188-250 MILS)

DESIGN SPECIFICATIONS: STRUCTURE DESIGN IS IN ACCORDANCE WITH THE AASHTO STANDARD SPECIFICATIONS FOR HIGHWAY BRIDGES, 1996, INCLUDING INTERIM SPECIFICATIONS THROUGH 2000, AND THE AASHTO STANDARD SPECIFICATIONS FOR MOVABLE HIGHWAY BRIDGES, 1988, INCLUDING INTERIM SPECIFICATIONS THROUGH 1995.

CONSTRUCTION SPECIFICATIONS: CONSTRUCTION SHALL BE IN ACCORDANCE WITH THE LOUISIANA DEPARTMENT OF TRANSPORTATION AND DEVELOPMENT (DOTD) STANDARD SPECIFICATIONS FOR ROADS AND BRIDGES, 2006, EXCEPT AS SUPPLEMENTED OR AMENDED BY THE PLANS, SUPPLEMENTAL SPECIFICATION AND/OR SPECIAL PROVISIONS.

DESIGN CRITERIA: THE TRAFFIC LANES ON THE NEW PONTOON SPAN WERE DESIGNED BY THE AASHTO SERVICE LOAD DESIGN PROCEDURE. TRAFFIC LANES WERE NOT DESIGNED FOR A FUTURE WEARING SURFACE.

OPERATIONAL DESIGN PARAMETERS: 75 M.P.H. - WIND LOAD
3 M.P.H. - CURRENT
2.5 FT. - WAVE

STORM DESIGN PARAMETERS: 150 M.P.H. - WIND LOAD
5 M.P.H. - CURRENT
4 FT. - WAVE

ORIGINAL

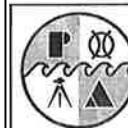
E:\12-DR\04161202 Gulf South Engineers Providence - Dulac Pontoon Bridge Rehabilitation\ACAD\CURRENT\PONTOON BARGE.dwg, NOTES, 3/9/2015 12:59:02 PM

0416-1202

RECORD DRAWING

These compiled engineering as-built record drawings are a compilation of a copy of the original sealed engineering design drawings for this project, modified by addenda, change orders and information furnished by the contractor. The information shown on these compiled engineering as-built record drawings that was provided by the contractor or others not associated with me cannot be verified for accuracy or completeness. My compilation of this information does not relieve the contractor of responsibility for errors resultant to incorrect, incomplete or omitted data on the contractor's as-built record drawings - nor does it relieve the contractor of responsibility for non-conformance with the original contract documents. The original sealed engineering drawings are on file in the offices of Providence Engineering and Design, LLC. The professional engineer was Joseph C. Picciola, II with License Number 25614. (January 5, 2017)

THIS DRAWING AND ALL INFORMATION AND DESIGNS THEREON ARE THE PROPERTY OF PICCIOLA & ASSOCIATES, INC. THIS DRAWING IS CONFIDENTIAL AND MUST NOT BE MADE PUBLIC OR COPIED, REPRODUCED OR USED IN WHOLE OR IN PART WITHOUT PRIOR WRITTEN AUTHORIZATION FROM PICCIOLA & ASSOCIATES, INC. AND IS SUBJECT TO RETURN UPON DEMAND. NO USE OF THIS DRAWING OR ANY INFORMATION OR DESIGNS THEREON IS PERMITTED EXCEPT AS IS SPECIFICALLY AUTHORIZED IN WRITING BY PICCIOLA & ASSOCIATES, INC. ACCEPTANCE OF POSSESSION OF THIS DRAWING CONSTITUTES FULL AGREEMENT WITH THE ABOVE CONDITIONS.



PICCIOLA & ASSOCIATES, INC.
CIVIL ENGINEERS LAND SURVEYORS NAVAL ARCHITECTS MARINE ENGINEERS

P.O. BOX 687
CUT OFF, LOUISIANA 70345
(985) 632-5786

DESIGNED BY: J.C.P. DRAWN BY: S.M.Z. CHECKED BY: J.C.P.

DATE: OCTOBER 22, 2012

SCALE: N/A

**PROVIDENCE/
GSE Associates, LLC**

DULAC PONTOON BRIDGE

GENERAL NOTES

DULAC, LA.

TERREBONNE PARISH

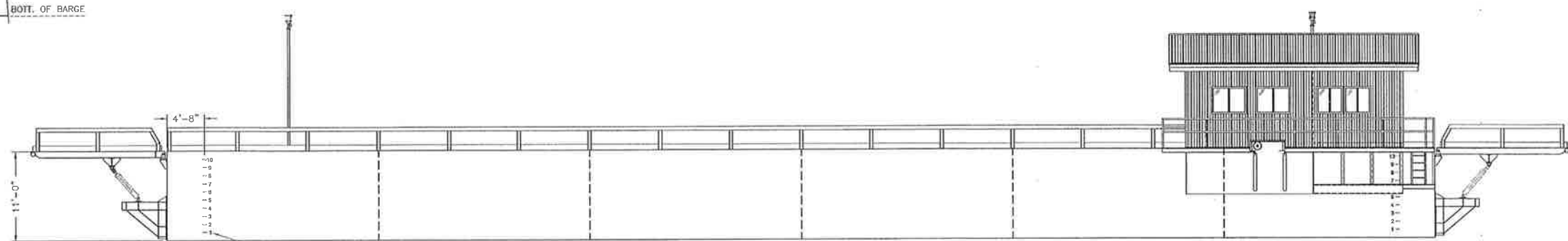
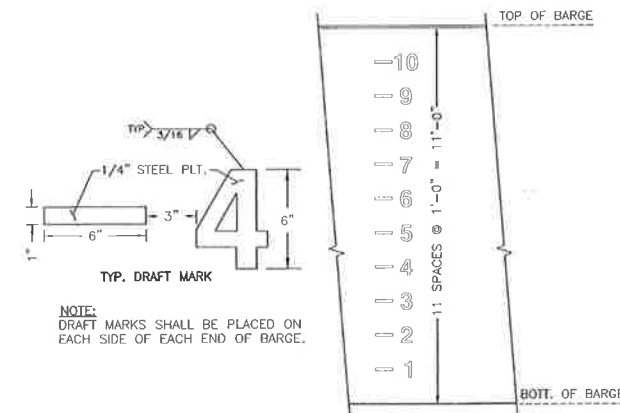
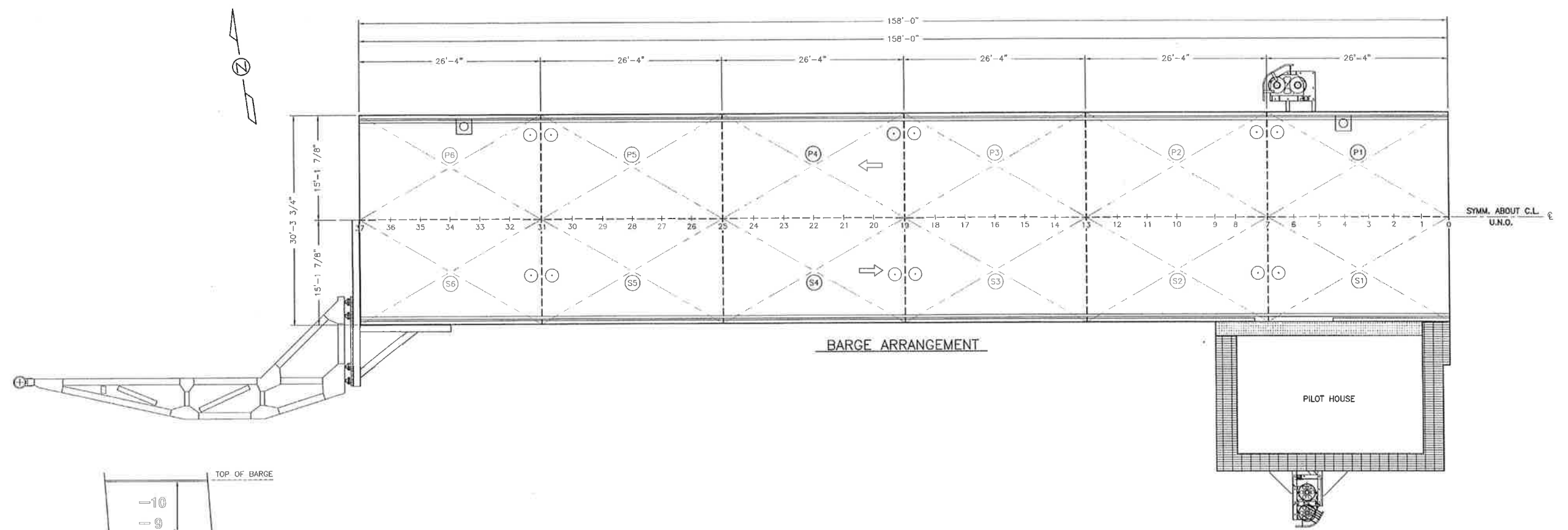
SHEET NO.

S1

1 OF 32

CONFIDENTIAL

E:\12-DRAW\04161202 Gulf South Engineers Providence - Dulac Pontoon Bridge Rehabilitation\ACAD\CURRENT\POINTON BARGE ARR. 8/29/2014 10:29:35 AM




- LEGEND:**
- MANHOLE
 - # TANK NUMBER
 - FLOW OF TRAFFIC
 - NAVIGATION LIGHT
 - WATERTIGHT BULKHEAD

RECORD DRAWING

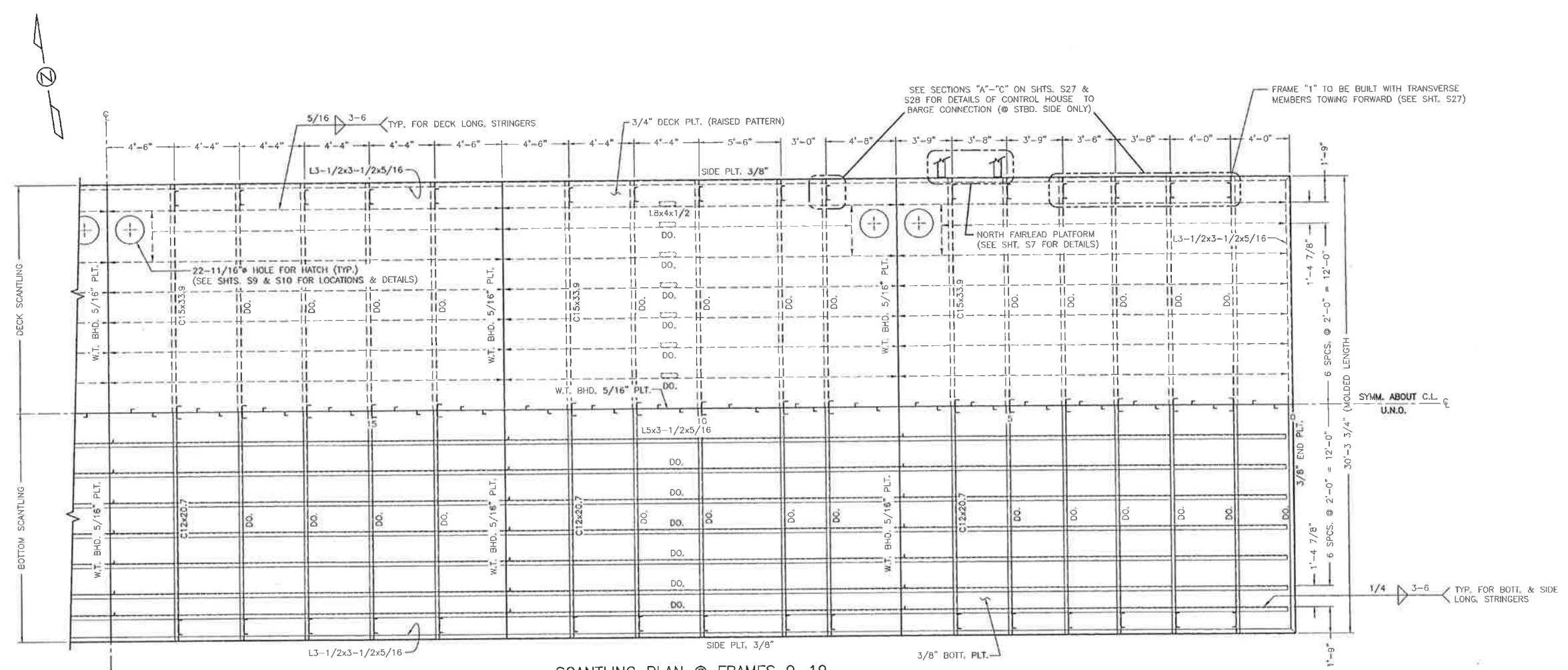
These compiled engineering as-built record drawings are a compilation of a copy of the original sealed engineering design drawings for this project, modified by addenda, change orders and information furnished by the contractor. The information shown on these compiled engineering as-built record drawings that was provided by the contractor or others not associated with me cannot be verified for accuracy or completeness. My compilation of this information does not relieve the contractor of responsibility for errors resultant to incorrect, incomplete or omitted data on the contractor's as-built record drawings - nor does it relieve the contractor of responsibility for non-conformance with the original contract documents. The original sealed engineering drawings are on file in the offices of Providence Engineering and Design, LLC. The professional engineer was Joseph C. Picciola, II with License Number 25614, (January 5, 2017)

THIS DRAWING AND ALL INFORMATION AND DESIGNS THEREON ARE THE PROPERTY OF PICCIOLA & ASSOCIATES, INC. THIS DRAWING IS CONFIDENTIAL AND MUST NOT BE MADE PUBLIC OR COPIED, REPRODUCED OR USED IN WHOLE OR IN PART WITHOUT PRIOR WRITTEN AUTHORIZATION FROM PICCIOLA & ASSOCIATES, INC. AND IS SUBJECT TO RETURN UPON DEMAND. NO USE OF THIS DRAWING OR ANY INFORMATION OR DESIGNS THEREON IS PERMITTED EXCEPT AS IS SPECIALLY AUTHORIZED IN WRITING BY PICCIOLA & ASSOCIATES, INC. ACCEPTANCE OF POSSESSION OF THIS DRAWING CONSTITUTES FULL AGREEMENT WITH THE ABOVE CONDITIONS.

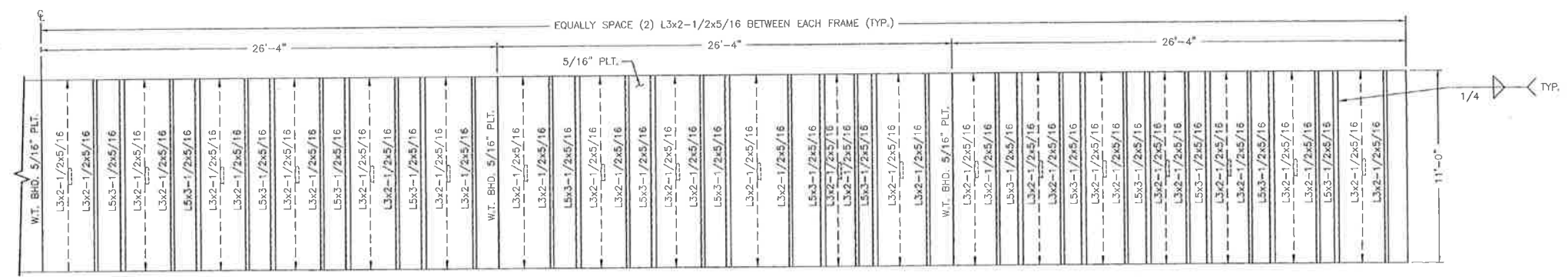
 PICCIOLA & ASSOCIATES, INC. CIVIL ENGINEERS LAND SURVEYORS NAVAL ARCHITECTS MARINE ENGINEERS P.O. BOX 687 CUT OFF, LOUISIANA 70345 (985) 632-5766	DATE: OCTOBER 22, 2012	PROVIDENCE/ GSE Associates, LLC DULAC PONTOON BRIDGE BARGE ARRANGEMENT & OUTBOARD PROFILE DULAC, LA. TERREBONNE PARISH	SHEET NO. S2
	SCALE: 1/8" = 1'-0"		2 OF 32
DESIGNED BY: J.C.P.	DRAWN BY: S.M.Z.	CHECKED BY: J.C.P.	

E:\12-DIR\04161202 Gulf South Engineers Providence - Dulac Pontoon Bridge Rehabilitation\ACAD\CURRENT\POINTOCH BARGE.dwg, SCANTLING - EAST, 8/29/2014 9:39:11 AM

ORIGINAL



SCANTLING PLAN @ FRAMES 0-19



LONG'L BHD. @ C.L.

RECORD DRAWING

These compiled engineering as-built record drawings are a compilation of a copy of the original sealed engineering design drawings for this project, modified by addenda, change orders and information furnished by the contractor. The information shown on these compiled engineering as-built record drawings that was provided by the contractor or others not associated with me cannot be verified for accuracy or completeness. My compilation of this information does not relieve the contractor of responsibility for errors resultant to incorrect, incomplete or omitted data on the contractor's as-built record drawings - nor does it relieve the contractor of responsibility for non-conformance with the original contract documents. The original sealed engineering drawings are on file in the offices of Providence Engineering and Design, LLC. The professional engineer was Joseph C. Picciola, II with License Number 25614. (January 5, 2017)

THIS DRAWING AND ALL INFORMATION AND DESIGNS THEREON ARE THE PROPERTY OF PICCIOLA & ASSOCIATES, INC. THIS DRAWING IS CONFIDENTIAL AND MUST NOT BE MADE PUBLIC OR COPIED, REPRODUCED OR USED IN WHOLE OR IN PART WITHOUT PRIOR WRITTEN AUTHORIZATION FROM PICCIOLA & ASSOCIATES, INC. AND IS SUBJECT TO RETURN UPON DEMAND. NO USE OF THIS DRAWING OR ANY INFORMATION OR DESIGNS THEREON IS PERMITTED EXCEPT AS IS SPECIFICALLY AUTHORIZED BY WRITING BY PICCIOLA & ASSOCIATES, INC. ACCEPTANCE OF POSSESSION OF THIS DRAWING CONSTITUTES FULL AGREEMENT WITH THE ABOVE CONDITIONS.



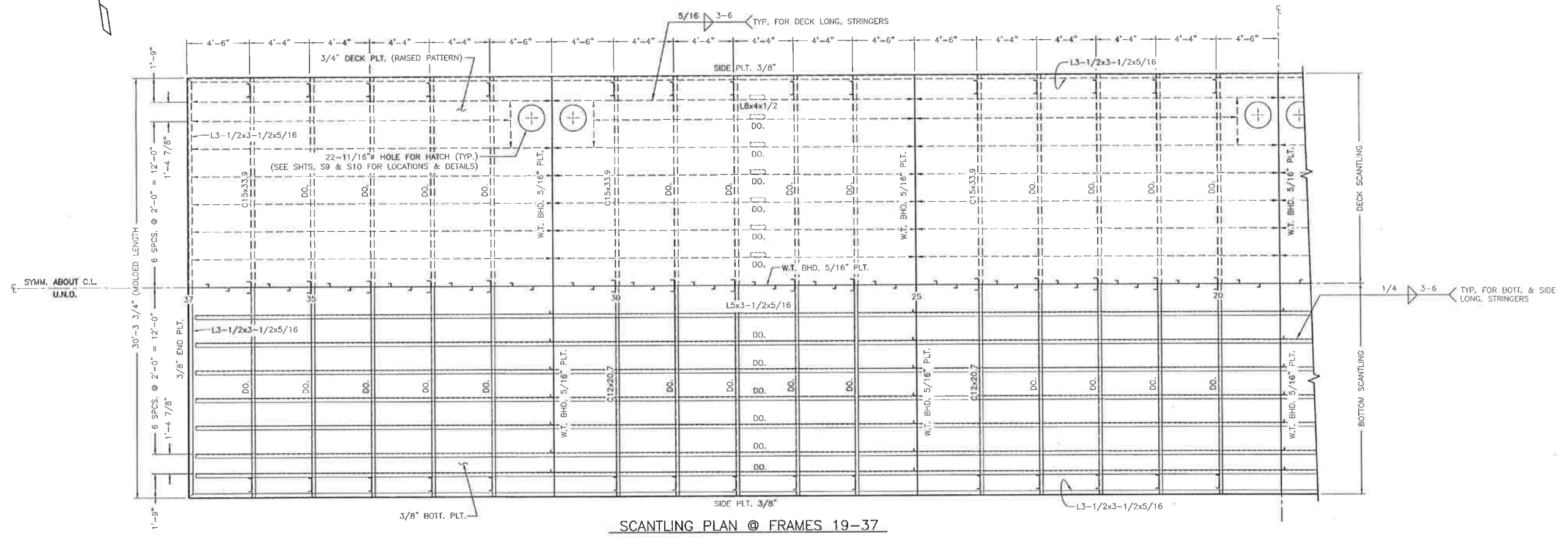
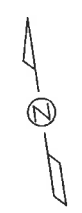
PICCIOLA & ASSOCIATES, INC.
 CIVIL ENGINEERS
 LAND SURVEYORS
 NAVAL ARCHITECTS
 MARINE ENGINEERS
 P.O. BOX 687
 CUT OFF, LOUISIANA 70345
 (985) 632-5786

DESIGNED BY: J.C.P.
 DRAWN BY: S.M.Z.
 CHECKED BY: J.C.P.

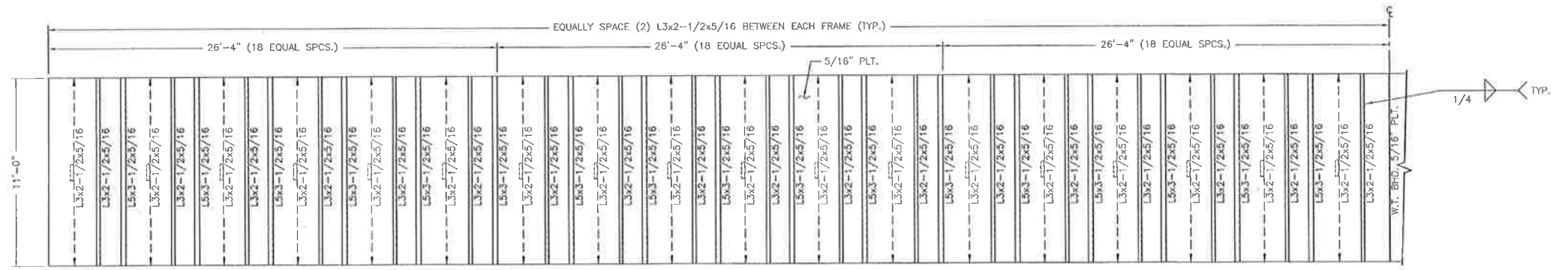
DATE: OCTOBER 22, 2012
 SCALE: 1/4" = 1'-0"

**PROVIDENCE/
 GSE Associates, LLC**
 DULAC PONTOON BRIDGE
 SCANTLING PLAN & LONG'L BULKHEAD @ FRAMES 0-19
 DULAC, LA. TERREBONNE PARISH

SHEET NO. **S3**
 3 OF 32



SCANTLING PLAN @ FRAMES 19-37



LONG'L BHD. @ C.L.

THIS DRAWING AND ALL INFORMATION AND DESIGNS THEREON ARE THE PROPERTY OF PICCIOLA & ASSOCIATES, INC. THIS DRAWING IS CONFIDENTIAL AND MUST NOT BE MADE PUBLIC OR COPIED, REPRODUCED OR USED IN WHOLE OR IN PART WITHOUT PRIOR WRITTEN AUTHORIZATION FROM PICCIOLA & ASSOCIATES, INC. AND IS SUBJECT TO RETURN UPON DEMAND. NO USE OF THIS DRAWING OR ANY INFORMATION OR DESIGN THEREON IS PERMITTED EXCEPT AS IS SPECIFICALLY AUTHORIZED BY WRITING BY PICCIOLA & ASSOCIATES, INC. ACCEPTANCE OF POSSESSION OF THIS DRAWING CONSTITUTES FULL AGREEMENT WITH THE ABOVE CONDITIONS.

RECORD DRAWING

These compiled engineering as-built record drawings are a compilation of a copy of the original sealed engineering design drawings for this project, modified by addenda, change orders and information furnished by the contractor. The information shown on these compiled engineering as-built record drawings that was provided by the contractor or others not associated with me cannot be verified for accuracy or completeness. My compilation of this information does not relieve the contractor of responsibility for errors resultant to incorrect, incomplete or omitted data on the contractor's as-built record drawings - nor does it relieve the contractor of responsibility for non-conformance with the original contract documents. The original sealed engineering drawings are on file in the offices of Providence Engineering and Design, LLC. The professional engineer was Joseph C. Picciola, II with License Number 25614. (January 5, 2017)

PICCIOLA & ASSOCIATES, INC.
 CIVIL ENGINEERS LAND SURVEYORS
 NAVAL ARCHITECTS MARINE ENGINEERS
 P.O. BOX 687
 CUT OFF, LOUISIANA 70345
 (985) 632-5786

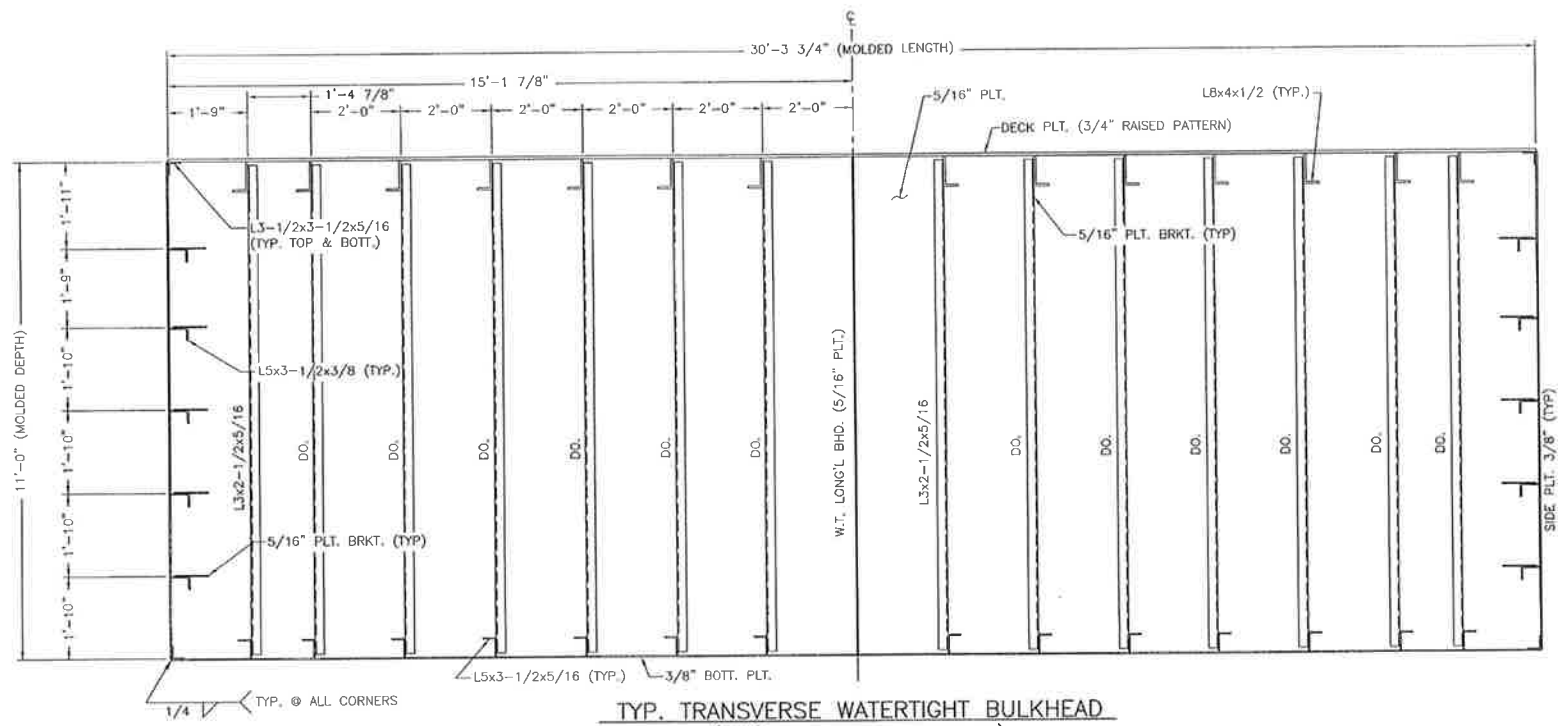
DESIGNED BY: J.C.P.
 DRAWN BY: S.M.Z.
 CHECKED BY: J.C.P.

DATE: OCTOBER 22, 2012
 SCALE: 1/4" = 1'-0"

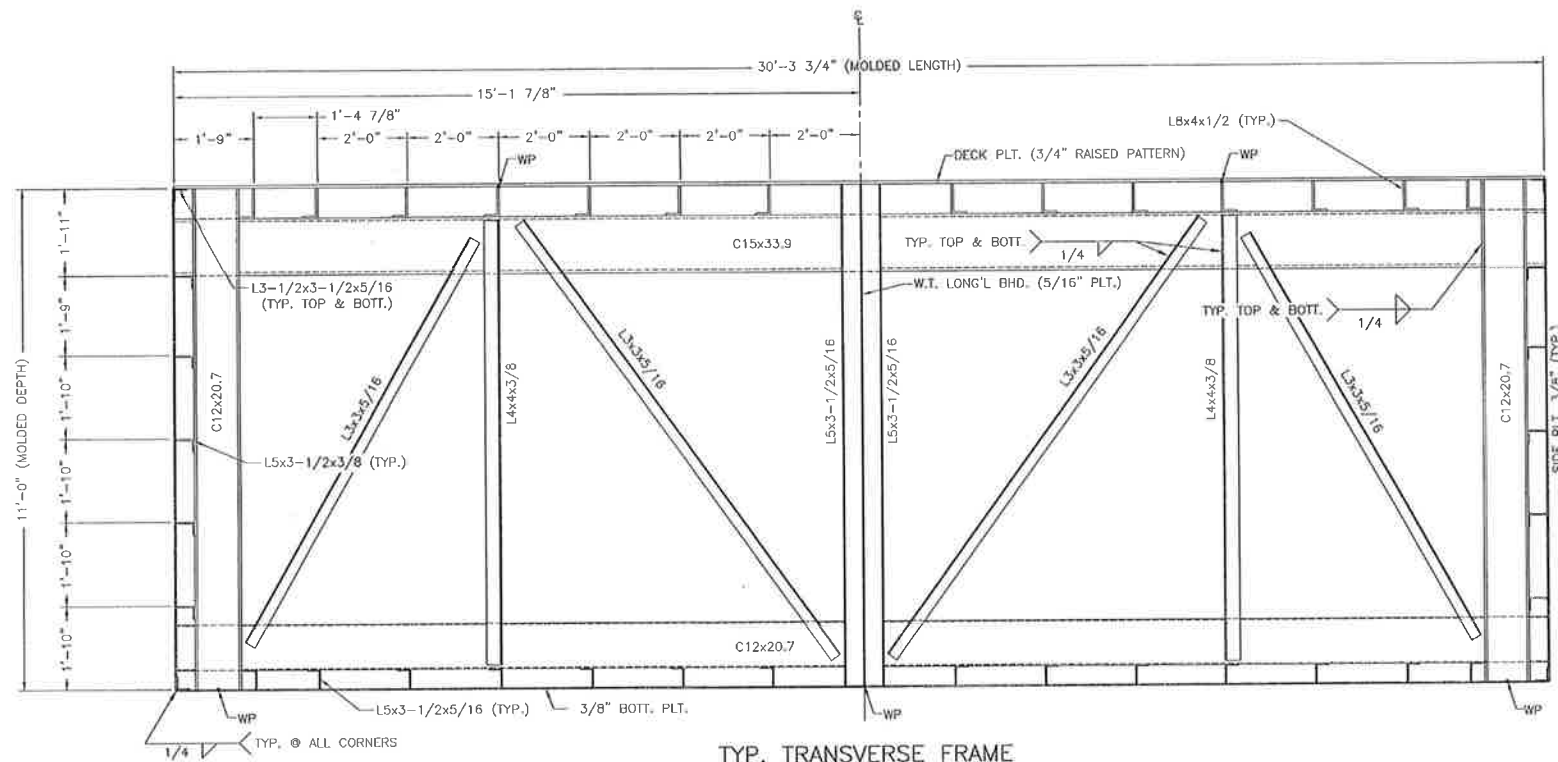
PROVIDENCE/ GSE Associates, LLC
 DULAC PONTOON BRIDGE
 SCANTLING PLAN & LONG'L BULKHEAD @ FRAMES 19-37
 DULAC, LA. TERREBONNE PARISH

SHEET NO. **S4**
 4 OF 32

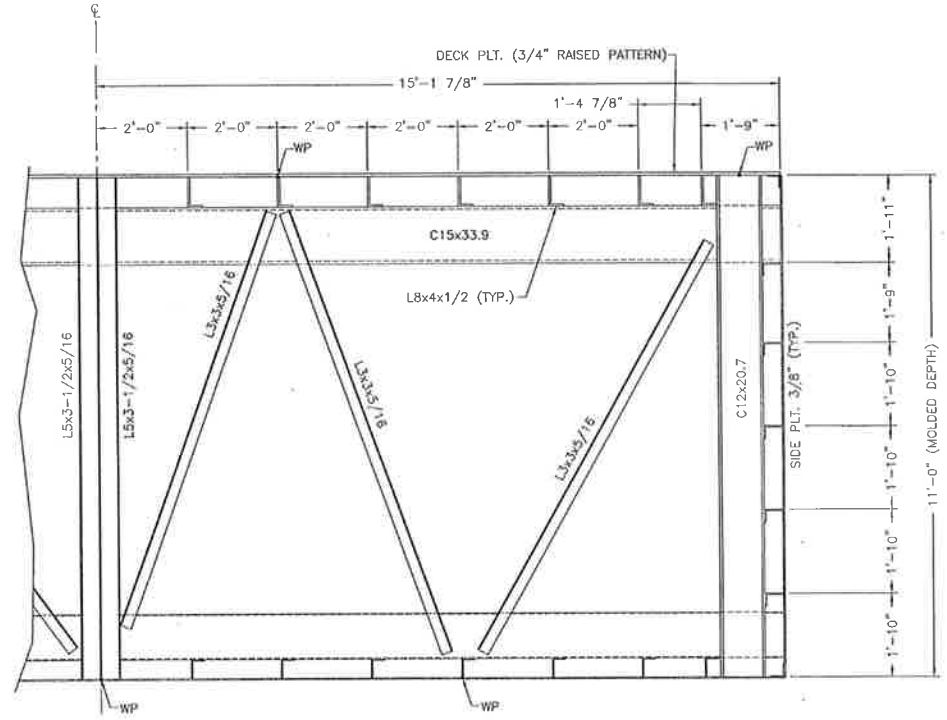
E:\12-DIR\04181202 Gulf South Engineers Providence - Dulac Pontoon Bridge Rehabilitation\ACAD\CURRENT\POINTON BARGE.dwg, TRANSVERSE FRAMES - 1, 8/29/2014 8:40:38 AM



TYP. TRANSVERSE WATERTIGHT BULKHEAD
(LKG. TOWARDS MIDSHIP)
© FRAMES 7,13,19,25, & 31



TYP. TRANSVERSE FRAME
(LKG. TOWARDS MIDSHIP)
© FRAMES 5, 6, 9, 10-12, 14-18, 20-24, 26-30, 32-36




TRANSVERSE FRAME
(LKG. TOWARDS MIDSHIP)
STBD. SIDE @ FRAME 36 ONLY

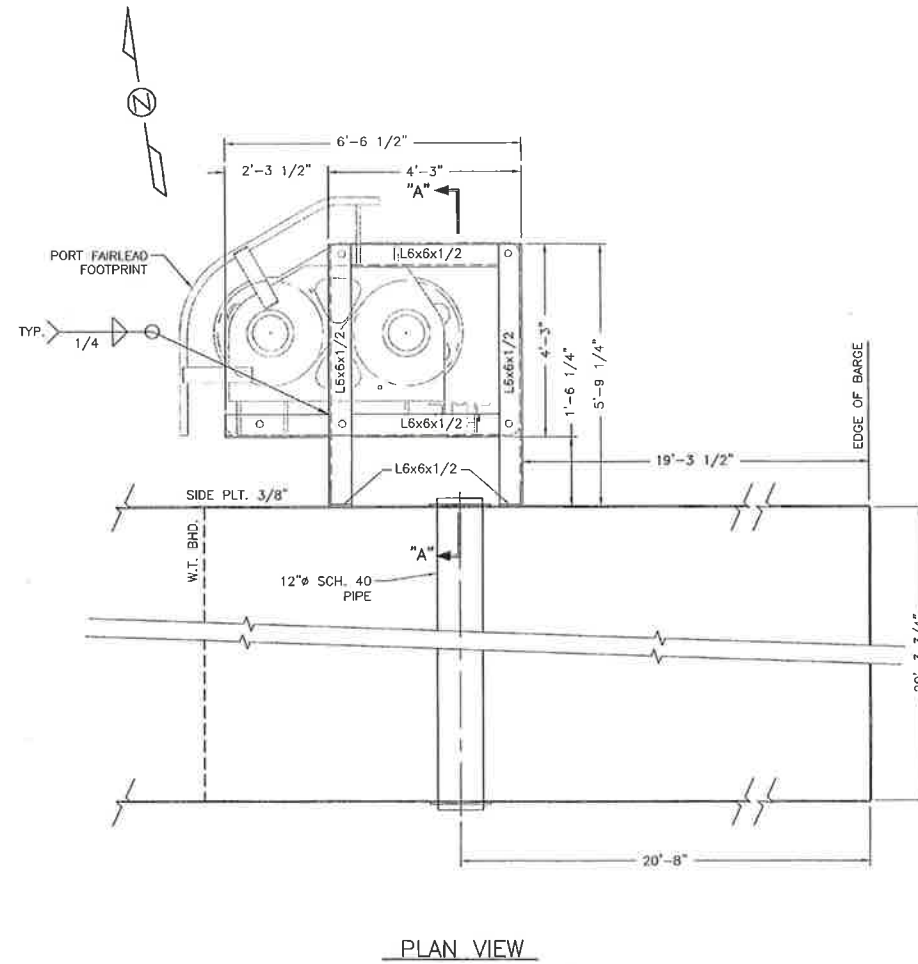
THIS DRAWING AND ALL INFORMATION AND DESIGNS THEREON ARE THE PROPERTY OF PICCIOLA & ASSOCIATES, INC. THIS DRAWING IS CONFIDENTIAL AND MUST NOT BE MADE PUBLIC OR COPIED, REPRODUCED OR USED IN WHOLE OR IN PART WITHOUT PRIOR WRITTEN AUTHORIZATION FROM PICCIOLA & ASSOCIATES, INC. AND IS SUBJECT TO RETURN UPON DEMAND. NO USE OF THIS DRAWING OR ANY INFORMATION OR DESIGNS THEREON IS PERMITTED EXCEPT AS IS SPECIFICALLY AUTHORIZED IN WRITING BY PICCIOLA & ASSOCIATES, INC. ACCEPTANCE OF POSSESSION OF THIS DRAWING CONSTITUTES FULL AGREEMENT WITH THE ABOVE CONDITIONS.

RECORD DRAWING

These compiled engineering as-built record drawings are a compilation of a copy of the original sealed engineering design drawings for this project, modified by addenda, change orders and information furnished by the contractor. The information shown on these compiled engineering as-built record drawings that was provided by the contractor or others not associated with me cannot be verified for accuracy or completeness. My compilation of this information does not relieve the contractor of responsibility for errors resultant to incorrect, incomplete or omitted data on the contractor's as-built record drawings - nor does it relieve the contractor of responsibility for non-conformance with the original contract documents. The original sealed engineering drawings are on file in the offices of Providence Engineering and Design, LLC. The professional engineer was Joseph C. Picciola, II with License Number 25614. (January 5, 2017)

 PICCIOLA & ASSOCIATES, INC. CIVIL ENGINEERS LAND SURVEYORS P.O. BOX 687 CUT OFF, LOUISIANA 70345 (985) 632-5786	DATE: OCTOBER 22, 2012	PROVIDENCE/ GSE Associates, LLC DULAC PONTOON BRIDGE TYP. TRANSVERSE FRAME & BULKHEAD DULAC, LA. TERREBONNE PARISH	SHEET NO. S5
	SCALE: 1/2" = 1'-0"		5 of 32
DESIGNED BY: J.C.P.	DRAWN BY: S.M.Z.	CHECKED BY: J.C.P.	

See Revision
next sheet.

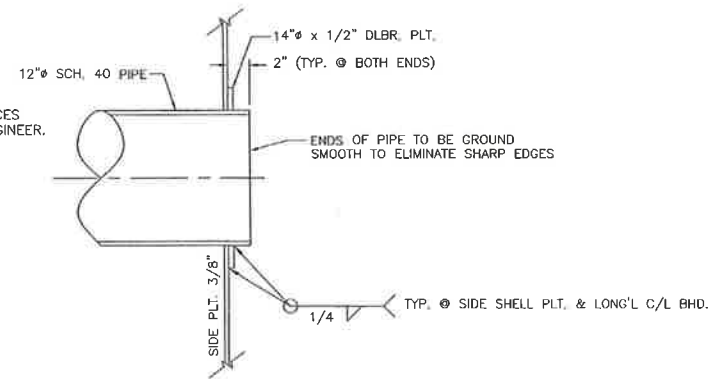


PLAN VIEW

PORT FAIRLEAD PLATFORM

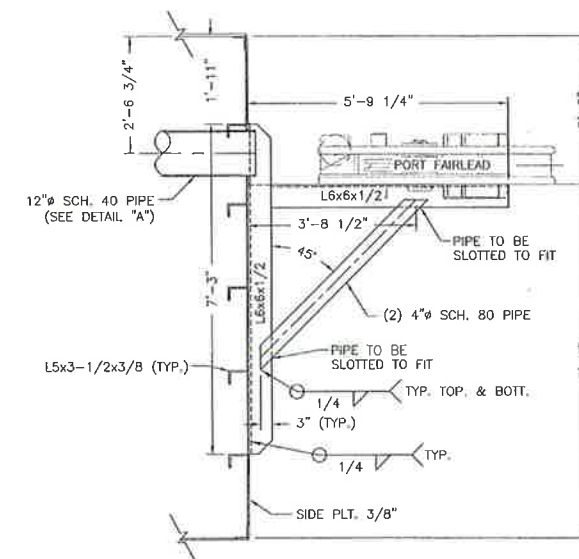
SCALE: 1/2" = 1'-0"

NOTE:
CONTRACTOR TO VERIFY CLEARANCES
AND LOCATION WITH PROJECT ENGINEER.



DETAIL "A"

SCALE: 1 1/2" = 1'-0"



SECTION "A"-"A"

RECORD DRAWING

These compiled engineering as-built record drawings are a compilation of a copy of the original sealed engineering design drawings for this project, modified by omissions, change orders and information furnished by the contractor. The information shown on these compiled engineering as-built record drawings that was provided by the contractor or others not associated with me cannot be verified for accuracy or completeness. My compilation of this information does not relieve the contractor of responsibility for errors resultant to incorrect, incomplete or omitted data on the contractor's as-built record drawings - nor does it relieve the contractor of responsibility for non-conformance with the original contract documents. The original sealed engineering drawings are on file in the offices of Providence Engineering and Design, LLC. The professional engineer was Joseph C. Picciola, II with License Number 25614. (January 5, 2017)

THIS DRAWING AND ALL INFORMATION AND DESIGNS THEREON ARE THE PROPERTY OF PICCIOLA & ASSOCIATES, INC. THIS DRAWING IS CONFIDENTIAL AND MUST NOT BE MADE PUBLIC OR COPIED, REPRODUCED OR USED IN WHOLE OR IN PART WITHOUT PRIOR WRITTEN AUTHORIZATION FROM PICCIOLA & ASSOCIATES, INC. AND IS SUBJECT TO RETURN UPON DEMAND. NO USE OF THIS DRAWING OR ANY INFORMATION OR DESIGNS THEREON IS PERMITTED EXCEPT AS IS SPECIFICALLY AUTHORIZED IN WRITING BY PICCIOLA & ASSOCIATES, INC. ACCEPTANCE OF POSSESSION OF THIS DRAWING CONSTITUTES FULL AGREEMENT WITH THE ABOVE CONDITIONS.



PICCIOLA & ASSOCIATES, INC.
CIVIL ENGINEERS
LAND SURVEYORS
NAVAL ARCHITECTS
MARINE ENGINEERS
P.O. BOX. 687
CUT OFF, LOUISIANA 70345
(985) 632-5786

DESIGNED BY: J.C.P.
DRAWN BY: S.M.Z.
CHECKED BY: J.C.P.

DATE:
OCTOBER 22, 2012

SCALE:
AS SHOWN

PROVIDENCE/
GSE Associates, LLC

DULAC PONTOON BRIDGE
PORT FAIRLEAD PLATFORM

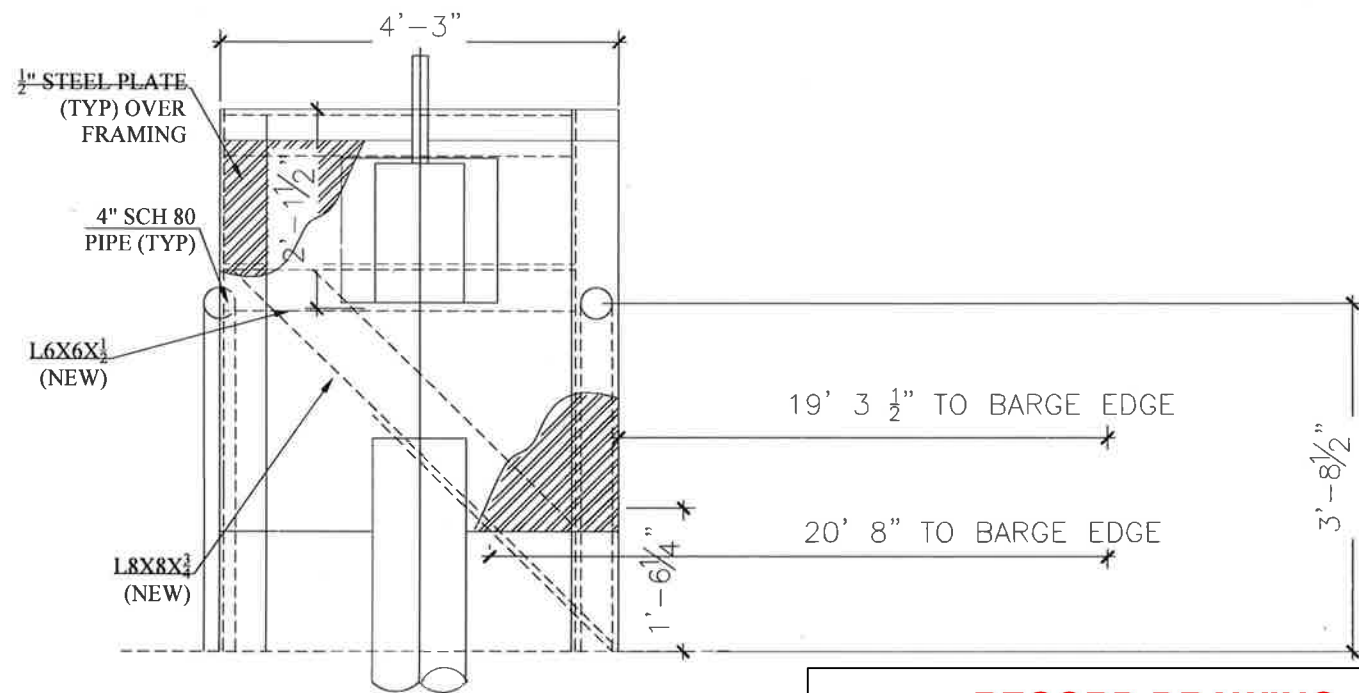
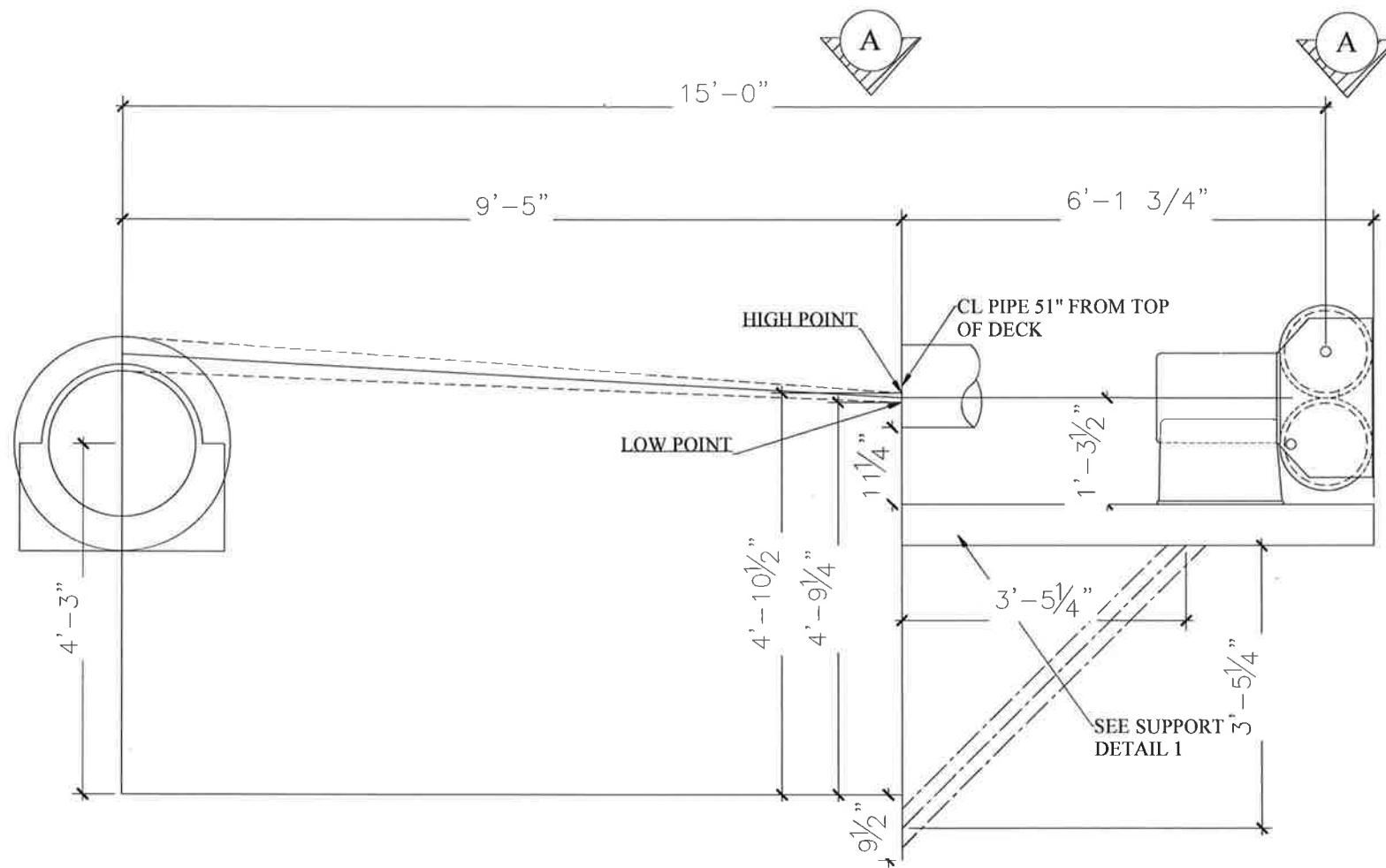
DULAC, LA.

SHEET NO.

S7

7 of 32

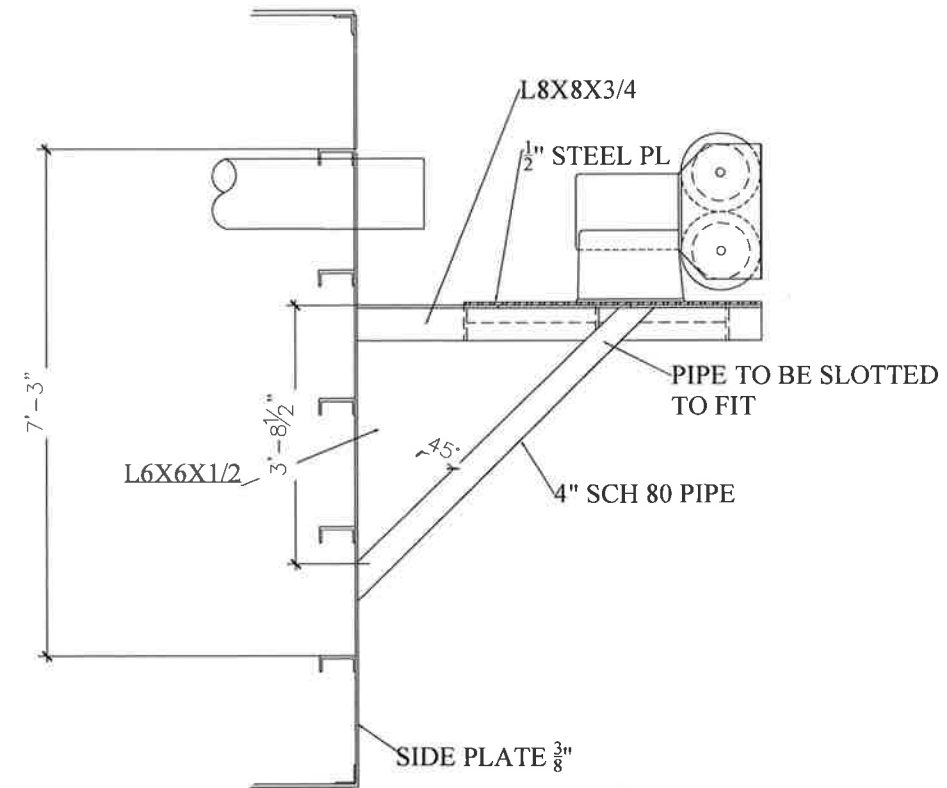
TERREBONNE PARISH



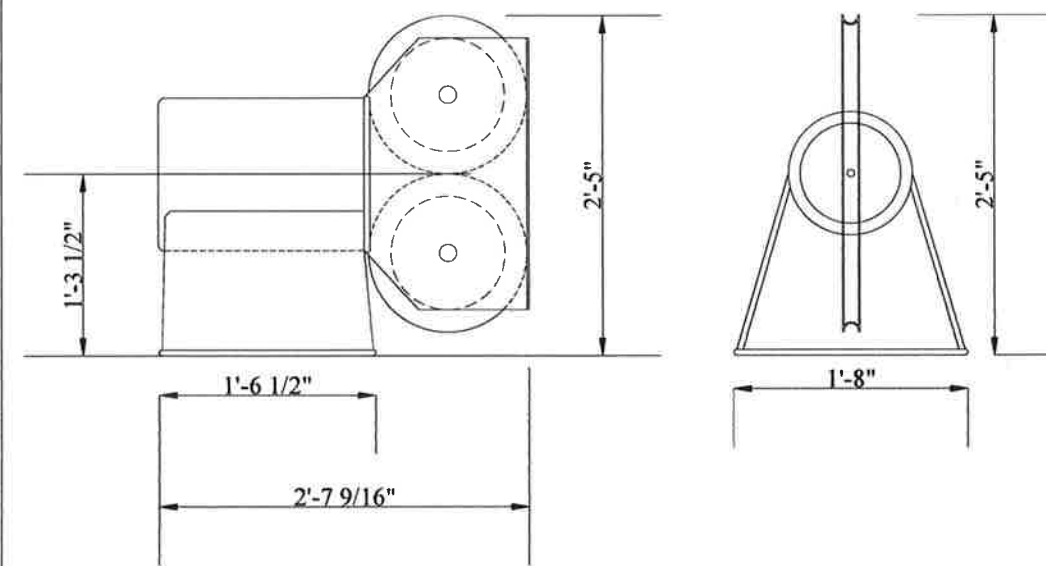
SECTION AA

RECORD DRAWING

These compiled engineering as-built record drawings are a compilation of a copy of the original sealed engineering design drawings for this project, modified by addenda, change orders and information furnished by the contractor. The information shown on these compiled engineering as-built record drawings that was provided by the contractor or others not associated with me cannot be verified for accuracy or completeness. My compilation of this information does not relieve the contractor of responsibility for errors resultant to incorrect, incomplete or omitted data on the contractor's as-built record drawings - nor does it relieve the contractor of responsibility for non-conformance with the original contract documents. The original sealed engineering drawings are on file in the offices of Providence Engineering and Design, LLC. The professional engineer was Joseph C. Picciola, II with License Number 25614. (January 5, 2017)



SUPPORT DETAIL 1



SMITH BERGER MD 2614

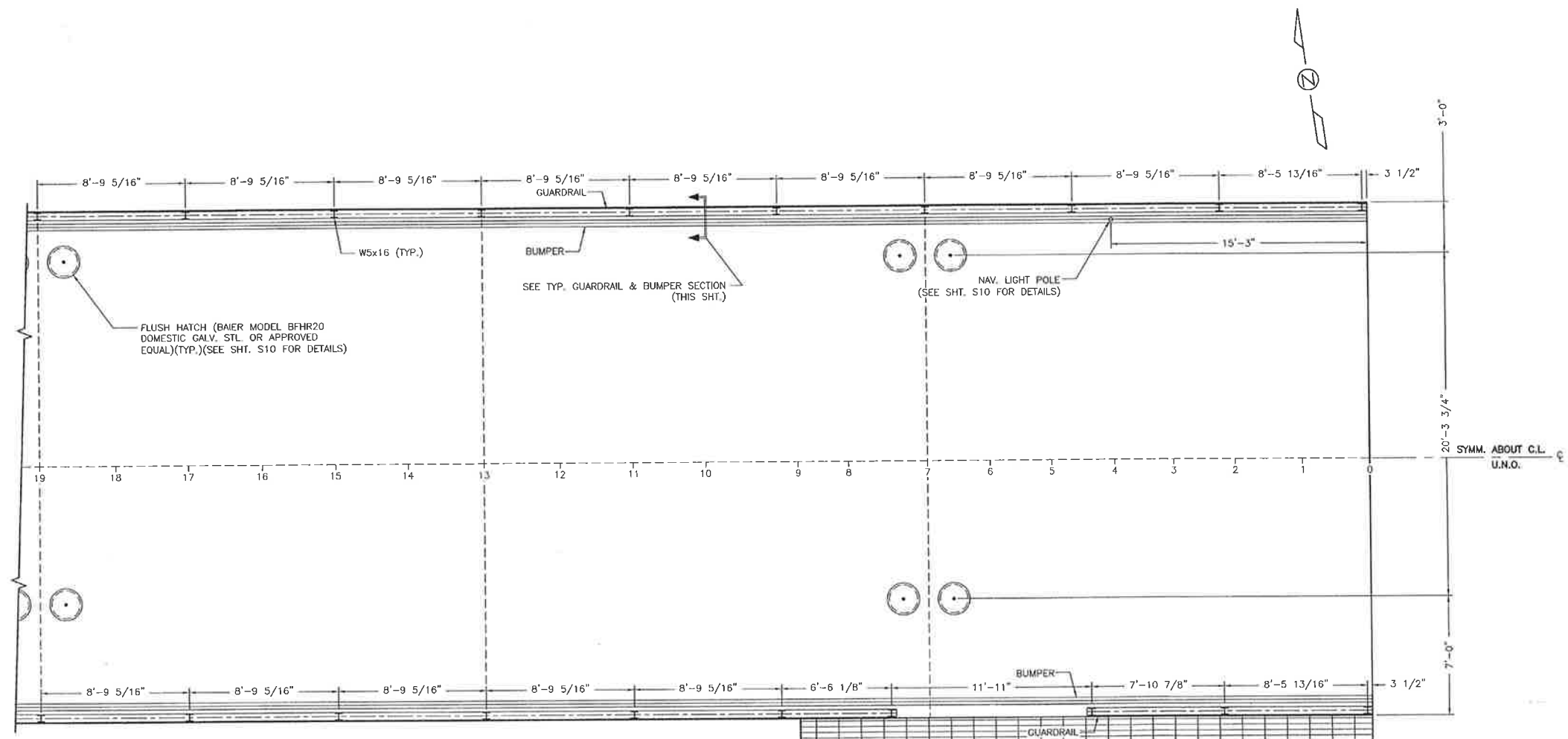
REVISION	BY
PRELIMINARY	<input type="checkbox"/>
HIDDING	<input type="checkbox"/>
CONSTRUCTION	<input type="checkbox"/>

ENGINEERING BY
David R. O'Reilly Engineering
 Consultants LLC
 518 S RAMPART ST.
 New Orleans, Louisiana 70113
 (504) 261-4760
 Lic# 34032

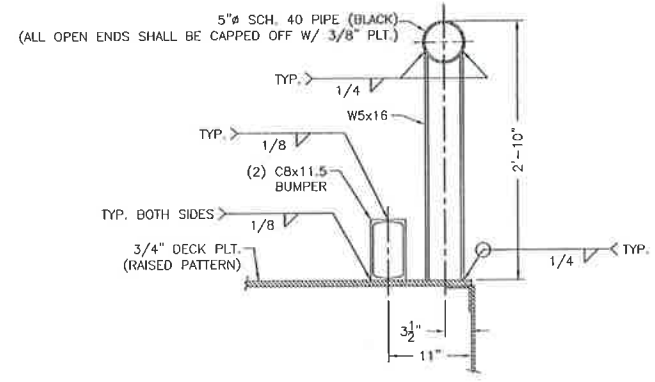
PREPARED FOR:
Sealevel Construction, Inc.
 1069 Hwy 3185
 Thibodaux, LA 70301

DRAWN	
DOR	
CHECKED	
DATE	4-12-15
SCALE	NTS
JOB NUMBER	
SHEET	

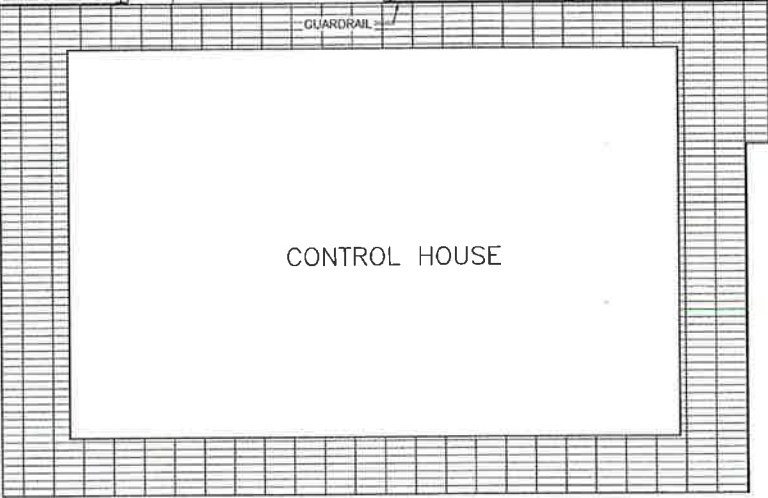
E:\12-DRAW\04161202 Gulf South Engineers Providence - Dulac Pontoon Bridge Rehabilitation\ACAD\CURRENT\PONTOON BARGE.dwg, BARGE GRDRAIL - E, 8/29/2014 8:45:59 AM



BARGE GUARDRAIL & MANHOLE LAYOUT @ FRAMES 0-19
SCALE: 1/4" = 1'-0"



TYP. GUARDRAIL & BUMPER SECTION
SCALE: 1" = 1'-0"



CONTROL HOUSE

See S8 Rev. 1

STRUCTURAL STEEL NOTES:

1. CONTRACTOR SHALL VERIFY ALL DIMENSIONS PRIOR TO BEGINNING CONSTRUCTION OF GUARDRAILS.
2. ALL STRUCTURAL AND MISCELLANEOUS STEEL SHALL BE ASTM A709 GRADE 36 UNLESS DESIGNATED IN PLANS OTHERWISE. PIPE SHALL CONFORM WITH ASTM A53 TYPE E, GRADE B.
3. ALL WELDS TO BE STANDARD FILLET WELDS CONFORMING TO THE REQUIREMENTS OF AWS D1.1. NO FIELD WELDING SHALL BE CONDUCTED UNLESS NOTED OTHERWISE.

THIS DRAWING AND ALL INFORMATION AND DESIGNS THEREON ARE THE PROPERTY OF PICCIOLA & ASSOCIATES, INC. THIS DRAWING IS CONFIDENTIAL AND MUST NOT BE MADE PUBLIC OR COPIED, REPRODUCED OR USED IN WHOLE OR IN PART WITHOUT PRIOR WRITTEN AUTHORIZATION FROM PICCIOLA & ASSOCIATES, INC. AND IS SUBJECT TO RETURN UPON DEMAND. NO USE OF THIS DRAWING OR ANY INFORMATION OR DESIGNS THEREON IS PERMITTED EXCEPT AS IS SPECIFICALLY AUTHORIZED IN WRITING BY PICCIOLA & ASSOCIATES, INC. ACCEPTANCE OF POSSESSION OF THIS DRAWING CONSTITUTES FULL AGREEMENT WITH THE ABOVE CONDITIONS.

RECORD DRAWING

These compiled engineering as-built record drawings are a compilation of a copy of the original sealed engineering design drawings for this project, modified by addenda, change orders and information furnished by the contractor. The information shown on these compiled engineering as-built record drawings that was provided by the contractor or others not associated with me cannot be verified for accuracy or completeness. My compilation of this information does not relieve the contractor of responsibility for errors resultant to incorrect, incomplete or omitted data on the contractor's as-built record drawings - nor does it relieve the contractor of responsibility for non-conformance with the original contract documents. The original sealed engineering drawings are on file in the offices of Providence Engineering and Design, LLC. The professional engineer was Joseph C. Picciola, II with License Number 25614. (January 5, 2017)



PICCIOLA & ASSOCIATES, INC.
CIVIL ENGINEERS
LAND SURVEYORS
NAVAL ARCHITECTS
MARINE ENGINEERS
P.O. BOX 687
CUT OFF, LOUISIANA 70345
(985) 632-5786

DESIGNED BY: J.C.P.
DRAWN BY: S.M.Z.
CHECKED BY: J.C.P.

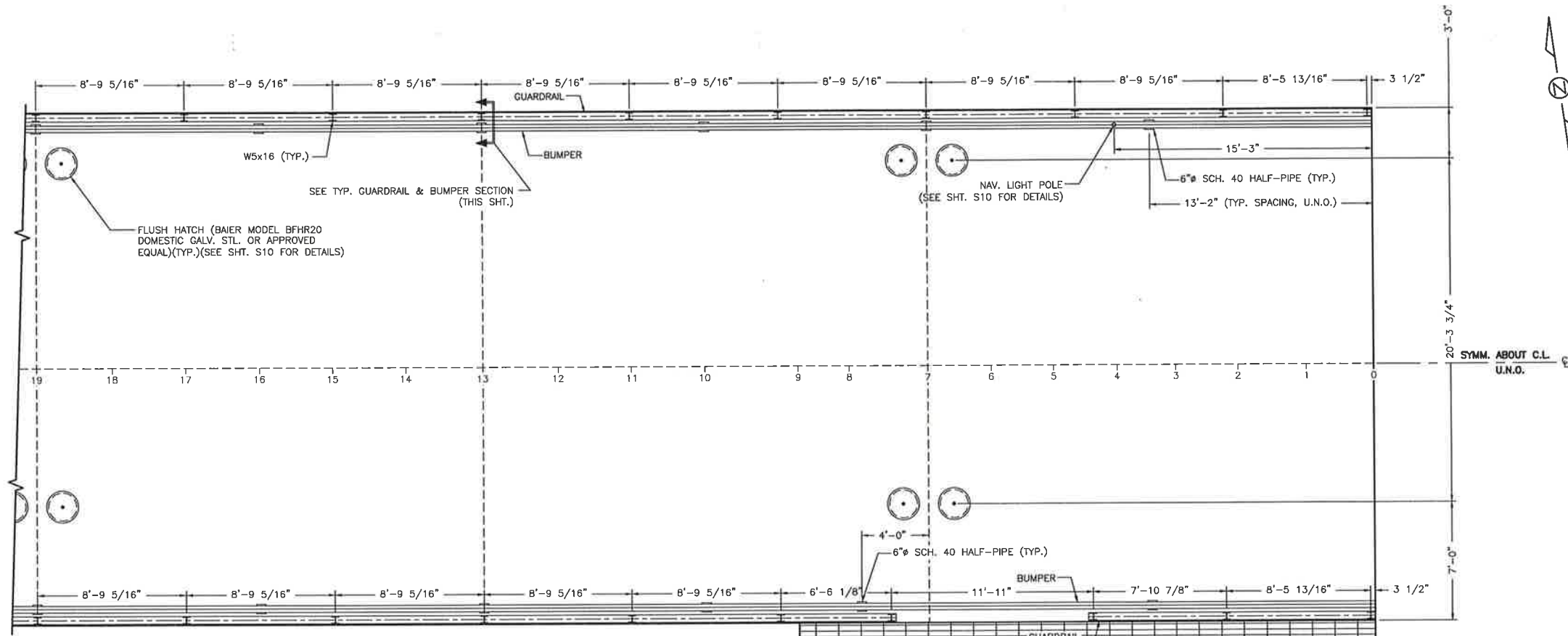
DATE:
OCTOBER 22, 2012
SCALE:
AS SHOWN

**PROVIDENCE/
GSE Associates, LLC**

DULAC PONTOON BRIDGE
BARGE GUARDRAIL & MANHOLE LAYOUT @ FRAMES 0-19
DULAC, LA. TERREBONNE PARISH

SHEET NO.
8
OF
32

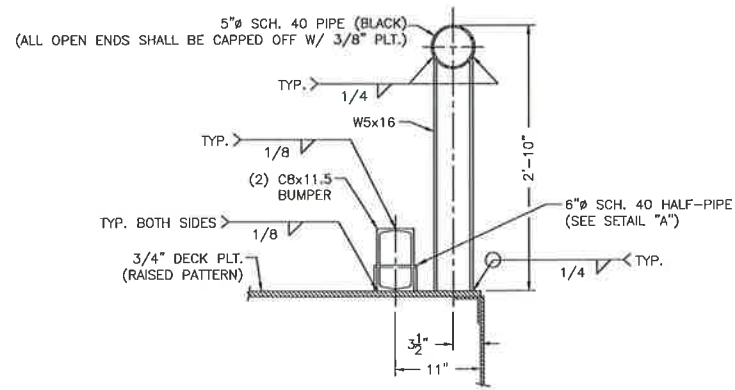
E:\12-DR\04-16-1202 Gulf South Engineers Providence - Dulac Pontoon Bridge Rehabilitation\ACAD\CURRENT\POINT\TOON\BARGE.dwg, BARGE GRDRAIL - E, 3/1/2016 9:18:02 AM



BARGE GUARDRAIL & MANHOLE LAYOUT @ FRAMES 0-19

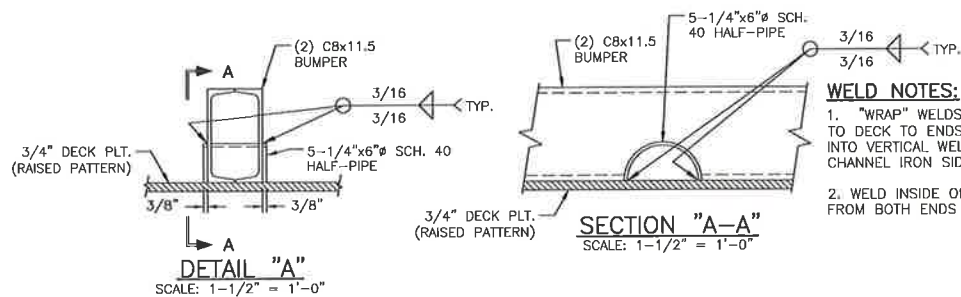
SCALE: 1/4" = 1'-0"

CONTROL HOUSE



TYP. GUARDRAIL & BUMPER SECTION

SCALE: 1" = 1'-0"



DETAIL "A"

SCALE: 1-1/2" = 1'-0"

WELD NOTES:

- "WRAP" WELDS INSIDE OF HALF-PIPE TO DECK TO ENDS OF HALF-PIPE & TIE INTO VERTICAL WELDS OF HALF PIPE TO CHANNEL IRON SIDES.
- WELD INSIDE OF PIPE TO DECK PLT. FROM BOTH ENDS OF PIPE

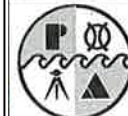
STRUCTURAL STEEL NOTES:

- CONTRACTOR SHALL VERIFY ALL DIMENSIONS PRIOR TO BEGINNING CONSTRUCTION OF GUARDRAILS.
- ALL STRUCTURAL AND MISCELLANEOUS STEEL SHALL BE ASTM A709 GRADE 36 UNLESS DESIGNATED IN PLANS OTHERWISE. PIPE SHALL CONFORM WITH ASTM A53 TYPE E, GRADE B.
- ALL WELDS TO BE STANDARD FILLET WELDS CONFORMING TO THE REQUIREMENTS OF AWS D1.1. NO FIELD WELDING SHALL BE CONDUCTED UNLESS NOTED OTHERWISE.

THIS DRAWING AND ALL INFORMATION AND DESIGNS THEREON ARE THE PROPERTY OF PICCIOLA & ASSOCIATES, INC. THIS DRAWING IS CONFIDENTIAL AND MUST NOT BE MADE PUBLIC OR COPIED, REPRODUCED OR USED IN WHOLE OR IN PART WITHOUT PRIOR WRITTEN AUTHORIZATION FROM PICCIOLA & ASSOCIATES, INC. AND IS SUBJECT TO RETURN UPON DEMAND. NO USE OF THIS DRAWING OR ANY INFORMATION OR DESIGNS THEREON IS PERMITTED EXCEPT AS IS SPECIFICALLY AUTHORIZED IN WRITING BY PICCIOLA & ASSOCIATES, INC. ACCEPTANCE OF POSSESSION OF THIS DRAWING CONSTITUTES FULL AGREEMENT WITH THE ABOVE CONDITIONS.

RECORD DRAWING

These compiled engineering as-built record drawings are a compilation of a copy of the original sealed engineering design drawings for this project, modified by addenda, change orders and information furnished by the contractor. The information shown on these compiled engineering as-built record drawings that was provided by the contractor or others not associated with me cannot be verified for accuracy or completeness. My compilation of this information does not relieve the contractor of responsibility for errors resultant to incorrect, incomplete or omitted data on the contractor's as-built record drawings - nor does it relieve the contractor of responsibility for non-conformance with the original contract documents. The original sealed engineering drawings are on file in the offices of Providence Engineering and Design, LLC. The professional engineer was Joseph C. Picciola, II with License Number 25614. (January 5, 2017)



PICCIOLA & ASSOCIATES, INC.

CIVIL ENGINEERS LAND SURVEYORS NAVAL ARCHITECTS MARINE ENGINEERS

P.O. BOX 687
CUT OFF, LOUISIANA 70345
(985) 632-5766

DESIGNED BY:
J.C.P.

DRAWN BY:
S.M.Z.

CHECKED BY:
J.C.P.

DATE:
OCTOBER 22, 2012

SCALE:
AS SHOWN

**PROVIDENCE/
GSE Associates, LLC**

DULAC PONTOON BRIDGE
BARGE GUARDRAIL & MANHOLE LAYOUT @ FRAMES 0-19

DULAC, LA.

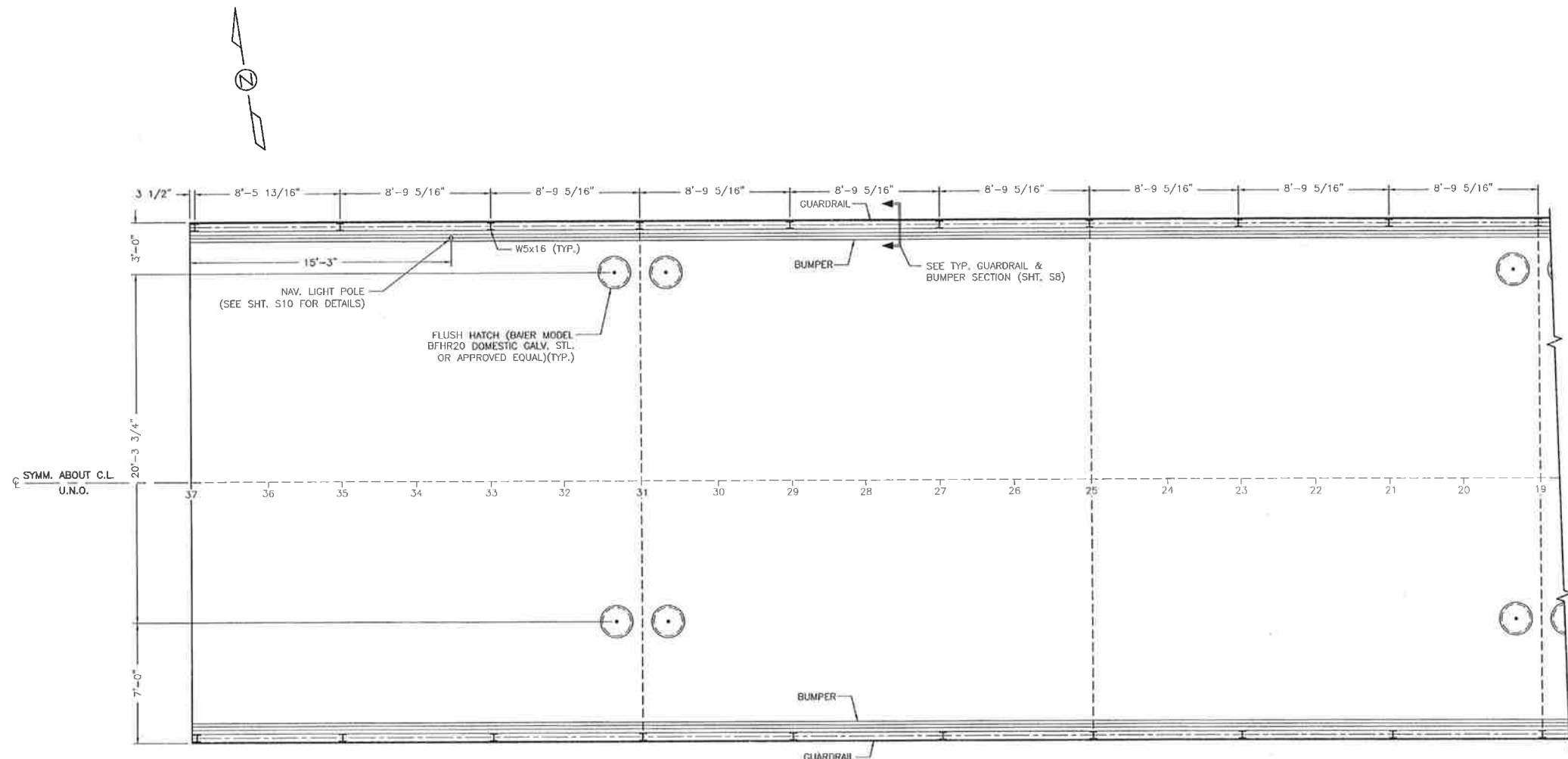
TERREBONNE PARISH

SHEET NO.

S8

8 OF 32

E:\12-DIR\04161202 Gulf South Engineers Providence - Dulac Pontoon Bridge - Dulac Pontoon Bridge - Current\PTOON BARGE.dwg, BARGE GRDRAIL - W, 6/25/2014 8:45:39 AM

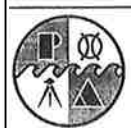


BARGE GUARDRAIL & MANHOLE LAYOUT @ FRAMES 19-37
SCALE: 1/4" = 1'-0"

THIS DRAWING AND ALL INFORMATION AND DESIGNS THEREON ARE THE PROPERTY OF PICCIOLA & ASSOCIATES, INC. THIS DRAWING IS CONFIDENTIAL AND MUST NOT BE MADE PUBLIC OR COPIED, REPRODUCED OR USED IN WHOLE OR IN PART WITHOUT PRIOR WRITTEN AUTHORIZATION FROM PICCIOLA & ASSOCIATES, INC. AND IS SUBJECT TO RETURN UPON DEMAND. NO USE OF THIS DRAWING OR ANY INFORMATION OR DESIGNS THEREON IS PERMITTED EXCEPT AS IS SPECIFICALLY AUTHORIZED IN WRITING BY PICCIOLA & ASSOCIATES, INC. ACCEPTANCE OF POSSESSION OF THIS DRAWING CONSTITUTES FULL AGREEMENT WITH THE ABOVE CONDITIONS.

RECORD DRAWING

These compiled engineering as-built record drawings are a compilation of a copy of the original sealed engineering design drawings for this project, modified by addenda, change orders and information furnished by the contractor. The information shown on these compiled engineering as-built record drawings that was provided by the contractor or others not associated with me cannot be verified for accuracy or completeness. My compilation of this information does not relieve the contractor of responsibility for errors resultant to incorrect, incomplete or omitted data on the contractor's as-built record drawings - nor does it relieve the contractor of responsibility for non-conformance with the original contract documents. The original sealed engineering drawings are on file in the offices of Providence Engineering and Design, LLC. The professional engineer was Joseph C. Picciola, II with License Number 25614. (January 5, 2017)



PICCIOLA & ASSOCIATES, INC.
CIVIL ENGINEERS
LAND SURVEYORS
NAVAL ARCHITECTS
MARINE ENGINEERS
P.O. BOX 687
CUT OFF, LOUISIANA 70345
(985) 632-5786

DESIGNED BY: J.C.P.
DRAWN BY: S.M.Z.
CHECKED BY: J.C.P.

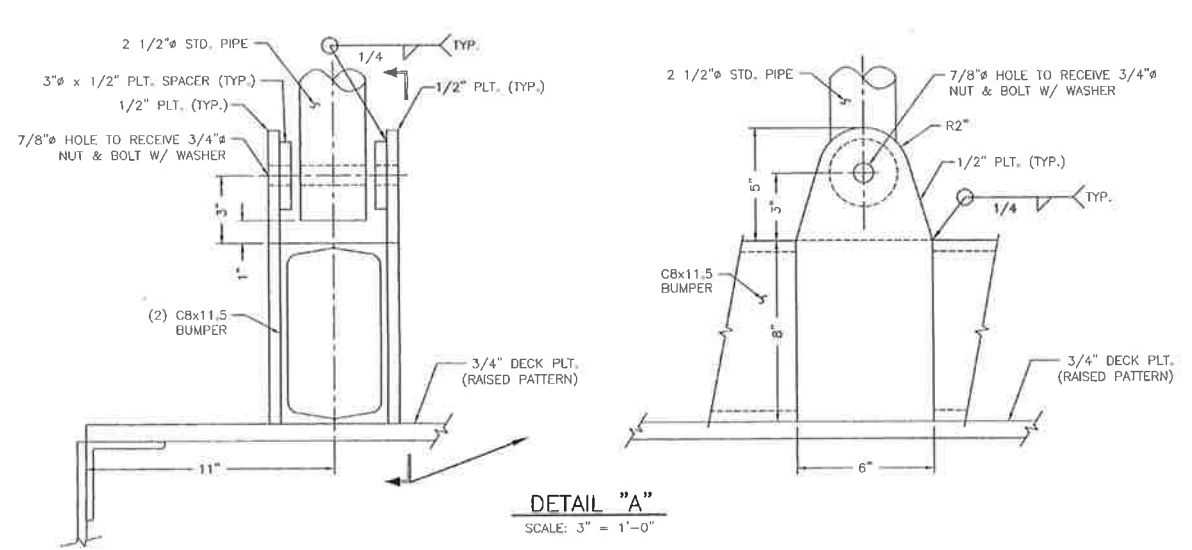
DATE:
OCTOBER 22, 2012
SCALE:
AS SHOWN

**PROVIDENCE/
GSE Associates, LLC**

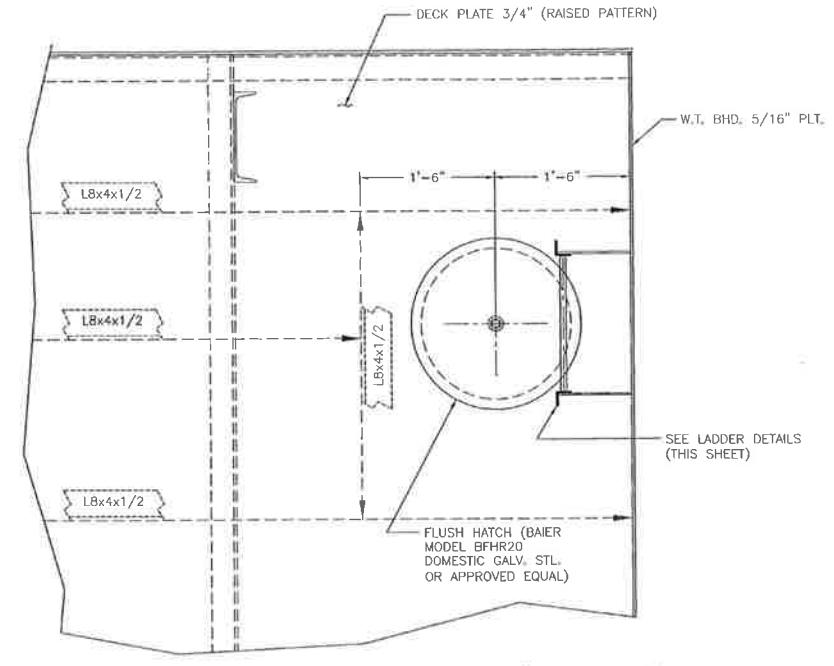
DULAC PONTOON BRIDGE
BARGE GUARDRAIL & MANHOLE LAYOUT @ FRAMES 19-37
DULAC, LA. TERREBONNE PARISH

SHEET NO.
S9
9 of 32

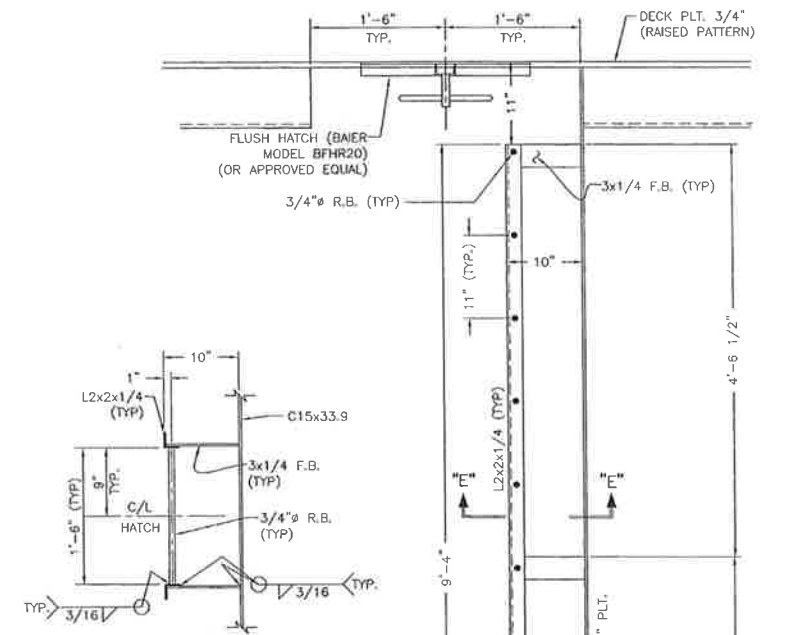
E:\12-DRAW\14161202 Gulf South Engineers Providence - Dulac Pontoon Bridge\14161202 CURR\REV\PORTON BRIDGE.dwg, GRIDAIL MINHOLE LADDER DET, 8/29/2014 8:47:39 AM



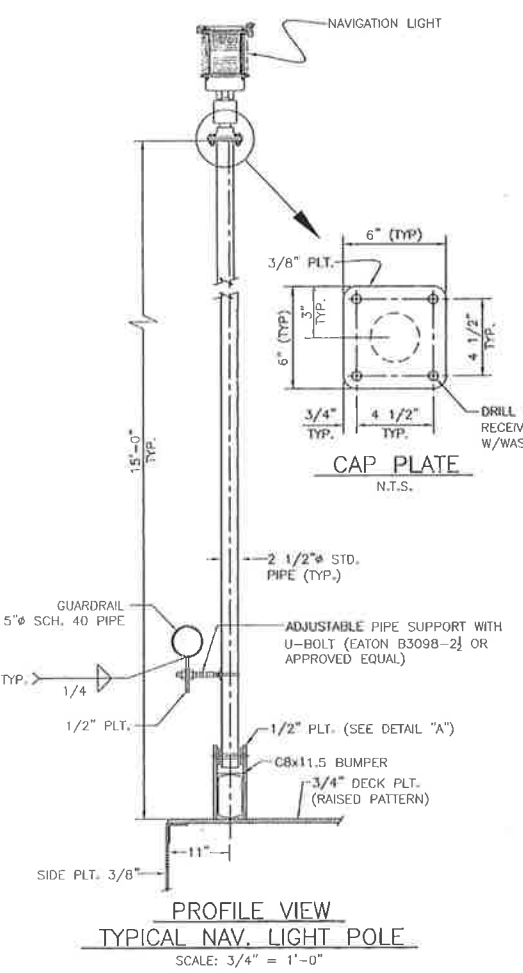
DETAIL "A"
SCALE: 3" = 1'-0"



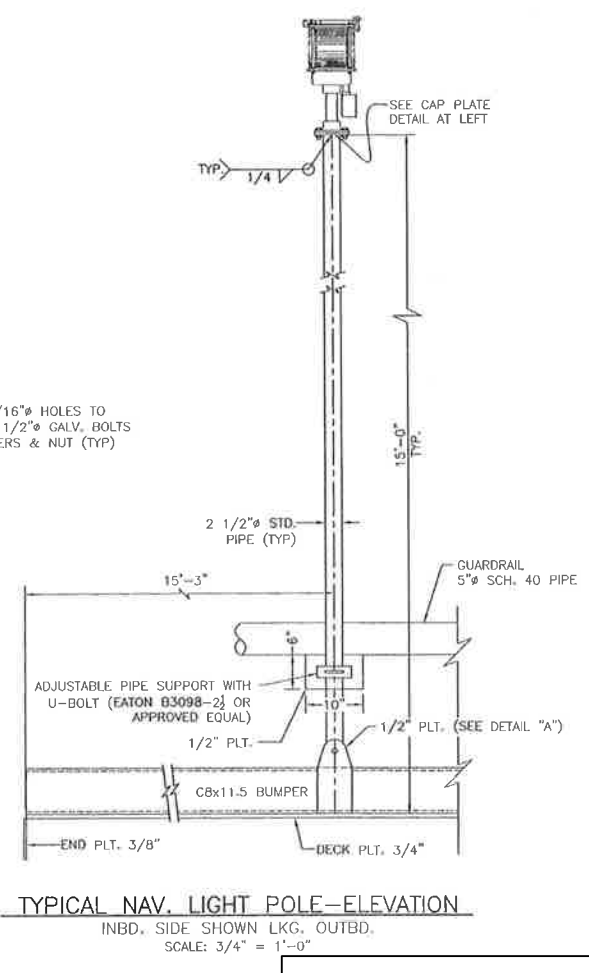
TYP. ACCESS HATCH-PLAN (PORT SIDE)
TYP. ON EACH SIDE OF W.T. BHD.
SCALE: 1" = 1'-0"



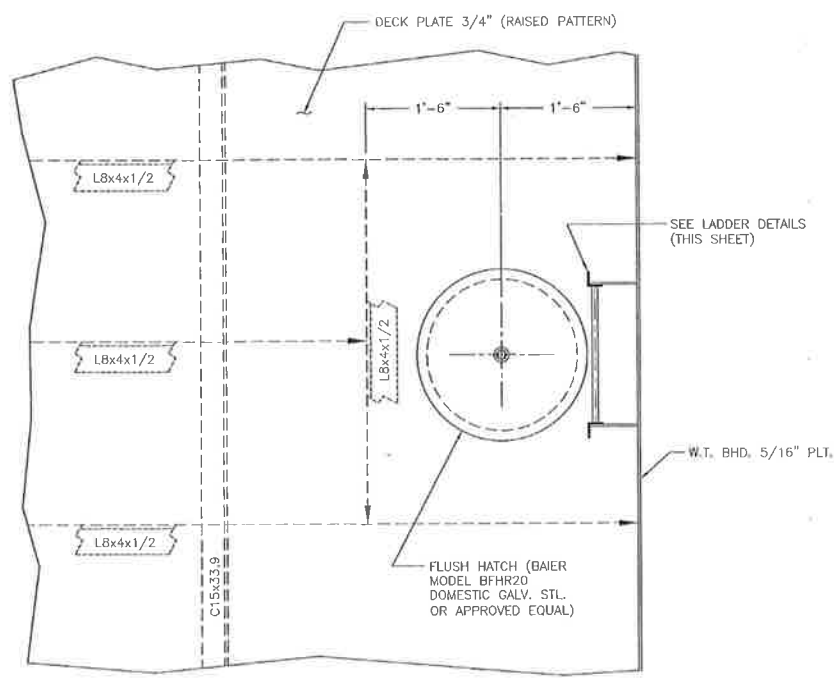
SECTION "E"- "E"
TYPICAL HATCH ACCESS LADDER
SCALE: 1" = 1'-0"



PROFILE VIEW TYPICAL NAV. LIGHT POLE
SCALE: 3/4" = 1'-0"



TYPICAL NAV. LIGHT POLE-ELEVATION
INBD, SIDE SHOWN LKG. OUTBD.
SCALE: 3/4" = 1'-0"




TYP. ACCESS HATCH-PLAN (STBD. SIDE)
TYP. ON EACH SIDE OF W.T. BHD.
SCALE: 1" = 1'-0"

TYP. HATCH ACCESS LADDER-ELEVATION VIEW
SCALE: 1" = 1'-0"

RECORD DRAWING

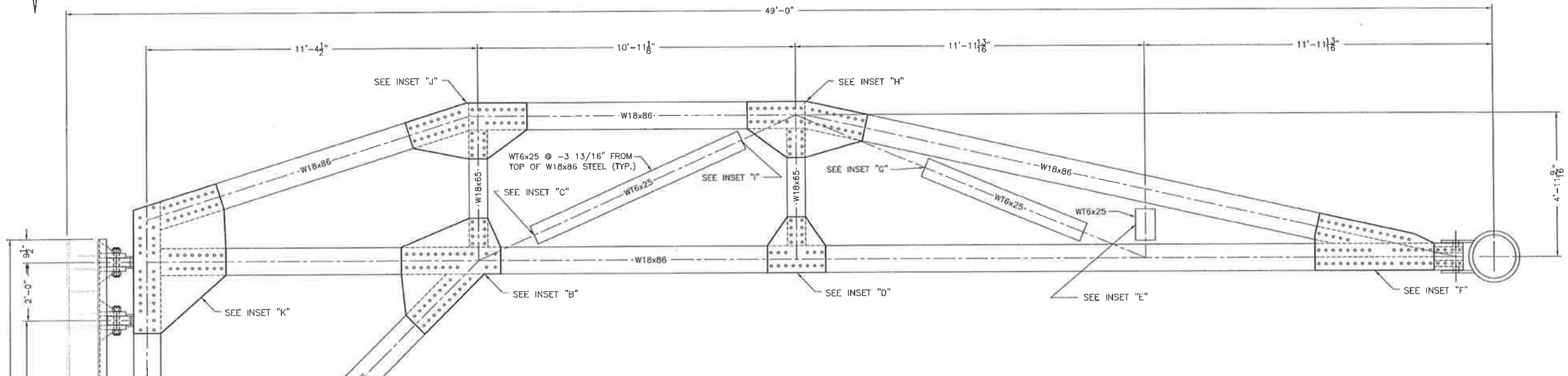
These compiled engineering as-built record drawings are a compilation of a copy of the original sealed engineering design drawings for this project, modified by addenda, change orders and information furnished by the contractor. The information shown on these compiled engineering as-built record drawings that was provided by the contractor or others not associated with me cannot be verified for accuracy or completeness. My compilation of this information does not relieve the contractor of responsibility for errors resultant to incorrect, incomplete or omitted data on the contractor's as-built record drawings - nor does it relieve the contractor of responsibility for non-conformance with the original contract documents. The original sealed engineering drawings are on file in the offices of Providence Engineering and Design, LLC. The professional engineer was Joseph C. Picciola, II with License Number 25614. (January 5, 2017)

THIS DRAWING AND ALL INFORMATION AND DESIGNS THEREON ARE THE PROPERTY OF PICCIOLA & ASSOCIATES, INC. THIS DRAWING IS CONFIDENTIAL AND MUST NOT BE MADE PUBLIC OR COPIED, REPRODUCED OR USED IN WHOLE OR IN PART WITHOUT PRIOR WRITTEN AUTHORIZATION FROM PICCIOLA & ASSOCIATES, INC. AND IS SUBJECT TO RETURN UPON DEMAND. NO USE OF THIS DRAWING OR ANY INFORMATION OR DESIGNS THEREON IS PERMITTED EXCEPT AS IS SPECIFICALLY AUTHORIZED IN WRITING BY PICCIOLA & ASSOCIATES, INC. ACCEPTANCE OF POSSESSION OF THIS DRAWING CONSTITUTES FULL AGREEMENT WITH THE ABOVE CONDITIONS.

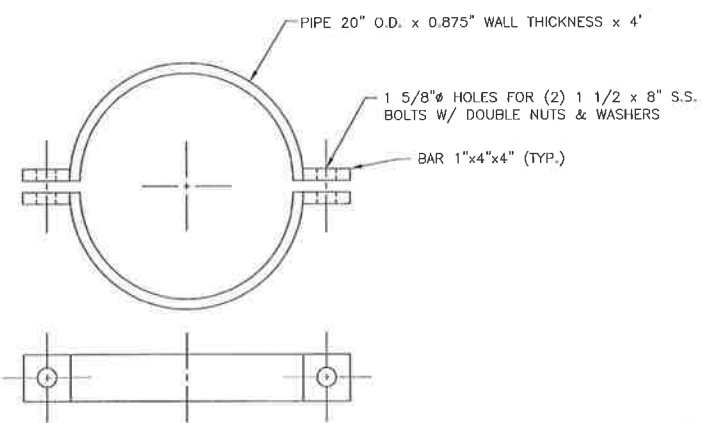
 PICCIOLA & ASSOCIATES, INC. CIVIL ENGINEERS LAND SURVEYORS P.O. BOX 687 CUT OFF, LOUISIANA 70345 (985) 632-5786	DATE: OCTOBER 22, 2012	PROVIDENCE/ GSE Associates, LLC DULAC PONTOON BRIDGE TYP. NAV. LIGHT POLE, MANHOLE, & LADDER DETAILS DULAC, LA. TERREBONNE PARISH	SHEET NO. S10
	SCALE: AS SHOWN		10 OF 32

ORIGINAL

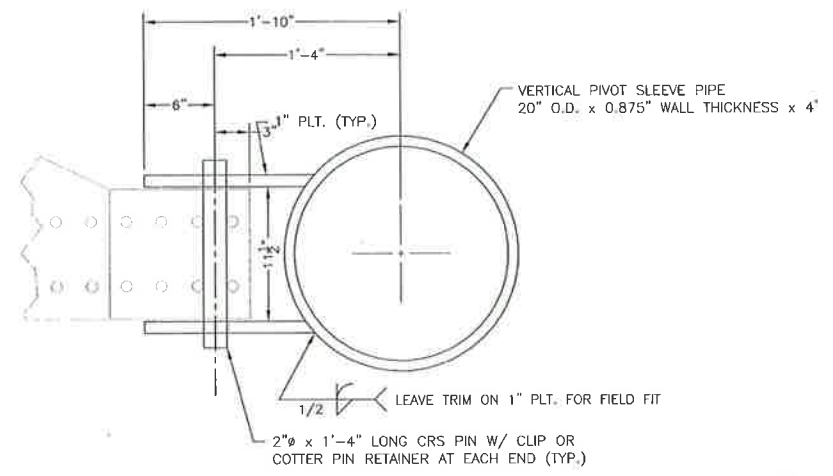
E:\12-DR\04161202 Gulf South Engineers Providence - Dulac Pontoon Bridge Rehabilitation\ACAD\CURRENT\SWING ARM.dwg, SWING ARM, 3/9/2015 1:00:15 PM



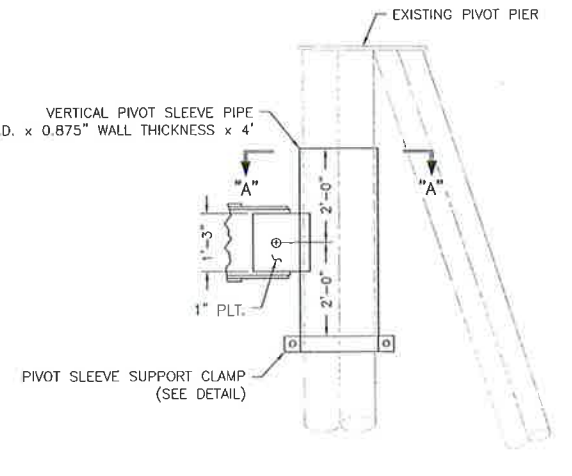
SWING ARM PLAN
1/2" = 1'-0"



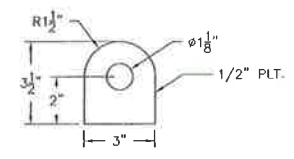
PIVOT SLEEVE SUPPORT CLAMP
1 1/2" = 1'-0"



SECTION "A"- "A"
1 1/2" = 1'-0"



VERTICAL PIVOT SLEEVE ELEVATION
1/2" = 1'-0"



TYP. PADEYE FOR P-TYPE CABLE
SCALE: 3" = 1'-0"

***NOTE:**
CONTRACTOR TO COORDINATE WITH ELECTRICAL ENGINEER TO VERIFY LOCATIONS & QUANTITY OF PAD EYES ON SWING ARM STRUCTURE.

NOTE:
ALL INSETS REFERRED TO ON THIS SHEET ARE SHOWN ON SHEETS S-12 THRU S-16.

STEEL NOTE:
ALL STRUCTURAL SHAPES AND PLATES FOR SWING ARM SHALL BE ASTM A572 GRADE 50.

See S11 Rev. 1

RECORD DRAWING

These compiled engineering as-built record drawings are a compilation of a copy of the original sealed engineering design drawings for this project, modified by addenda, change orders and information furnished by the contractor. The information shown on these compiled engineering as-built record drawings that was provided by the contractor or others not associated with me cannot be verified for accuracy or completeness. My compilation of this information does not relieve the contractor of responsibility for errors resultant to incorrect, incomplete or omitted data on the contractor's as-built record drawings - nor does it relieve the contractor of responsibility for non-conformance with the original contract documents. The original sealed engineering drawings are on file in the offices of Providence Engineering and Design, LLC. The professional engineer was Joseph C. Picciola, II with License Number 25614. (January 5, 2017)



PICCIOLA & ASSOCIATES, INC.
CIVIL ENGINEERS LAND SURVEYORS
NAVAL ARCHITECTS MARINE ENGINEERS
P.O. BOX, 687
CUT OFF, LOUISIANA 70345
(985) 632-5786

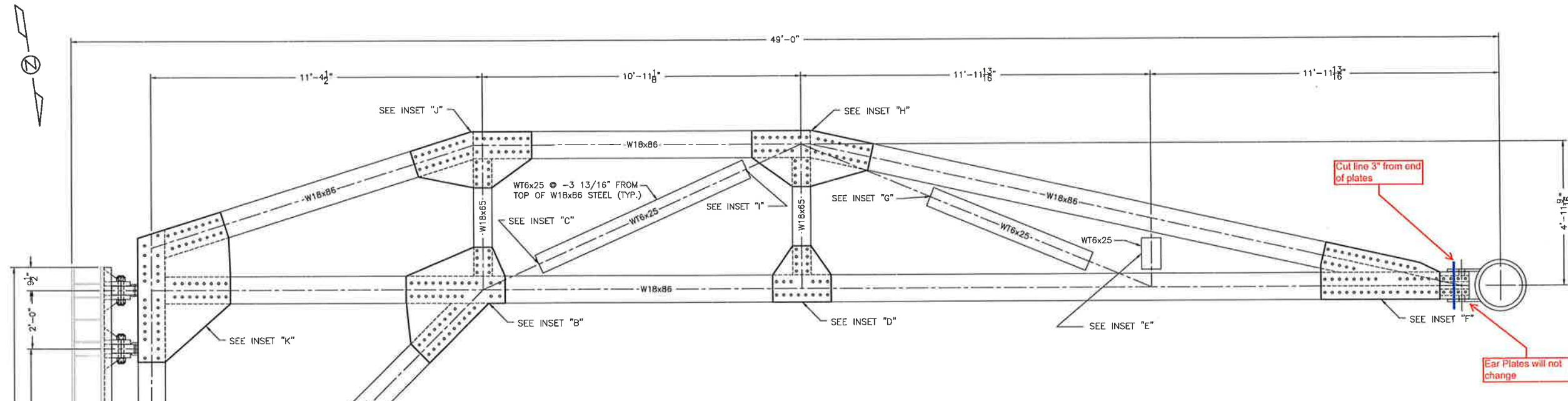
DESIGNED BY: J.C.P. DRAWN BY: T.D.E. CHECKED BY: J.C.P.

DATE:
OCTOBER 22, 2012
SCALE:
AS SHOWN

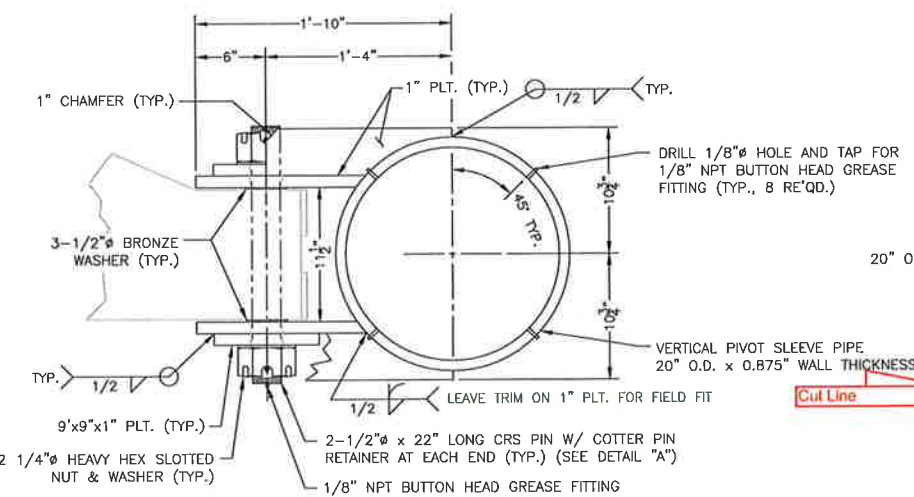
**PROVIDENCE/
GSE Associates, LLC**
DULAC PONTOON BRIDGE
SWING ARM
DULAC, LA. TERREBONNE PARISH

SHEET NO.
S11
11 OF 32

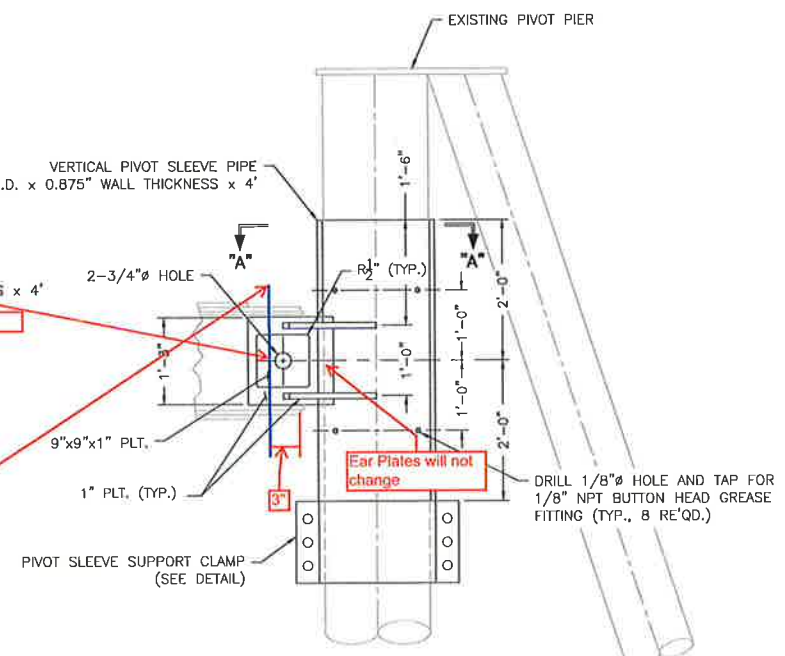
THIS DRAWING AND ALL INFORMATION AND DESIGNS THEREON ARE THE PROPERTY OF PICCIOLA & ASSOCIATES, INC. THIS DRAWING IS CONFIDENTIAL AND MUST NOT BE MADE PUBLIC OR COPIED, REPRODUCED OR USED IN WHOLE OR IN PART WITHOUT PRIOR WRITTEN AUTHORIZATION FROM PICCIOLA & ASSOCIATES, INC. AND IS SUBJECT TO RETURN UPON DEMAND. NO USE OF THIS DRAWING OR ANY INFORMATION OR DESIGNS THEREON IS PERMITTED EXCEPT AS SPECIFICALLY AUTHORIZED IN WRITING BY PICCIOLA & ASSOCIATES, INC. ACCEPTANCE OF POSSESSION OF THIS DRAWING CONSTITUTES FULL AGREEMENT WITH THE ABOVE CONDITIONS.



SWING ARM PLAN
1/2" = 1'-0"

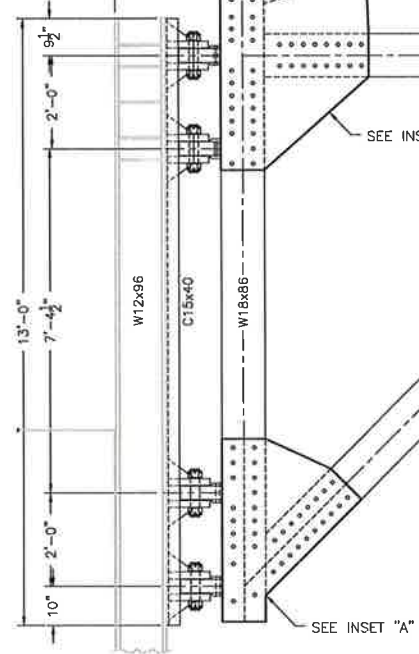


SECTION "A-A"
1 1/2" = 1'-0"

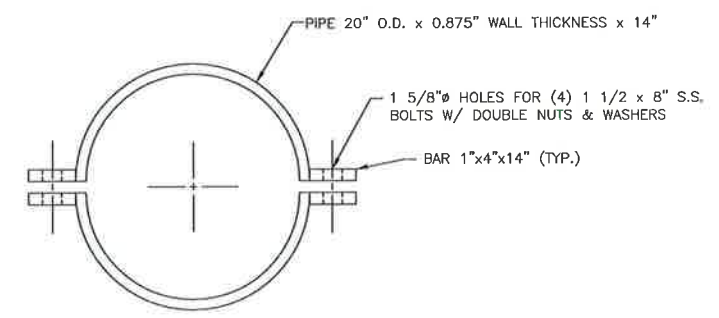


VERTICAL PIVOT SLEEVE ELEVATION
3/4" = 1'-0"

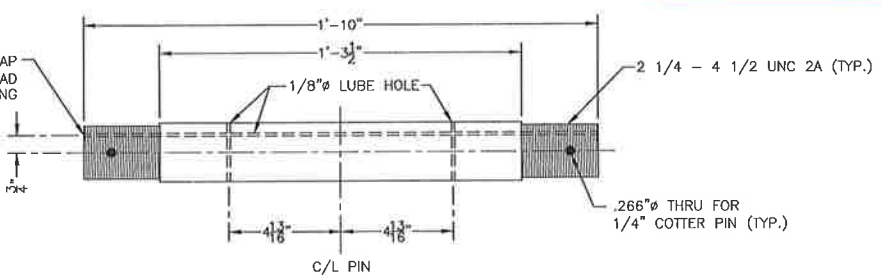
NOTE:
ALL INSETS REFERRED TO ON THIS SHEET ARE SHOWN ON SHEETS S-12 THRU S-16.
STEEL NOTE:
ALL STRUCTURAL SHAPES AND PLATES FOR SWING ARM SHALL BE ASTM A572 GRADE 50.



TYP. PADEYE FOR P-TYPE CABLE
SCALE: 3" = 1'-0"



PIVOT SLEEVE SUPPORT CLAMP
1 1/2" = 1'-0"



DETAIL "A"
PIVOT BEARING PIN
1/2" = 1'-0"

***NOTE:**
CONTRACTOR TO COORDINATE WITH ELECTRICAL ENGINEER TO VERIFY LOCATIONS & QUANTITY OF PAD EYES ON SWING ARM STRUCTURE.

RECORD DRAWING

These compiled engineering as-built record drawings are a compilation of a copy of the original sealed engineering design drawings for this project, modified by addenda, change orders and information furnished by the contractor. The information shown on these compiled engineering as-built record drawings that was provided by the contractor or others not associated with me cannot be verified for accuracy or completeness. My compilation of this information does not relieve the contractor of responsibility for errors resultant to incorrect, incomplete or omitted data on the contractor's as-built record drawings - nor does it relieve the contractor of responsibility for non-conformance with the original contract documents. The original sealed engineering drawings are on file in the offices of Providence Engineering and Design, LLC. The professional engineer was Joseph C. Picciola, II with License Number 25614. (January 5, 2017)

PICCIOLA & ASSOCIATES, INC.
CIVIL ENGINEERS LAND SURVEYORS NAVAL ARCHITECTS MARINE ENGINEERS
P.O. BOX 587
CUT OFF, LOUISIANA 70345
(985) 632-5766

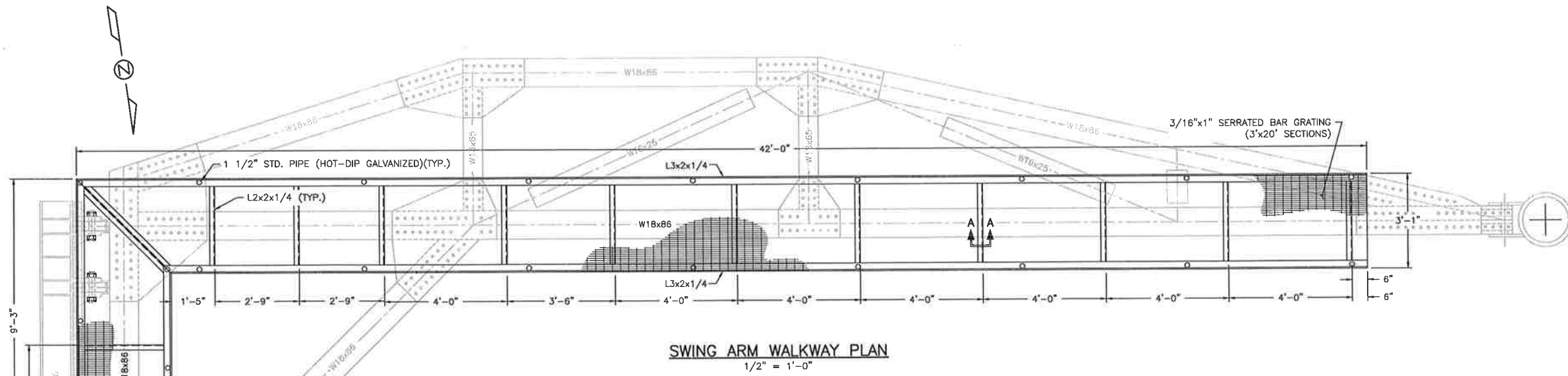
DESIGNED BY: J.C.P. DRAWN BY: T.D.E. CHECKED BY: J.C.P.

DATE: OCTOBER 22, 2012
SCALE: AS SHOWN

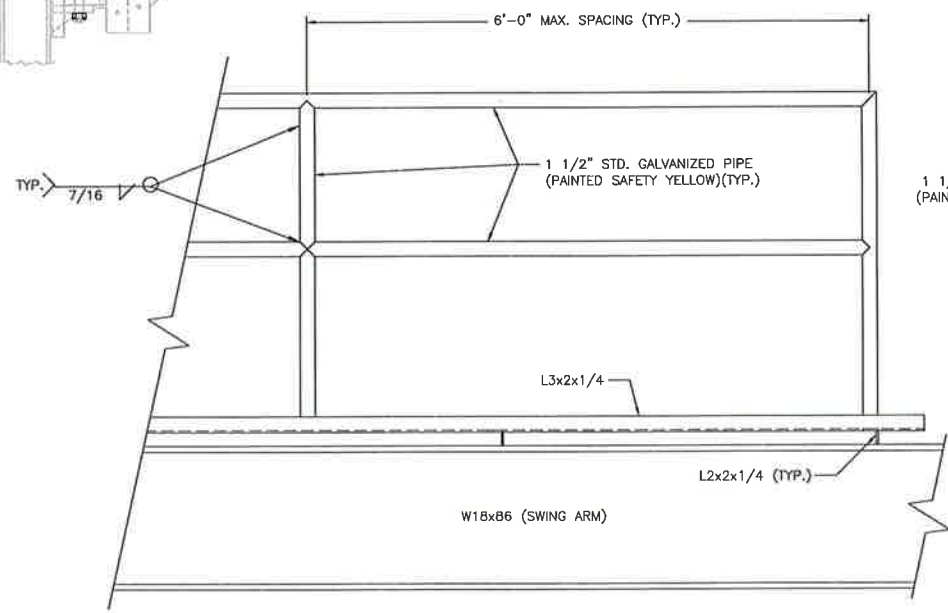
PROVIDENCE/ GSE Associates, LLC
DULAC PONTOON BRIDGE
SWING ARM
DULAC, LA. TERREBONNE PARISH

SHEET NO. **S11**
11 OF 32

E:\12-DIR\04\16\1202 Gulf South Engineers Providence - Dulac Pontoon Bridge Rehabilitation\ACAD\CURRENT\SWING ARM.dwg, WALKWAY, 3/17/2016 9:22:10 AM

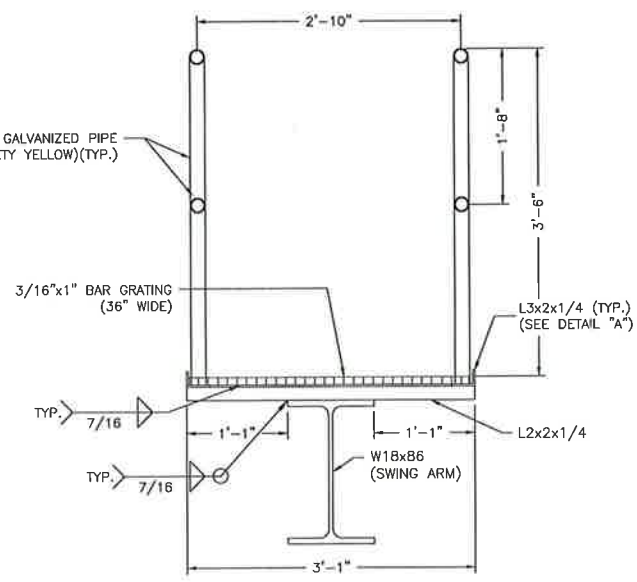


SWING ARM WALKWAY PLAN
1/2" = 1'-0"

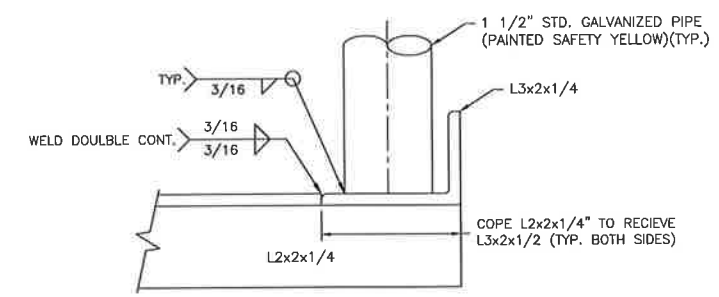


SIDE ELEV.

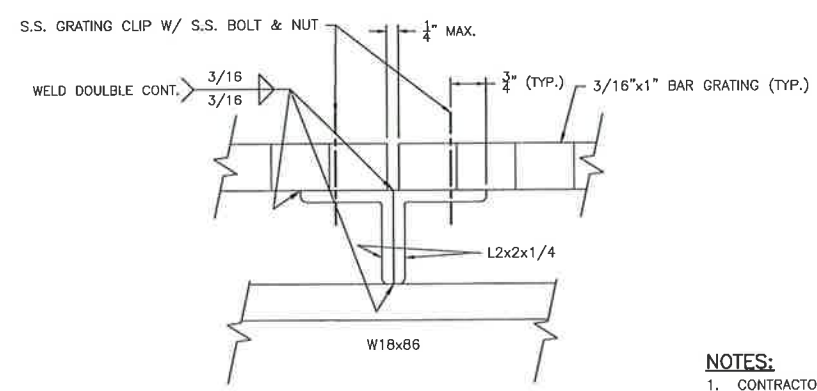
TYP. WALKWAY DETAIL
1" = 1'-0"



FRONT ELEV.



DETAIL "A"
6" = 1'-0"



SECTION "A-A"
TYP. BAR GRATING BUTT JOINT DETAIL
6" = 1'-0"

- NOTES:**
- CONTRACTOR SHALL SUBMIT DETAILS FOR STAIRWAY ACCESS TO PIVOT PIER FROM SWING ARM WALKWAY, AND TO PIVOT PIER FROM APPROACH APRON. ALL DETAILS MUST BE APPROVED BY PROJECT ENGINEER.
 - TO ALLOW ACCESS FROM WALKWAY TO PONTOON, VERTICAL LADDER OR STAIRS SHALL BE FIELD FITTED ON PONTOON & WALKWAY BY T.P.C.G.

***NOTE:**
CONTRACTOR TO COORDINATE WITH ELECTRICAL ENGINEER TO VERIFY LOCATIONS & QUANTITY OF PAD EYES ON SWING ARM STRUCTURE.

RECORD DRAWING

These compiled engineering as-built record drawings are a compilation of a copy of the original sealed engineering design drawings for this project, modified by addenda, change orders and information furnished by the contractor. The information shown on these compiled engineering as-built record drawings that was provided by the contractor or others not associated with me cannot be verified for accuracy or completeness. My compilation of this information does not relieve the contractor of responsibility for errors resultant to incorrect, incomplete or omitted data on the contractor's as-built record drawings - nor does it relieve the contractor of responsibility for non-conformance with the original contract documents. The original sealed engineering drawings are on file in the offices of Providence Engineering and Design, LLC. The professional engineer was Joseph C. Picciola, II with License Number 25614. (January 5, 2017)

THIS DRAWING AND ALL INFORMATION AND DESIGNS THEREON ARE THE PROPERTY OF PICCIOLA & ASSOCIATES, INC. THIS DRAWING IS CONFIDENTIAL AND MUST NOT BE MADE PUBLIC OR COPIED, REPRODUCED OR USED IN WHOLE OR IN PART WITHOUT PRIOR WRITTEN AUTHORIZATION FROM PICCIOLA & ASSOCIATES, INC. AND IS SUBJECT TO RETURN UPON DEMAND. NO USE OF THIS DRAWING OR ANY INFORMATION OR DESIGNS THEREON IS PERMITTED EXCEPT AS IS SPECIFICALLY AUTHORIZED IN WRITING BY PICCIOLA & ASSOCIATES, INC. ACCEPTANCE OF POSSESSION OF THIS DRAWING CONSTITUTES FULL AGREEMENT WITH THE ABOVE CONDITIONS.



PICCIOLA & ASSOCIATES, INC.
CIVIL ENGINEERS
LAND SURVEYORS
NAVAL ARCHITECTS
MARINE ENGINEERS

DESIGNED BY: J.C.P.
DRAWN BY: S.M.Z.
CHECKED BY: J.C.P.

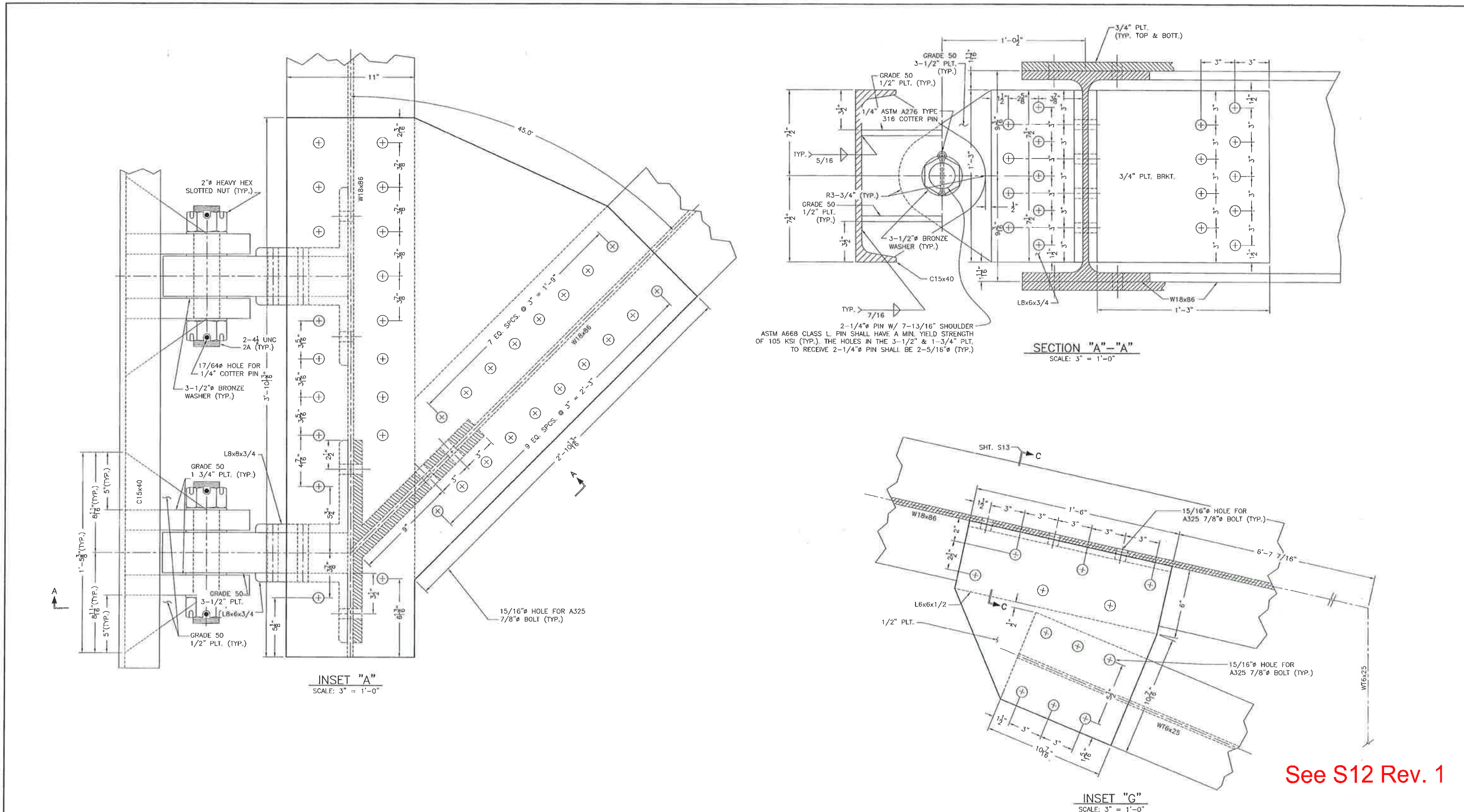
DATE:
FEBRUARY 11, 2016
SCALE:
AS SHOWN

**PROVIDENCE/
GSE Associates, LLC**
DULAC PONTOON BRIDGE
SWING ARM WALKWAY PLAN & DETAILS
DULAC, LA. TERREBONNE PARISH

SHEET NO.
S11A
11 OF 32

ORIGINAL

E:\12-DIR\04161202 Dulac Pontoon Bridge Rehabilitation\ACAD\CURRENT\SWING ARM.dwg, SWING ARM DETAILS, 3/9/2015 11:37:50 AM



See S12 Rev. 1

STEEL NOTE:
ALL STRUCTURAL SHAPES AND PLATES FOR SWING ARM SHALL BE ASTM A572 GRADE 50.

RECORD DRAWING

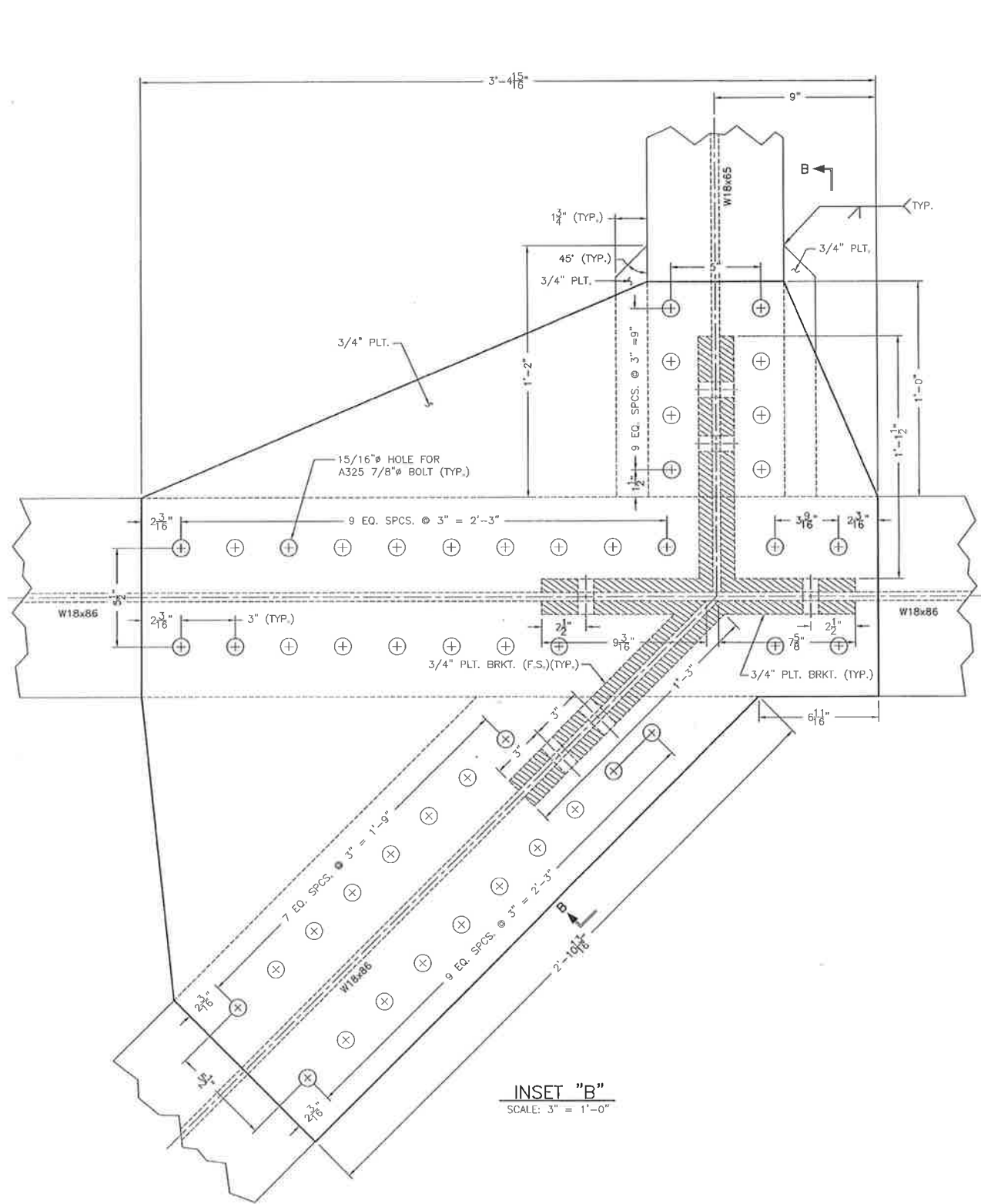
These compiled engineering as-built record drawings are a compilation of a copy of the original sealed engineering design drawings for this project, modified by addenda, change orders and information furnished by the contractor. The information shown on these compiled engineering as-built record drawings that was provided by the contractor or others not associated with me cannot be verified for accuracy or completeness. My compilation of this information does not relieve the contractor of responsibility for errors resultant to incorrect, incomplete or omitted data on the contractor's as-built record drawings - nor does it relieve the contractor of responsibility for non-conformance with the original contract documents. The original sealed engineering drawings are on file in the offices of Providence Engineering and Design, LLC. The professional engineer was Joseph C. Picciola, II with License Number 25614. (January 5, 2017)

THIS DRAWING AND ALL INFORMATION AND DESIGNS THEREON ARE THE PROPERTY OF PICCIOLA & ASSOCIATES, INC. THIS DRAWING IS CONFIDENTIAL AND MUST NOT BE MADE PUBLIC OR COPIED, REPRODUCED OR USED IN WHOLE OR IN PART WITHOUT PRIOR WRITTEN AUTHORIZATION FROM PICCIOLA & ASSOCIATES, INC. AND IS SUBJECT TO RETURN UPON DEMAND. NO USE OF THIS DRAWING OR ANY INFORMATION OR DESIGNS THEREON IS PERMITTED EXCEPT AS IS SPECIFICALLY AUTHORIZED IN WRITING BY PICCIOLA & ASSOCIATES, INC. ACCEPTANCE OF POSSESSION OF THIS DRAWING CONSTITUTES FULL AGREEMENT WITH THE ABOVE CONDITIONS.

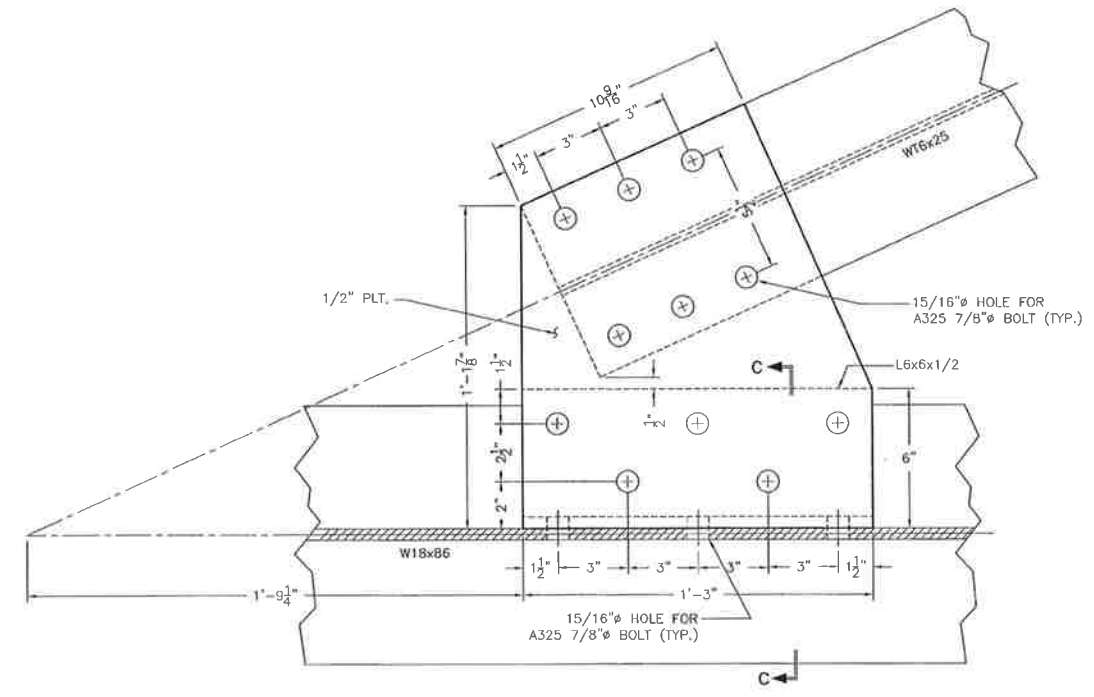
 PICCIOLA & ASSOCIATES, INC. CIVIL ENGINEERS LAND SURVEYORS NAVAL ARCHITECTS MARINE ENGINEERS P.O. BOX 687 CUT OFF, LOUISIANA 70345 (985) 632-5786	DATE: OCTOBER 22, 2012	PROVIDENCE/ GSE Associates, LLC DULAC PONTOON BRIDGE SWING ARM DETAILS DULAC, LA.	SHEET NO. S12
	SCALE: AS SHOWN		12 OF 32
DESIGNED BY: J.C.P.	DRAWN BY: T.D.E.	CHECKED BY: J.C.P.	TERREBONNE PARISH

ORIGINAL

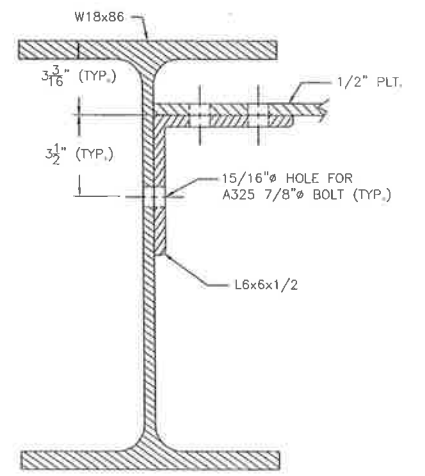
E:\12-DTR\04161202 Gulf South Engineers Providence - Dulac Pontoon Bridge Rehabilitation\ACAD\CURRENT\SWING ARM.dwg, SWING ARM DETAILS (2), 3/9/2015 11:38:22 AM



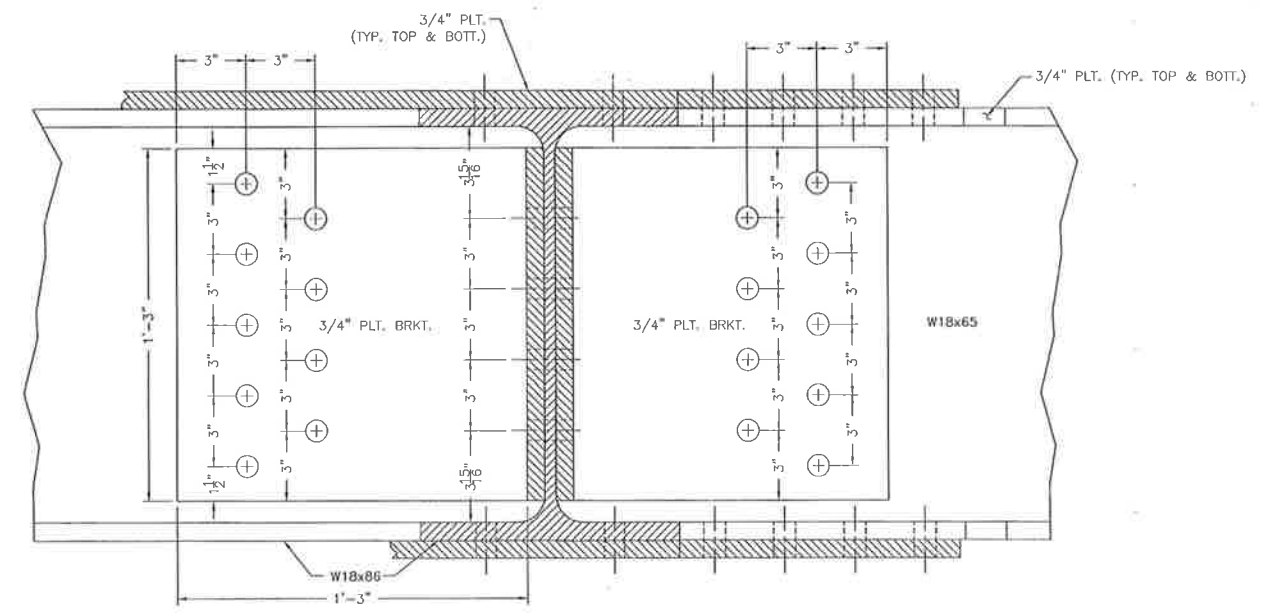
INSET "B"
SCALE: 3" = 1'-0"



INSET "C"
SCALE: 3" = 1'-0"



SECTION "C"-"C"
SCALE: 3" = 1'-0"



SECTION "B"-"B"
SCALE: 3" = 1'-0"

STEEL NOTE:
ALL STRUCTURAL SHAPES AND PLATES FOR SWING ARM SHALL BE ASTM A572 GRADE 50.

THIS DRAWING AND ALL INFORMATION AND DESIGNS THEREON ARE THE PROPERTY OF PICCIOLA & ASSOCIATES, INC. THIS DRAWING IS CONFIDENTIAL AND MUST NOT BE MADE PUBLIC OR COPIED, REPRODUCED OR USED IN WHOLE OR IN PART WITHOUT PRIOR WRITTEN AUTHORIZATION FROM PICCIOLA & ASSOCIATES, INC. AND IS SUBJECT TO RETURN UPON DEMAND. NO USE OF THIS DRAWING OR ANY INFORMATION OR DESIGNS THEREON IS PERMITTED EXCEPT AS IS SPECIFICALLY AUTHORIZED IN WRITING BY PICCIOLA & ASSOCIATES, INC. ACCEPTANCE OF POSSESSION OF THIS DRAWING CONSTITUTES FULL AGREEMENT WITH THE ABOVE CONDITIONS.

RECORD DRAWING

These compiled engineering as-built record drawings are a compilation of a copy of the original sealed engineering design drawings for this project, modified by addenda, change orders and information furnished by the contractor. The information shown on these compiled engineering as-built record drawings that was provided by the contractor or others not associated with me cannot be verified for accuracy or completeness. My compilation of this information does not relieve the contractor of responsibility for errors resultant to incorrect, incomplete or omitted data on the contractor's as-built record drawings - nor does it relieve the contractor of responsibility for non-conformance with the original contract documents. The original sealed engineering drawings are on file in the offices of Providence Engineering and Design, LLC. The professional engineer was Joseph C. Picciola, II with License Number 25614. (January 5, 2017)



PICCIOLA & ASSOCIATES, INC.
CIVIL ENGINEERS LAND SURVEYORS
NAVAL ARCHITECTS MARINE ENGINEERS
P.O. BOX 687
CUT OFF, LOUISIANA 70345
(985) 632-5786

DESIGNED BY: J.C.P.
DRAWN BY: T.D.E.
CHECKED BY: J.C.P.

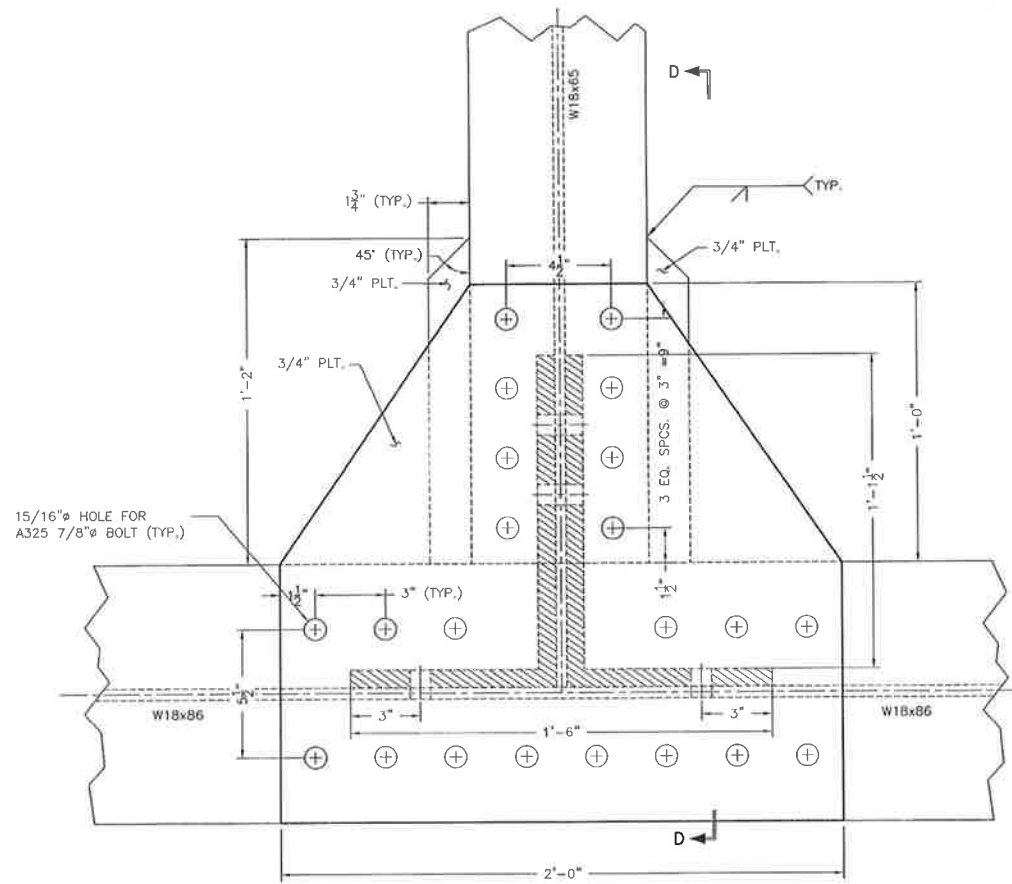
DATE:
OCTOBER 22, 2012
SCALE:
AS SHOWN

**PROVIDENCE/
GSE Associates, LLC**
DULAC PONTOON BRIDGE
SWING ARM DETAILS
DULAC, LA. TERREBONNE PARISH

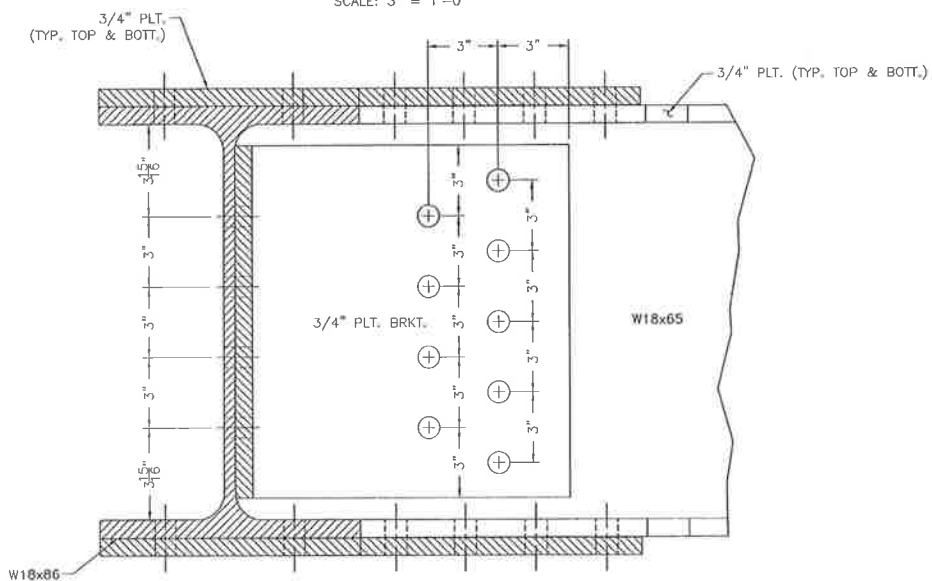
SHEET NO.
S13
13 OF 32

ORIGINAL

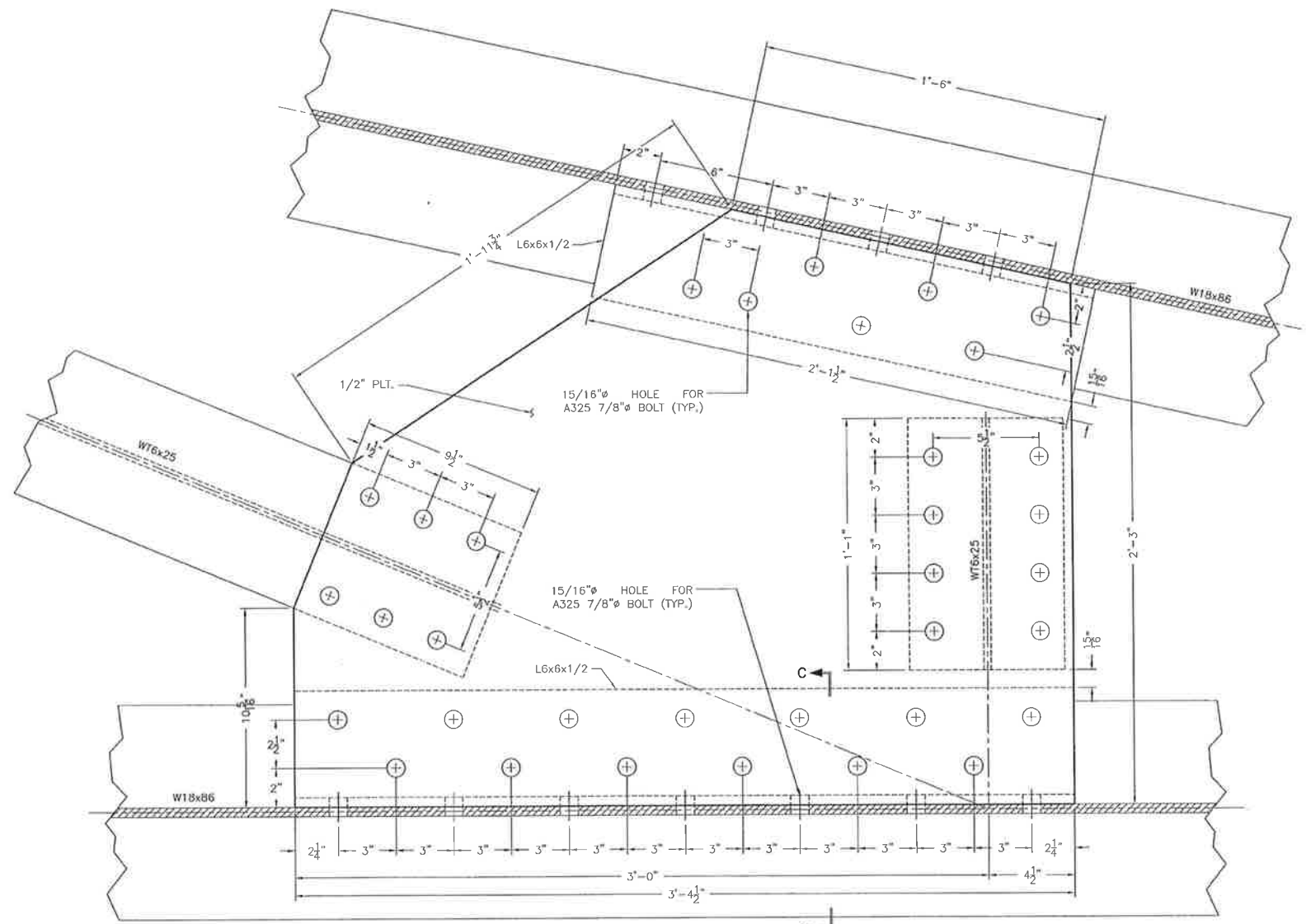
E:\12-DTB\04161202_Gulf South Engineers Providence - Dulac Pontoon Bridge Rehabilitation\ACAD\CURRENT\SWING ARM DETAILS (3).39/2015 1:01:01 PM



INSET "D"
SCALE: 3" = 1'-0"



SECTION "D"-D"
SCALE: 3" = 1'-0"



INSET "E"
SCALE: 3" = 1'-0"

STEEL NOTE:
ALL STRUCTURAL SHAPES AND PLATES FOR SWING ARM SHALL BE ASTM A572 GRADE 50.

RECORD DRAWING

These compiled engineering as-built record drawings are a compilation of a copy of the original sealed engineering design drawings for this project, modified by addenda, change orders and information furnished by the contractor. The information shown on these compiled engineering as-built record drawings that was provided by the contractor or others not associated with me cannot be verified for accuracy or completeness. My compilation of this information does not relieve the contractor of responsibility for errors resultant to incorrect, incomplete or omitted data on the contractor's as-built record drawings - nor does it relieve the contractor of responsibility for non-conformance with the original contract documents. The original sealed engineering drawings are on file in the offices of Providence Engineering and Design, LLC. The professional engineer was Joseph C. Picciola, II with License Number 25614. (January 5, 2017)

THIS DRAWING AND ALL INFORMATION AND DESIGNS THEREON ARE THE PROPERTY OF PICCIOLA & ASSOCIATES, INC. THIS DRAWING IS CONFIDENTIAL AND MUST NOT BE MADE PUBLIC OR COPIED, REPRODUCED OR USED IN WHOLE OR IN PART WITHOUT PRIOR WRITTEN AUTHORIZATION FROM PICCIOLA & ASSOCIATES, INC. AND IS SUBJECT TO RETURN UPON DEMAND. NO USE OF THIS DRAWING OR ANY INFORMATION OR DESIGNS THEREON IS PERMITTED EXCEPT AS IS SPECIFICALLY AUTHORIZED IN WRITING BY PICCIOLA & ASSOCIATES, INC. ACCEPTANCE OF POSSESSION OF THIS DRAWING CONSTITUTES FULL AGREEMENT WITH THE ABOVE CONDITIONS.



PICCIOLA & ASSOCIATES, INC.
CIVIL ENGINEERS
LAND SURVEYORS
NAVAL ARCHITECTS
MARINE ENGINEERS

P.O. BOX 687
CUT OFF, LOUISIANA 70345
(985) 632-5786

DESIGNED BY: J.C.P.
DRAWN BY: T.D.E.
CHECKED BY: J.C.P.

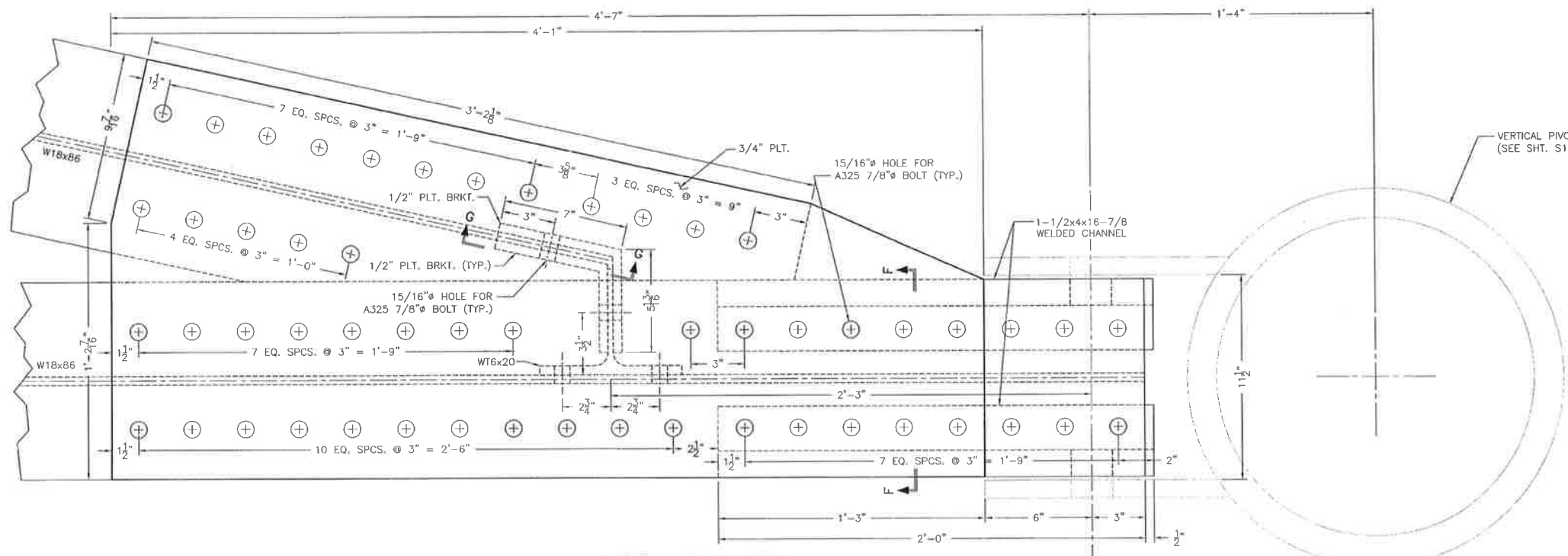
DATE:
OCTOBER 22, 2012
SCALE:
AS SHOWN

PROVIDENCE/
GSE Associates, LLC
DULAC PONTOON BRIDGE
SWING ARM DETAILS
DULAC, LA. TERREBONNE PARISH

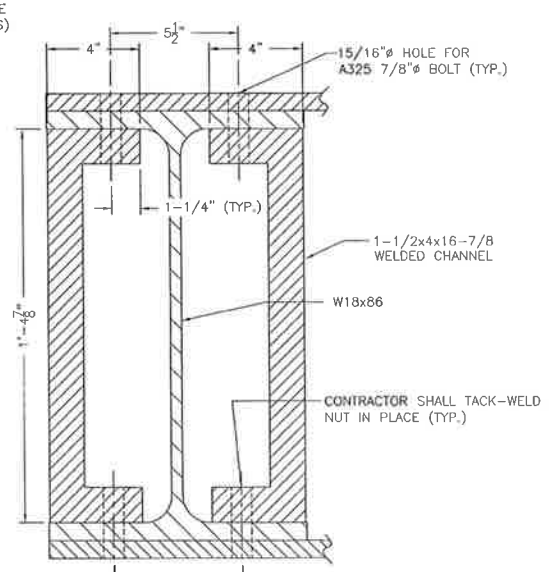
SHEET NO.
S14
14 OF 32

CONFIDENTIAL

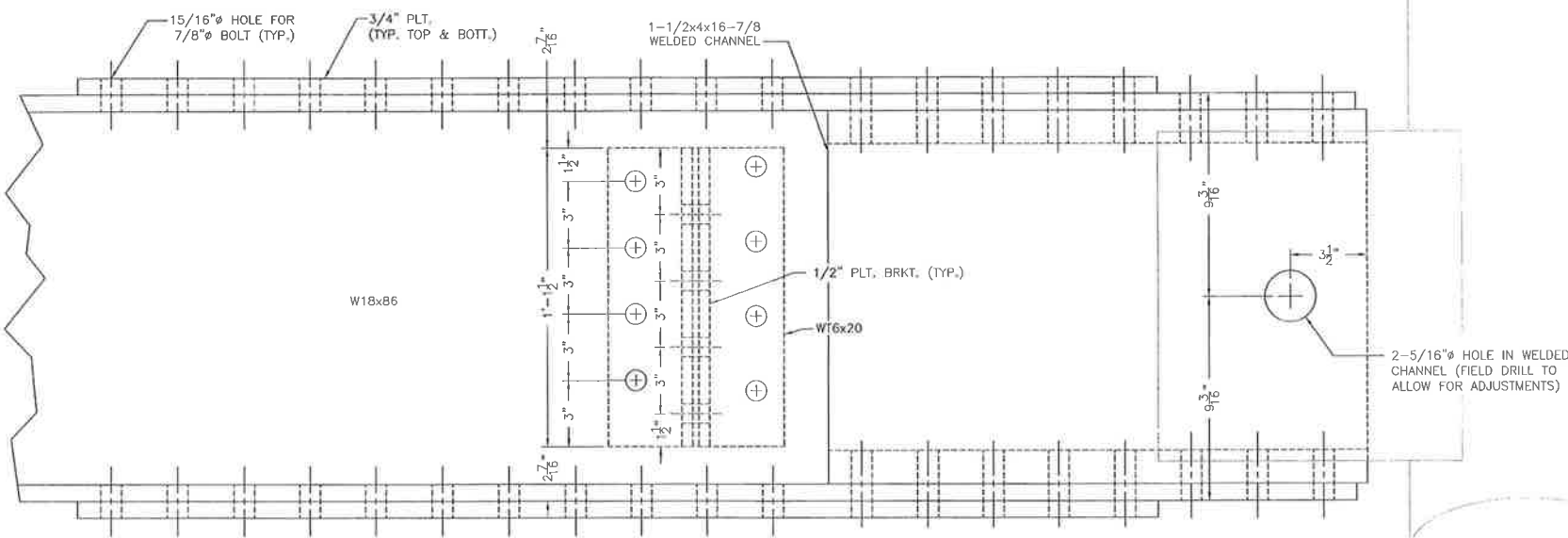
E:\12\DR\04161202_Gulf South Engineers Providence - Dulac Pontoon Bridge Rehabilitation\ACAD\CURRENT\SWING ARM.dwg, SWING ARM DETAILS (4), 3/9/2015 1:01:22 PM



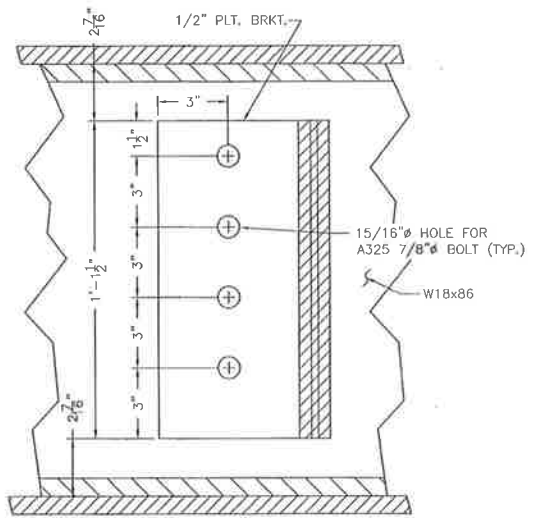
INSET "F" - PLAN VIEW
SCALE: 3" = 1'-0"



SECTION "F"-"F"
SCALE: 3" = 1'-0"



INSET "F" - ELEVATION VIEW
SCALE: 3" = 1'-0"



SECTION "G"-"G"
SCALE: 3" = 1'-0"

STEEL NOTE:
ALL STRUCTURAL SHAPES AND PLATES FOR SWING ARM SHALL BE ASTM A572 GRADE 50.

RECORD DRAWING

These compiled engineering as-built record drawings are a compilation of a copy of the original sealed engineering design drawings for this project, modified by addenda, change orders and information furnished by the contractor. The information shown on these compiled engineering as-built record drawings that was provided by the contractor or others not associated with me cannot be verified for accuracy or completeness. My compilation of this information does not relieve the contractor of responsibility for errors resultant to incorrect, incomplete or omitted data on the contractor's as-built record drawings - nor does it relieve the contractor of responsibility for non-conformance with the original contract documents. The original sealed engineering drawings are on file in the offices of Providence Engineering and Design, LLC. The professional engineer was Joseph C. Picciola, II with License Number 25614. (January 5, 2017)

THIS DRAWING AND ALL INFORMATION AND DESIGNS THEREON ARE THE PROPERTY OF PICCIOLA & ASSOCIATES, INC. THIS DRAWING IS CONFIDENTIAL AND MUST NOT BE MADE PUBLIC OR COPIED, REPRODUCED OR USED IN WHOLE OR IN PART WITHOUT PRIOR WRITTEN AUTHORIZATION FROM PICCIOLA & ASSOCIATES, INC. AND IS SUBJECT TO RETURN UPON DEMAND. NO USE OF THIS DRAWING OR ANY INFORMATION OR DESIGNS THEREON IS PERMITTED EXCEPT AS IS SPECIFICALLY AUTHORIZED IN WRITING BY PICCIOLA & ASSOCIATES, INC. ACCEPTANCE OF POSSESSION OF THIS DRAWING CONSTITUTES FULL AGREEMENT WITH THE ABOVE CONDITIONS.



PICCIOLA & ASSOCIATES, INC.
CIVIL ENGINEERS LAND SURVEYORS
NAVAL ARCHITECTS MARINE ENGINEERS

DESIGNED BY: J.C.P.
DRAWN BY: T.D.E.
CHECKED BY: J.C.P.

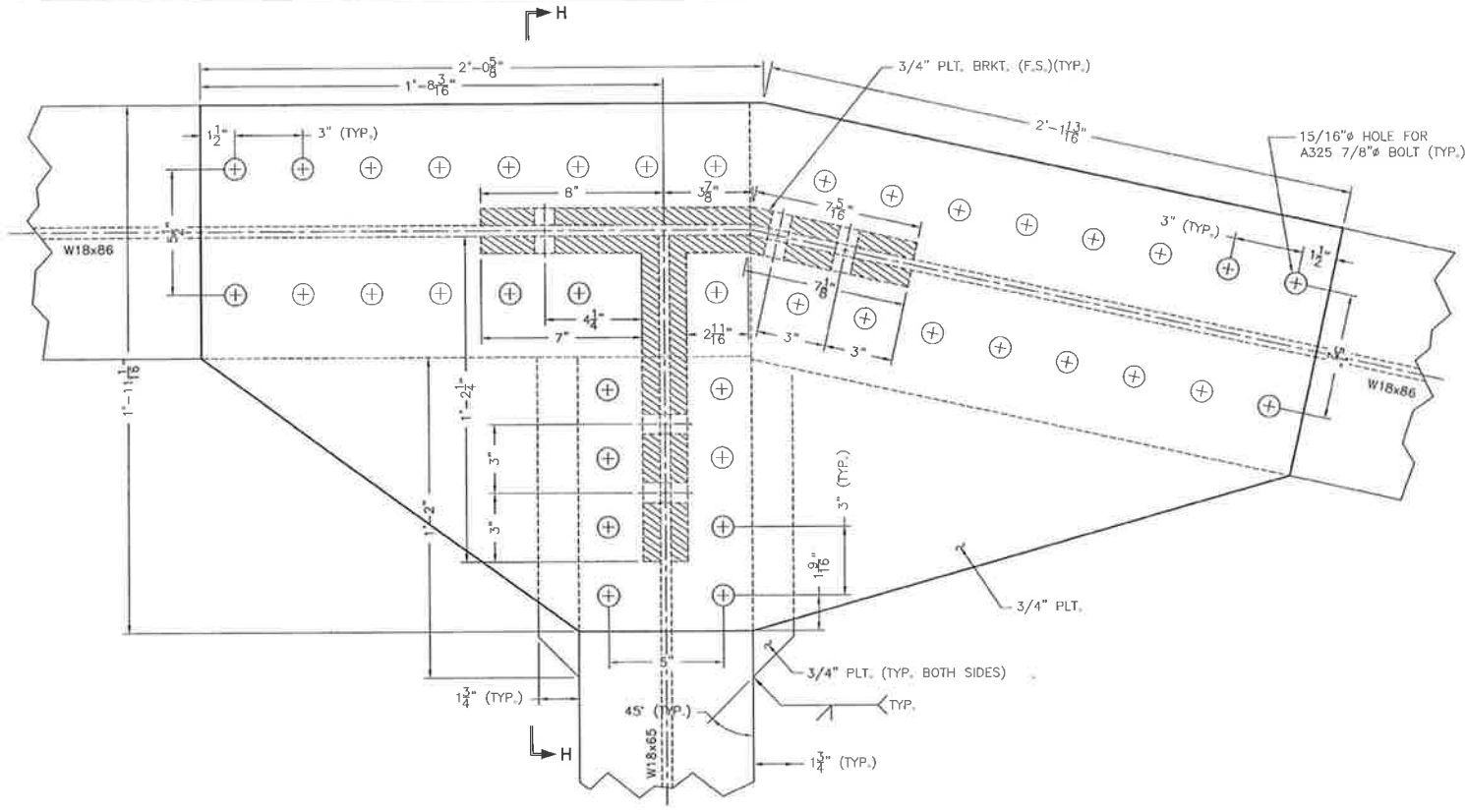
DATE: OCTOBER 22, 2012
SCALE: AS SHOWN

PROVIDENCE/ GSE Associates, LLC
DULAC PONTOON BRIDGE
SWING ARM DETAILS
DULAC, LA. TERREBONNE PARISH

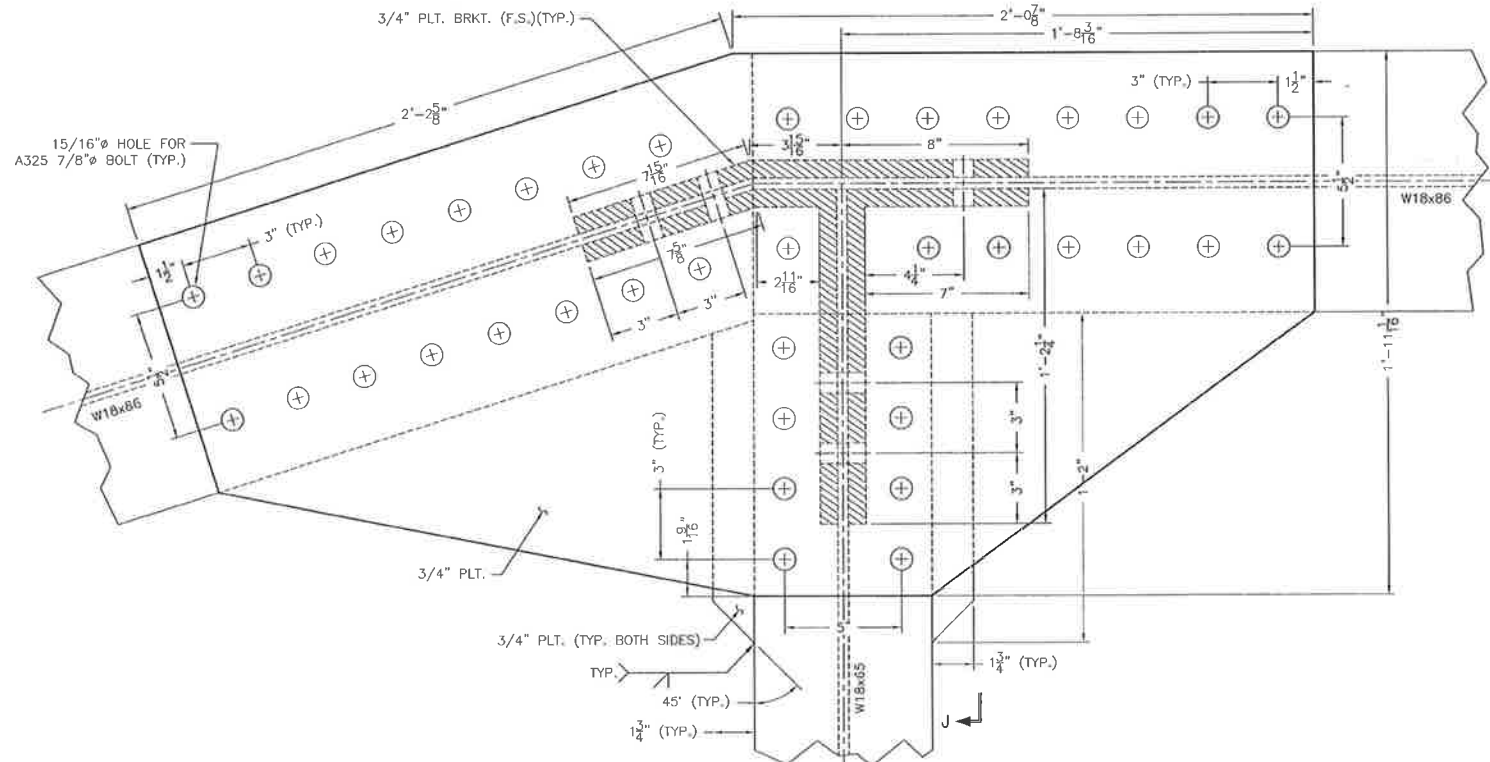
SHEET NO. **S15**
15 OF 32

ORIGINAL

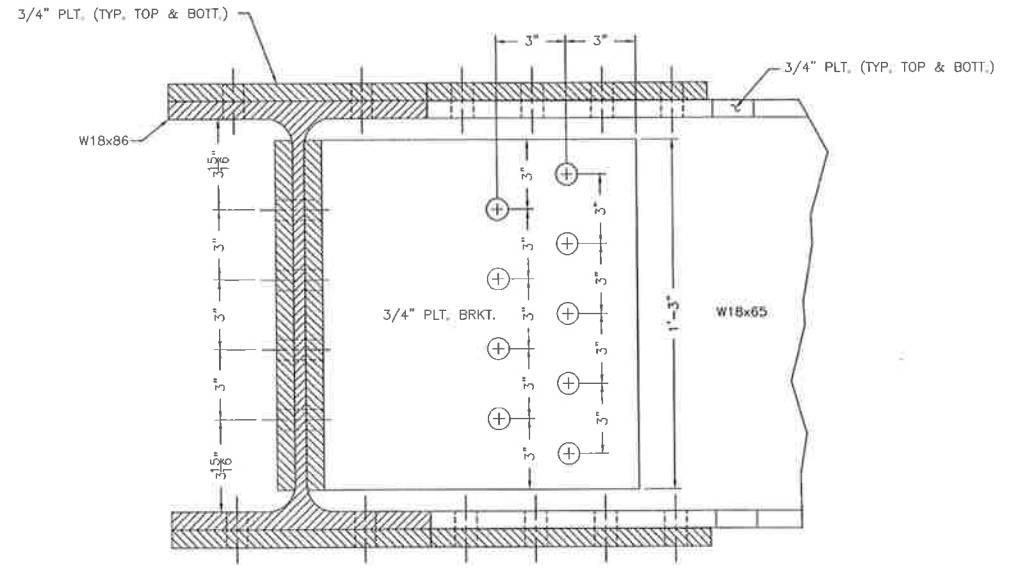
E:\112-DR\04161202 Gulf South Engineers Providence - Dulac Pontoon Bridge Rehabilitation\ACAD\CURRENT\SWING ARM.dwg, SWING ARM DETAILS (S), 3/9/2015 1:01:46 PM



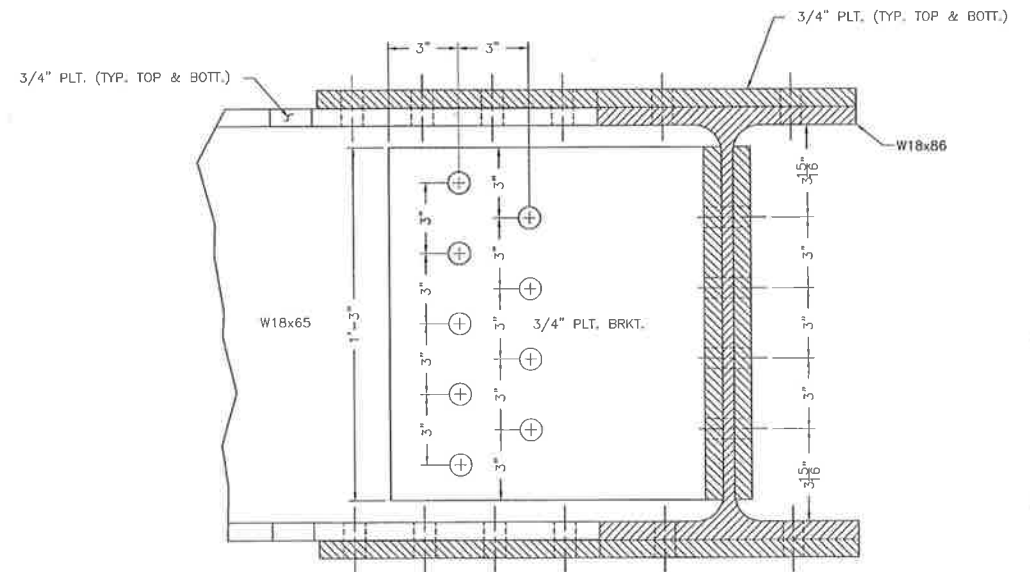
INSET "H"
SCALE: 3" = 1'-0"



INSET "J"



SECTION "H"- "H"
SCALE: 3" = 1'-0"



SECTION "J"- "J"
SCALE: 3" = 1'-0"

STEEL NOTE:
ALL STRUCTURAL SHAPES AND PLATES FOR SWING ARM SHALL BE ASTM A572 GRADE 50.

THIS DRAWING AND ALL INFORMATION AND DESIGNS THEREON ARE THE PROPERTY OF PICCIOLA & ASSOCIATES, INC. THIS DRAWING IS CONFIDENTIAL AND MUST NOT BE MADE PUBLIC OR COPIED, REPRODUCED OR USED IN WHOLE OR IN PART WITHOUT PRIOR WRITTEN AUTHORIZATION FROM PICCIOLA & ASSOCIATES, INC. AND IS SUBJECT TO RETURN UPON DEMAND. NO USE OF THIS DRAWING OR ANY INFORMATION OR DESIGNS THEREON IS PERMITTED EXCEPT AS IS SPECIFICALLY AUTHORIZED IN WRITING BY PICCIOLA & ASSOCIATES, INC. ACCEPTANCE OF POSSESSION OF THIS DRAWING CONSTITUTES FULL AGREEMENT WITH THE ABOVE CONDITIONS.

RECORD DRAWING

These compiled engineering as-built record drawings are a compilation of a copy of the original sealed engineering design drawings for this project, modified by addenda, change orders and information furnished by the contractor. The information shown on these compiled engineering as-built record drawings that was provided by the contractor or others not associated with me cannot be verified for accuracy or completeness. My compilation of this information does not relieve the contractor of responsibility for errors resultant to incorrect, incomplete or omitted data on the contractor's as-built record drawings - nor does it relieve the contractor of responsibility for non-conformance with the original contract documents. The original sealed engineering drawings are on file in the offices of Providence Engineering and Design, LLC. The professional engineer was Joseph C. Picciola, II with License Number 25614. (January 5, 2017)

DESIGNED BY:
J.C.P.

PICCIOLA & ASSOCIATES, INC.
CIVIL ENGINEERS
LAND SURVEYORS
NAVAL ARCHITECTS
MARINE ENGINEERS
P.O. BOX. 687
CUT OFF, LOUISIANA 70345
(985) 632-5786

DRAWN BY:
T.D.E.

CHECKED BY:
J.C.P.

DATE:
OCTOBER 22, 2012

SCALE:
AS SHOWN

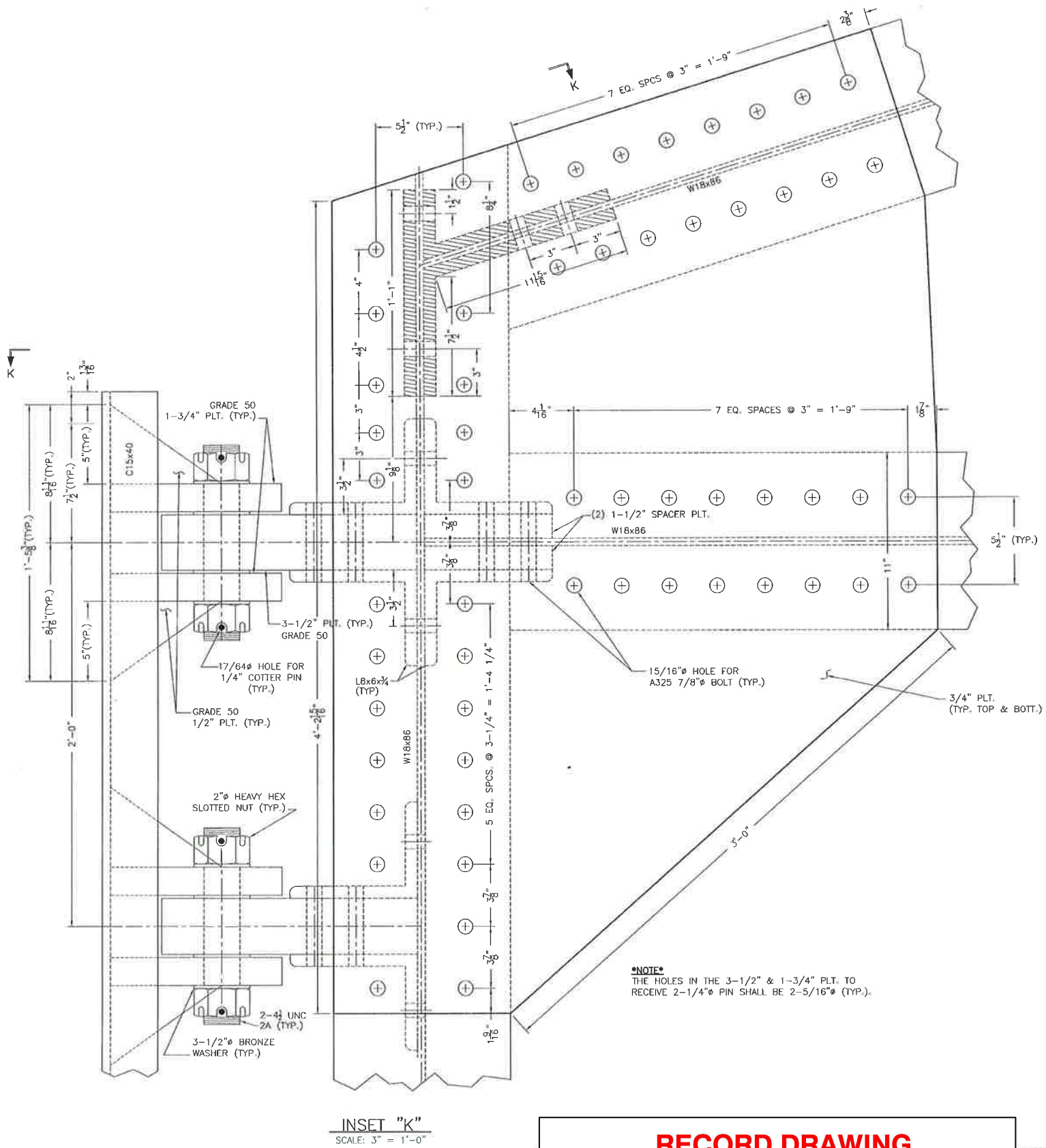
**PROVIDENCE/
GSE Associates, LLC**

DULAC PONTOON BRIDGE
SWING ARM DETAILS
DULAC, LA. TERREBONNE PARISH

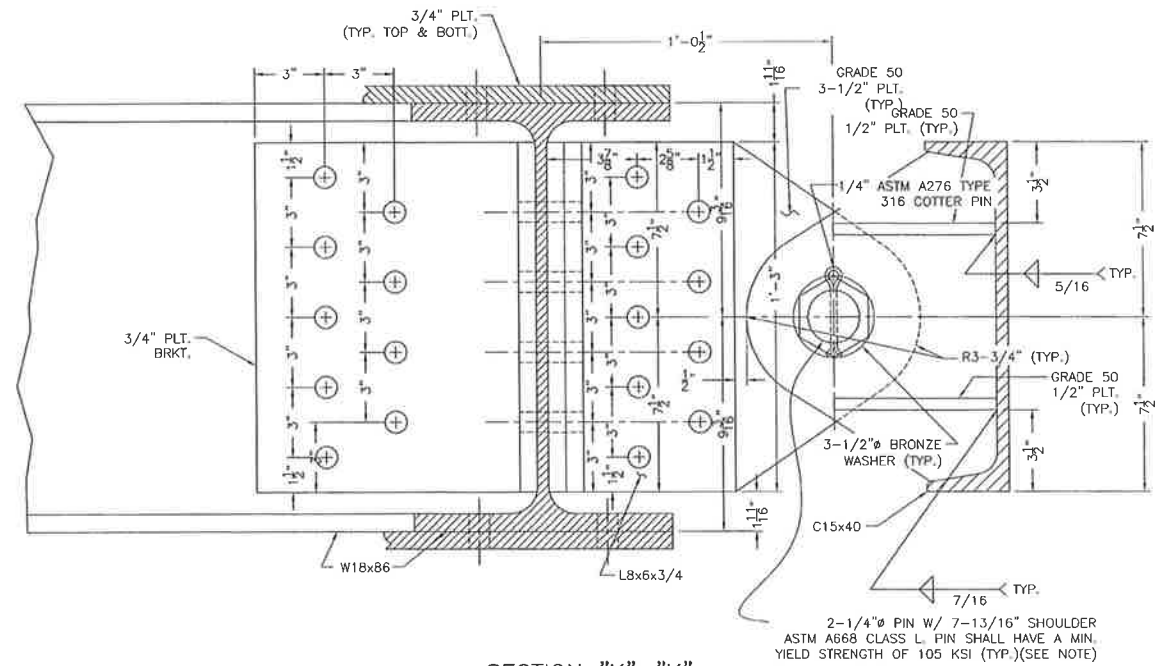
SHEET NO.
S16

16 OF 32

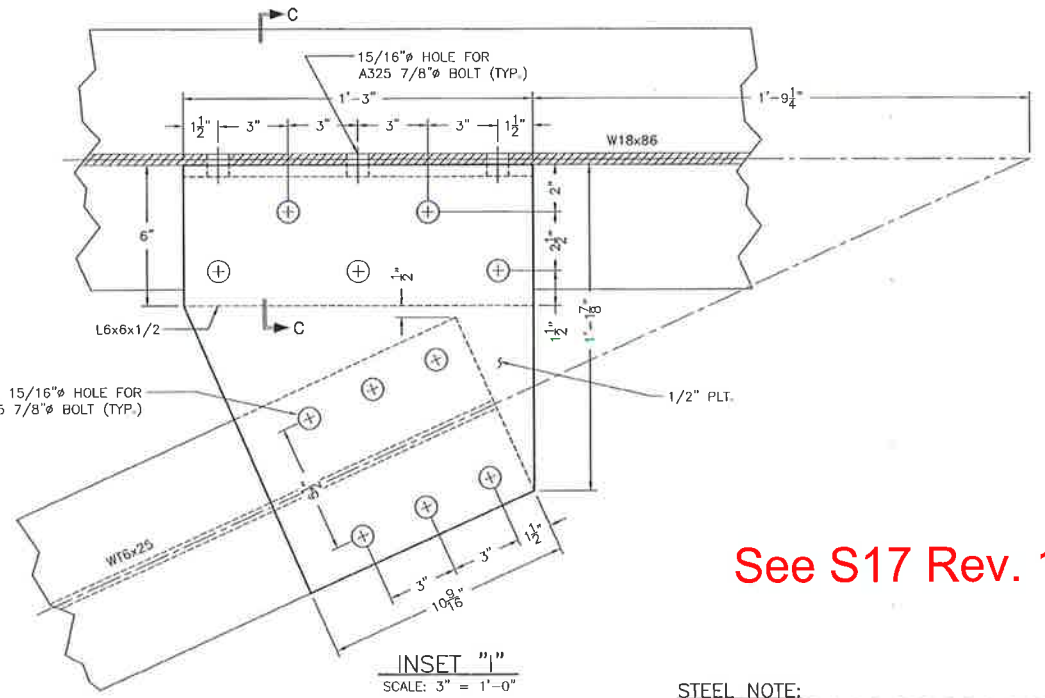
E:\12-DR\04161202 Gulf South Engineers Providence - Dulac Pontoon Bridge Rehabilitation\ACAD\CURRENT\SWING ARM.dwg, SWING ARM DETAILS (6), 3/9/2015 1:02:14 PM ORIGINAL



INSET "K"
SCALE: 3" = 1'-0"



SECTION "K"-K"
SCALE: 3" = 1'-0"



INSET "I"
SCALE: 3" = 1'-0"

See S17 Rev. 1

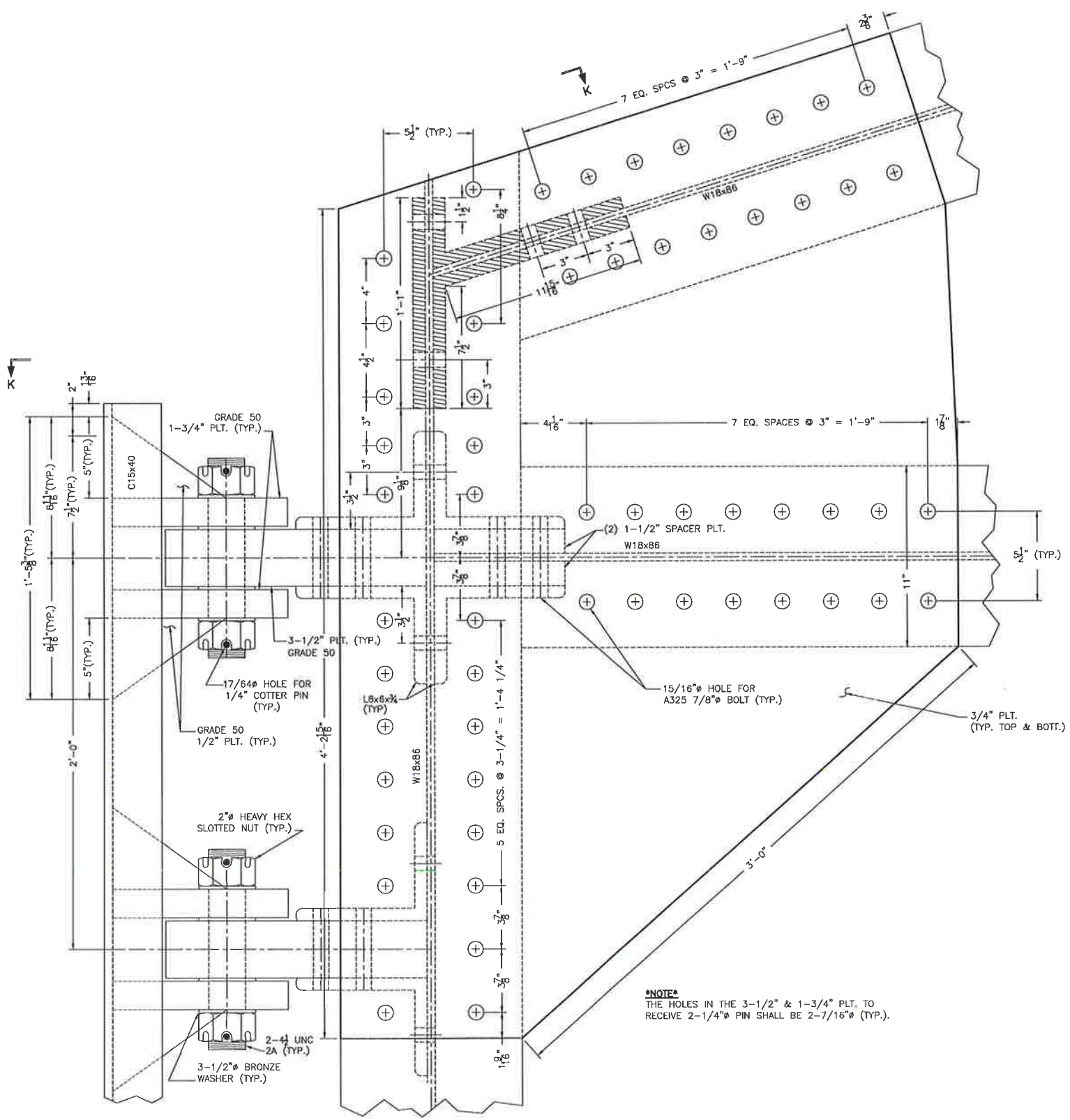
STEEL NOTE:
ALL STRUCTURAL SHAPES AND PLATES FOR SWING ARM SHALL BE ASTM A572 GRADE 50.

RECORD DRAWING

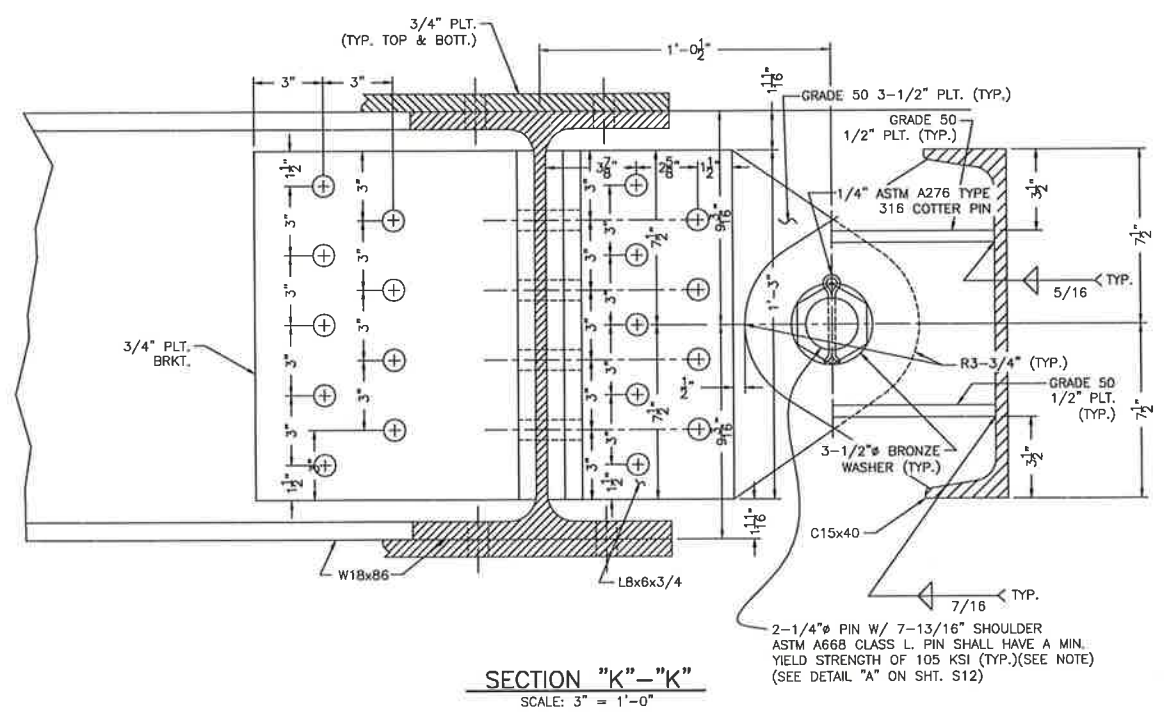
These compiled engineering as-built record drawings are a compilation of a copy of the original sealed engineering design drawings for this project, modified by addenda, change orders and information furnished by the contractor. The information shown on these compiled engineering as-built record drawings that was provided by the contractor or others not associated with me cannot be verified for accuracy or completeness. My compilation of this information does not relieve the contractor of responsibility for errors resultant to incorrect, incomplete or omitted data on the contractor's as-built record drawings - nor does it relieve the contractor of responsibility for non-conformance with the original contract documents. The original sealed engineering drawings are on file in the offices of Providence Engineering and Design, LLC. The professional engineer was Joseph C. Picciola, II with License Number 25614. (January 5, 2017)

 PICCIOLA & ASSOCIATES, INC. CIVIL ENGINEERS NAVAL ARCHITECTS LAND SURVEYORS MARINE ENGINEERS P.O. BOX. 687 CUT OFF, LOUISIANA 70345 (985) 632-5786	DATE: OCTOBER 22, 2012	PROVIDENCE/ GSE Associates, LLC DULAC PONTOON BRIDGE SWING ARM DETAILS DULAC, LA TERREBONNE PARISH	SHEET NO. S17
	SCALE: AS SHOWN		17 OF 32
DESIGNED BY: J.C.P.	DRAWN BY: T.O.E.	CHECKED BY: J.C.P.	

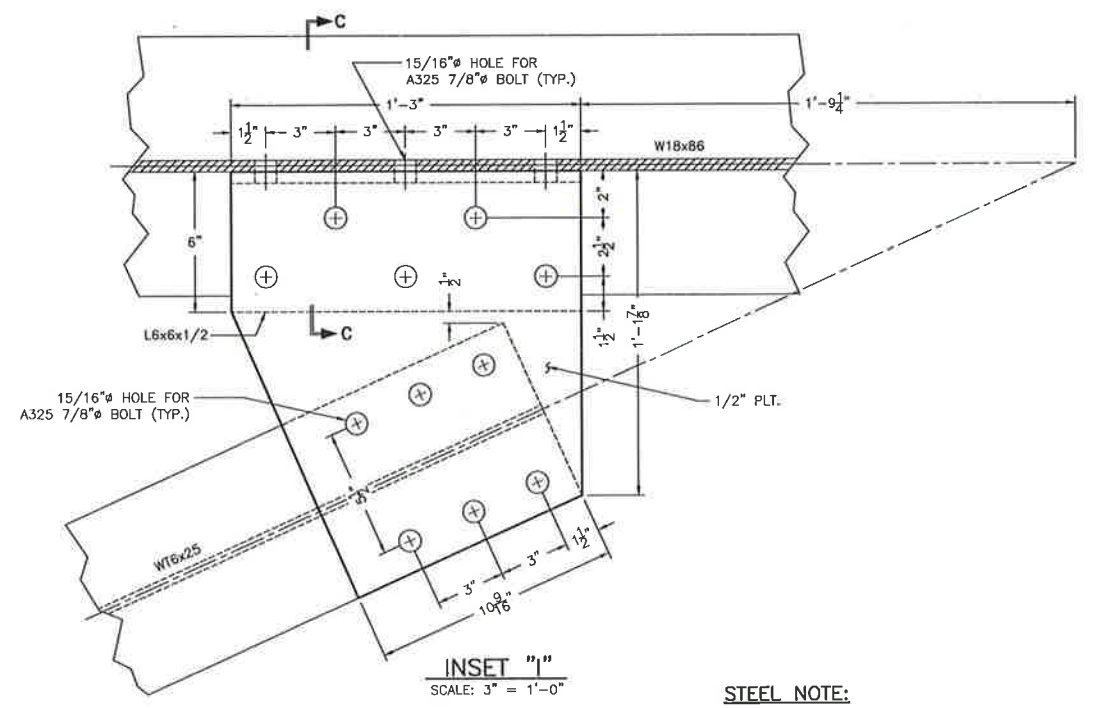
THIS DRAWING AND ALL INFORMATION AND DESIGNS THEREON ARE THE PROPERTY OF PICCIOLA & ASSOCIATES, INC. THIS DRAWING IS CONFIDENTIAL AND MUST NOT BE MADE PUBLIC OR COPIED, REPRODUCED OR USED IN WHOLE OR IN PART WITHOUT PRIOR WRITTEN AUTHORIZATION FROM PICCIOLA & ASSOCIATES, INC. AND IS SUBJECT TO RETURN UPON DEMAND. NO USE OF THIS DRAWING OR ANY INFORMATION OR DESIGNS THEREON IS PERMITTED EXCEPT AS IS SPECIFICALLY AUTHORIZED IN WRITING BY PICCIOLA & ASSOCIATES, INC. ACCEPTANCE OF POSSESSION OF THIS DRAWING CONSTITUTES FULL AGREEMENT WITH THE ABOVE CONDITIONS.



INSET "K"
SCALE: 3" = 1'-0"



SECTION "K"- "K"
SCALE: 3" = 1'-0"



INSET "J"
SCALE: 3" = 1'-0"

STEEL NOTE:
ALL STRUCTURAL SHAPES AND PLATES FOR SWING ARM SHALL BE ASTM A572 GRADE 50.

NOTE
THE HOLES IN THE 3-1/2" & 1-3/4" PLT. TO RECEIVE 2-1/4" PIN SHALL BE 2-7/16" (TYP.)

RECORD DRAWING

These compiled engineering as-built record drawings are a compilation of a copy of the original sealed engineering design drawings for this project, modified by addenda, change orders and information furnished by the contractor. The information shown on these compiled engineering as-built record drawings that was provided by the contractor or others not associated with me cannot be verified for accuracy or completeness. My compilation of this information does not relieve the contractor of responsibility for errors resultant to incorrect, incomplete or omitted data on the contractor's as-built record drawings - nor does it relieve the contractor of responsibility for non-conformance with the original contract documents. The original sealed engineering drawings are on file in the offices of Providence Engineering and Design, LLC. The professional engineer was Joseph C. Picciola, II with License Number 25614. (January 5, 2017)

THIS DRAWING AND ALL INFORMATION AND DESIGNS THEREON ARE THE PROPERTY OF PICCIOLA & ASSOCIATES, INC. THIS DRAWING IS CONFIDENTIAL AND MUST NOT BE MADE PUBLIC OR COPIED, REPRODUCED OR USED IN WHOLE OR IN PART WITHOUT PRIOR WRITTEN AUTHORIZATION FROM PICCIOLA & ASSOCIATES, INC. AND IS SUBJECT TO RETURN UPON DEMAND. NO USE OF THIS DRAWING OR ANY INFORMATION OR DESIGNS THEREON IS PERMITTED EXCEPT AS IS SPECIFICALLY AUTHORIZED IN WRITING BY PICCIOLA & ASSOCIATES, INC. ACCEPTANCE OF POSSESSION OF THIS DRAWING CONSTITUTES FULL AGREEMENT WITH THE ABOVE CONDITIONS.



PICCIOLA & ASSOCIATES, INC.
CIVIL ENGINEERS NAVAL ARCHITECTS
LAND SURVEYORS MARINE ENGINEERS
P.O. BOX 687
CUT OFF, LOUISIANA 70345
(985) 632-5786

DESIGNED BY: J.C.P. DRAWN BY: T.D.E. CHECKED BY: J.C.P.

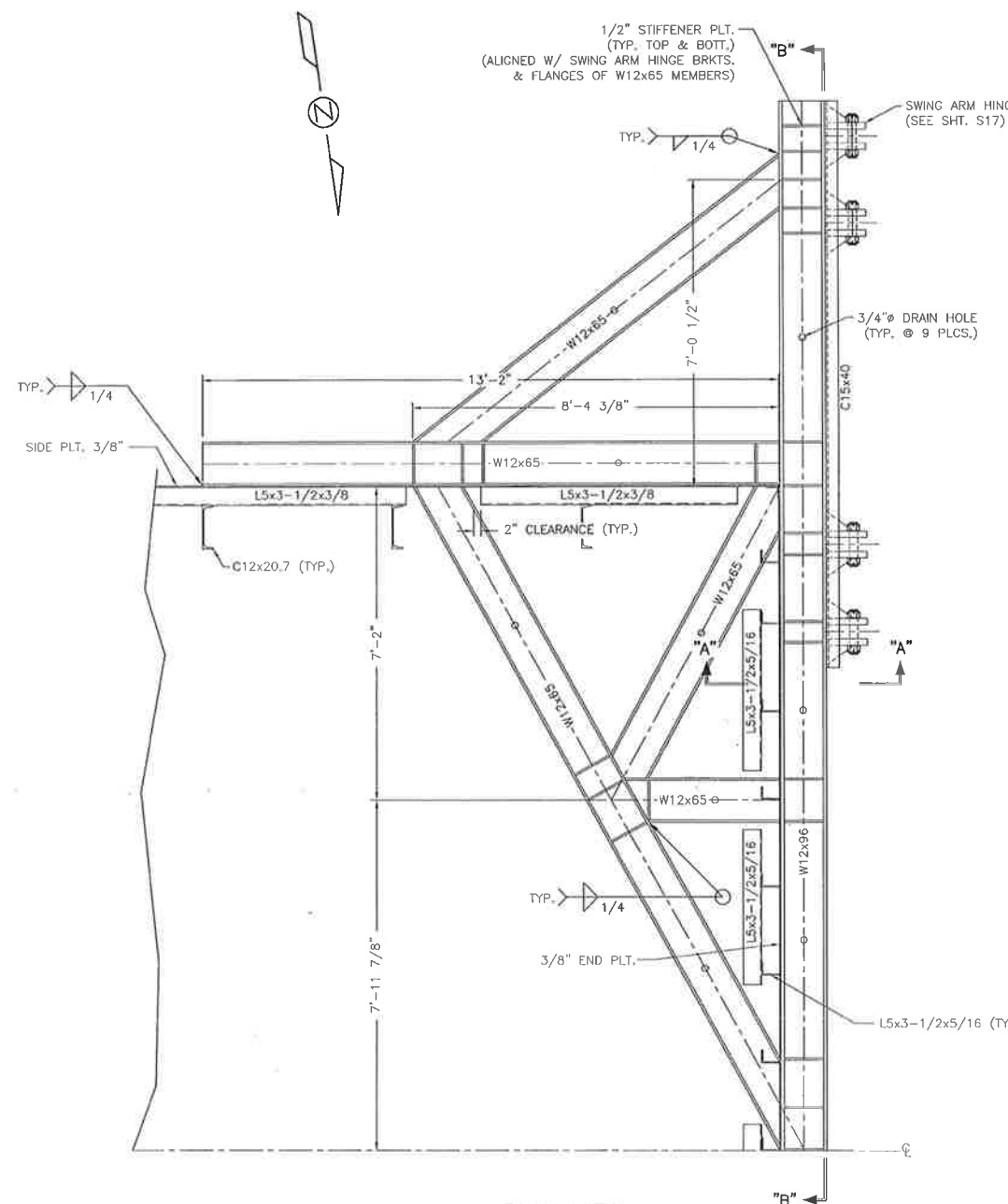
DATE: OCTOBER 22, 2012
SCALE: AS SHOWN

PROVIDENCE/ GSE Associates, LLC
DULAC PONTOON BRIDGE
SWING ARM DETAILS
DULAC, LA. TERREBONNE PARISH

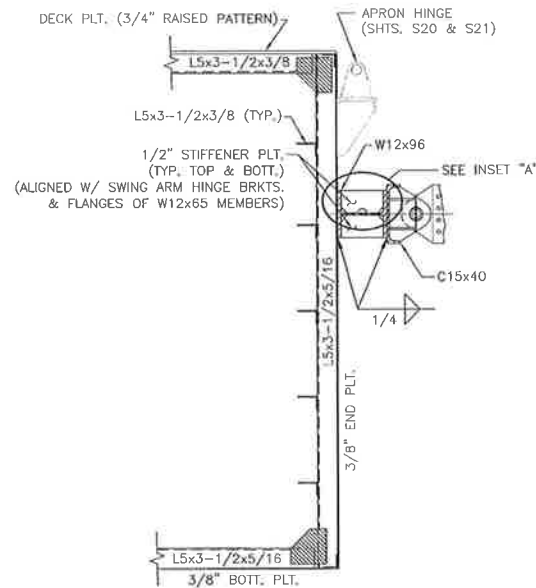
SHEET NO. **S17**
17 OF 32

ORIGINAL

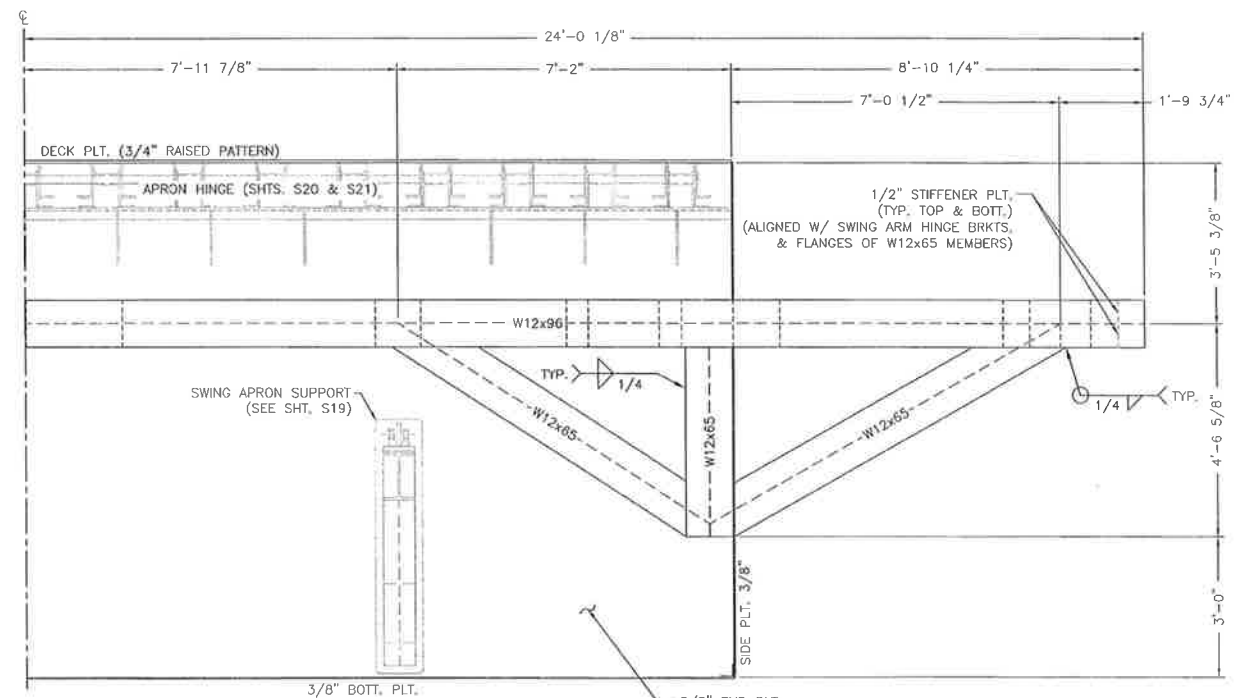
E:112-DJR\04161202 Gulf South Engineers Providence - Dulac Pontoon Bridge Rehabilitation\ACAD\CURRENT\POINTON BARGE.dwg, PIVOT ARM BARGE CONN, 3/9/2015 11:35:01 AM



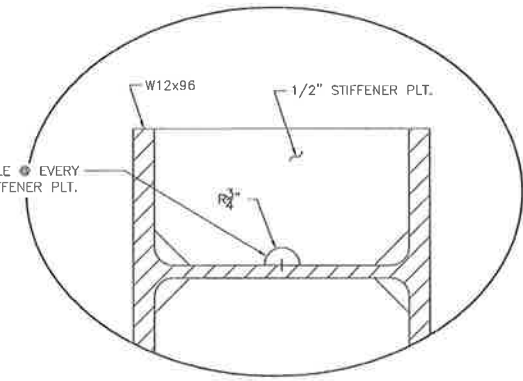
PLAN VIEW
SCALE: 1/2" = 1'-0"



SECTION "A" - "A"
SCALE: 1/2" = 1'-0"



SECTION "B" - "B"
SCALE: 1/2" = 1'-0"



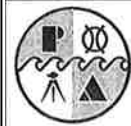
INSET "A"
SCALE: 3" = 1'-0"

STEEL NOTE:
ALL STRUCTURAL SHAPES AND PLATES FOR SWING ARM SHALL BE ASTM A572 GRADE 50.

RECORD DRAWING

These compiled engineering as-built record drawings are a compilation of a copy of the original sealed engineering design drawings for this project, modified by addenda, change orders and information furnished by the contractor. The information shown on these compiled engineering as-built record drawings that was provided by the contractor or others not associated with me cannot be verified for accuracy or completeness. My compilation of this information does not relieve the contractor of responsibility for errors resultant to incorrect, incomplete or omitted data on the contractor's as-built record drawings - nor does it relieve the contractor of responsibility for non-conformance with the original contract documents. The original sealed engineering drawings are on file in the offices of Providence Engineering and Design, LLC. The professional engineer was Joseph C. Picciola, II with License Number 25614, (January 5, 2017)

THIS DRAWING AND ALL INFORMATION AND DESIGNS THEREON ARE THE PROPERTY OF PICCIOLA & ASSOCIATES, INC. THIS DRAWING IS CONFIDENTIAL AND MUST NOT BE MADE PUBLIC OR COPIED, REPRODUCED OR USED IN WHOLE OR IN PART WITHOUT PRIOR WRITTEN AUTHORIZATION FROM PICCIOLA & ASSOCIATES, INC. AND IS SUBJECT TO RETURN UPON DEMAND. NO USE OF THIS DRAWING OR ANY INFORMATION OR DESIGNS THEREON IS PERMITTED EXCEPT AS SPECIFICALLY AUTHORIZED IN WRITING BY PICCIOLA & ASSOCIATES, INC. ACCEPTANCE OF POSSESSION OF THIS DRAWING CONSTITUTES FULL AGREEMENT WITH THE ABOVE CONDITIONS.



PICCIOLA & ASSOCIATES, INC.
CIVIL ENGINEERS LAND SURVEYORS
NAVAL ARCHITECTS MARINE ENGINEERS
P.O. BOX. 687
CUT OFF, LOUISIANA 70345
(985) 632-5786

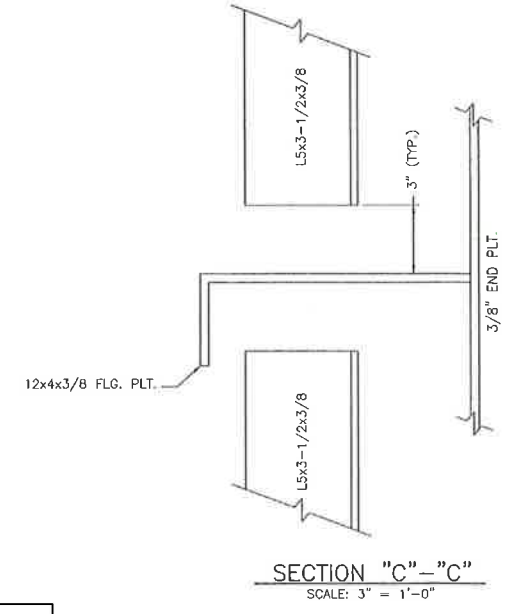
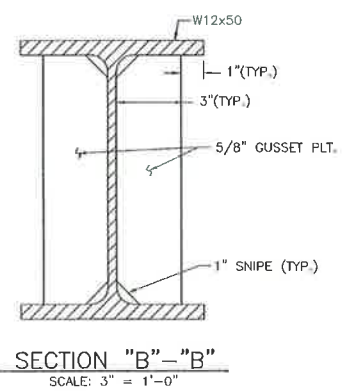
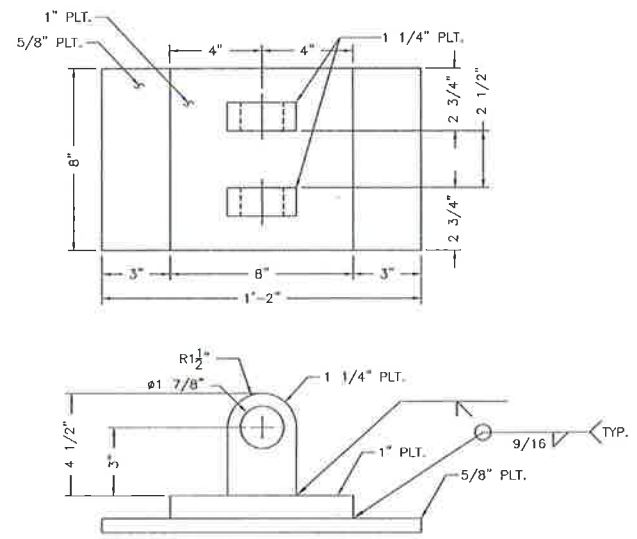
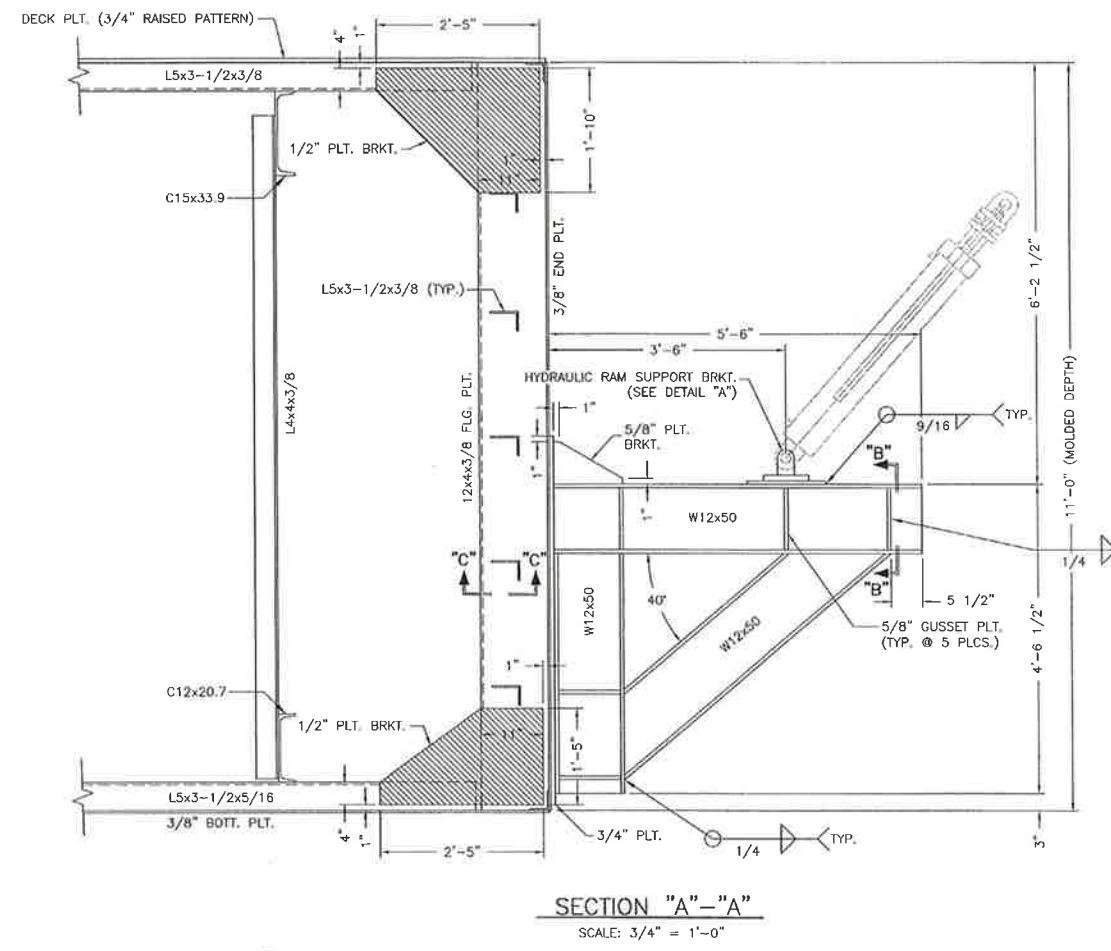
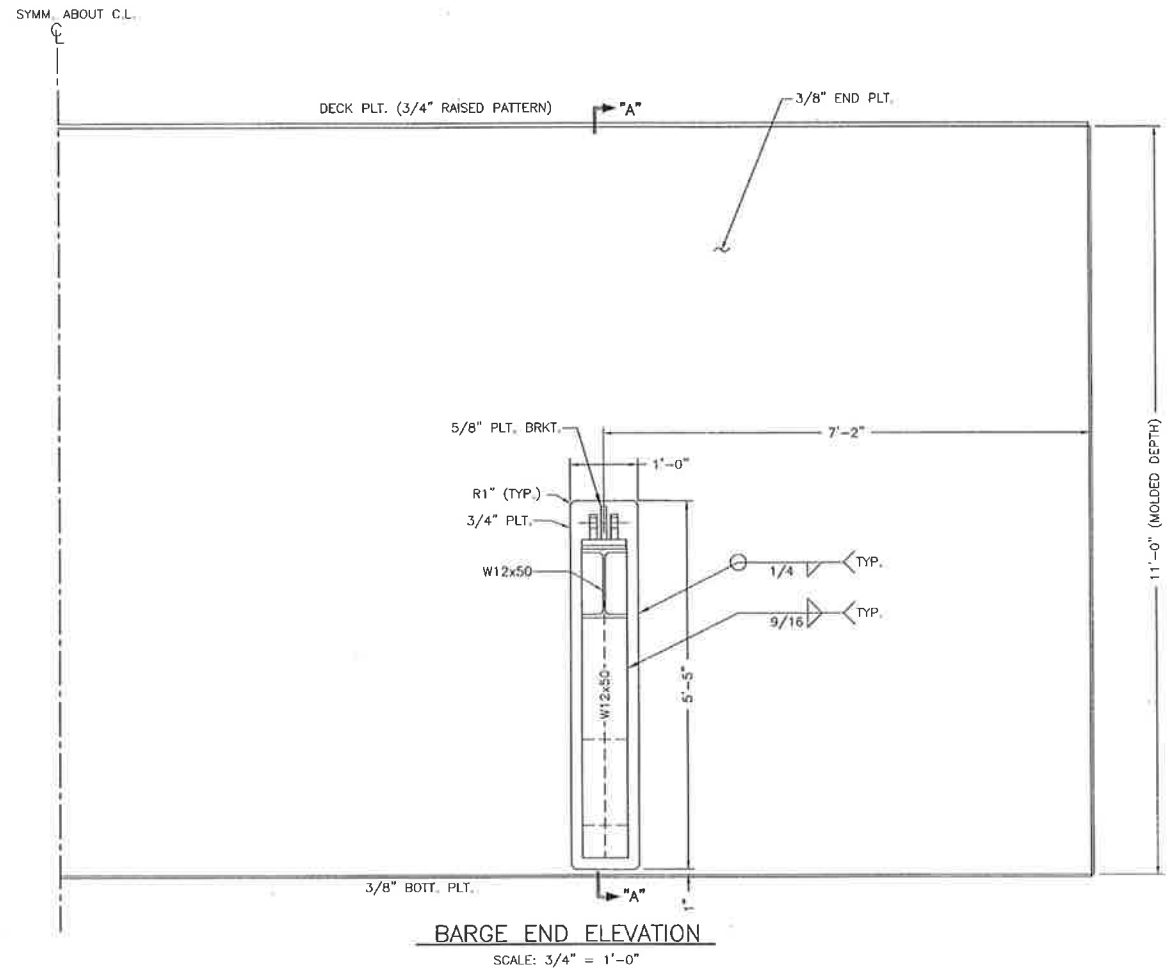
DESIGNED BY: J.C.P.
DRAWN BY: S.M.Z.
CHECKED BY: J.C.P.

DATE:
OCTOBER 22, 2012
SCALE:
AS SHOWN

**PROVIDENCE/
GSE Associates, LLC**
DULAC PONTOON BRIDGE
SWING ARM TO BARGE CONNECTION
DULAC, LA. TERREBONNE PARISH

SHEET NO.
S18
18 OF 32

E:\12-DJR\04161202 Gulf South Engineers Providence - Dulac Pontoon Bridge Rehabilitation\ACAD\CURRENT\POINTON BARGE.dwg, SWING APRON SUPPORT, 8/29/2014 10:42:21 AM




See S19 Rev. 1

RECORD DRAWING

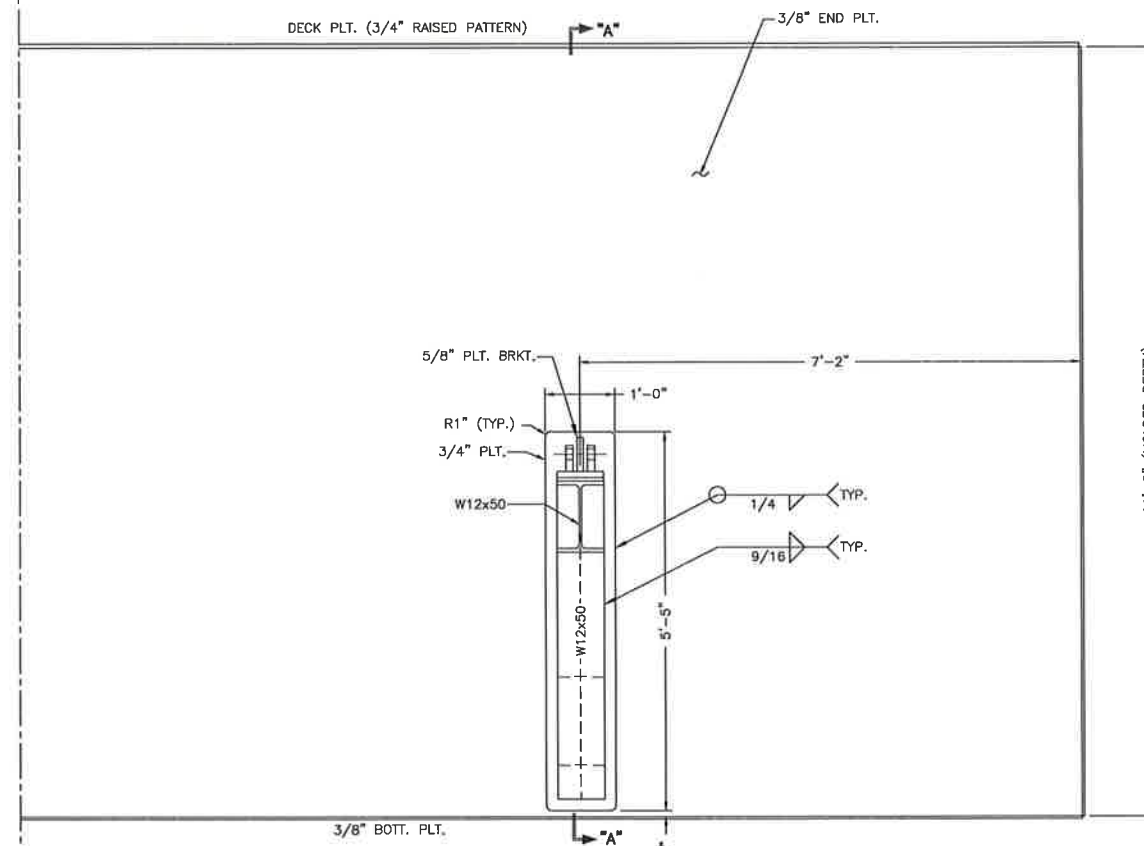
These compiled engineering as-built record drawings are a compilation of a copy of the original sealed engineering design drawings for this project, modified by addenda, change orders and information furnished by the contractor. The information shown on these compiled engineering as-built record drawings that was provided by the contractor or others not associated with me cannot be verified for accuracy or completeness. My compilation of this information does not relieve the contractor of responsibility for errors resultant to incorrect, incomplete or omitted data on the contractor's as-built record drawings - nor does it relieve the contractor of responsibility for non-conformance with the original contract documents. The original sealed engineering drawings are on file in the offices of Providence Engineering and Design, LLC. The professional engineer was Joseph C. Picciola, II with License Number 25614. (January 5, 2017)

THIS DRAWING AND ALL INFORMATION AND DESIGNS THEREON ARE THE PROPERTY OF PICCIOLA & ASSOCIATES, INC. THIS DRAWING IS CONFIDENTIAL AND MUST NOT BE MADE PUBLIC OR COPIED, REPRODUCED OR USED IN WHOLE OR IN PART WITHOUT PRIOR WRITTEN AUTHORIZATION FROM PICCIOLA & ASSOCIATES, INC. AND IS SUBJECT TO RETURN UPON DEMAND. NO USE OF THIS DRAWING OR ANY INFORMATION OR DESIGNS THEREON IS PERMITTED EXCEPT AS IS SPECIFICALLY AUTHORIZED IN WRITING BY PICCIOLA & ASSOCIATES, INC. ACCEPTANCE OF POSSESSION OF THIS DRAWING CONSTITUTES FULL AGREEMENT WITH THE ABOVE CONDITIONS.

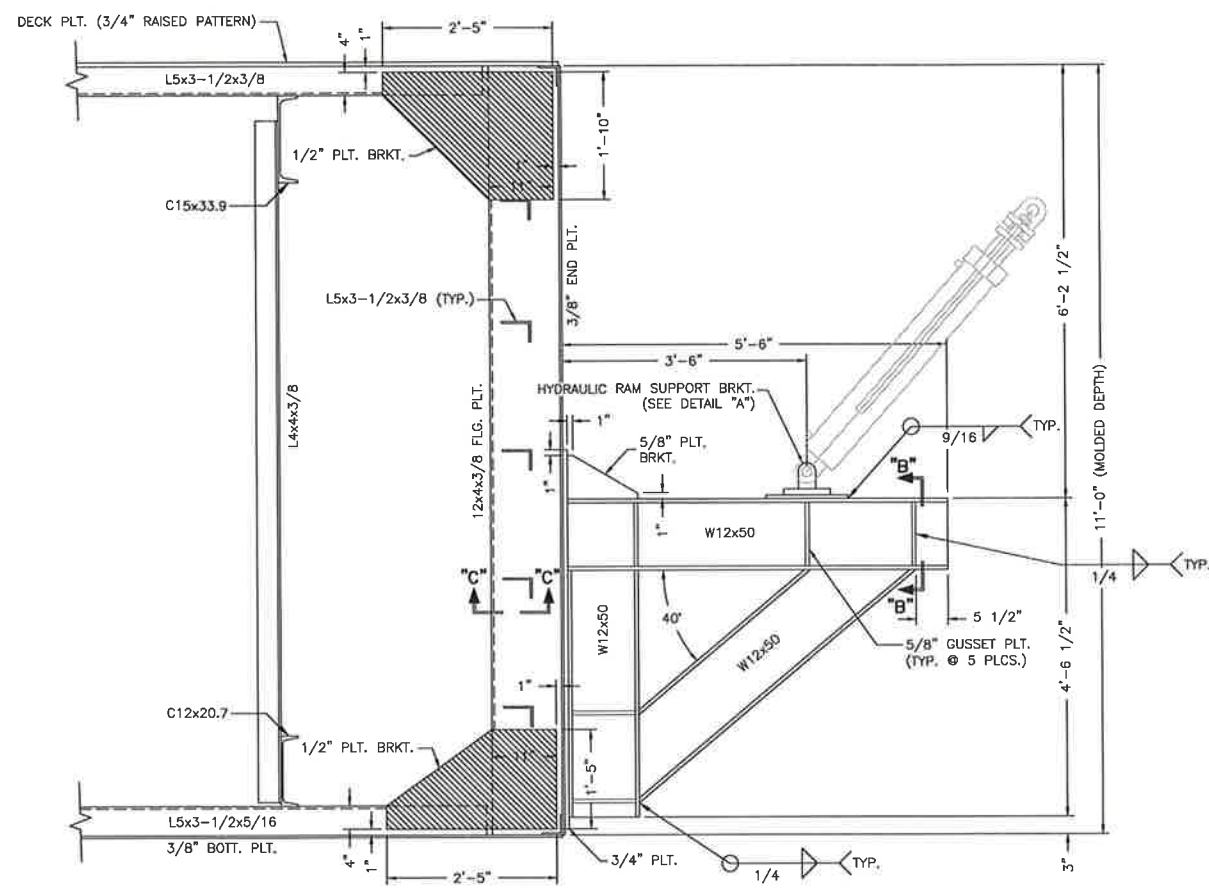
 PICCIOLA & ASSOCIATES, INC. CIVIL ENGINEERS LAND SURVEYORS P.O. BOX. 687 CUT OFF, LOUISIANA 70345 (985) 632-5766	DATE: OCTOBER 22, 2012	PROVIDENCE/ GSE Associates, LLC DULAC PONTOON BRIDGE SWING APRON SUPPORT DULAC, LA.	SHEET NO. S19
	SCALE: AS SHOWN		19 of 32
DESIGNED BY: J.C.P.	DRAWN BY: S.M.Z.	CHECKED BY: J.C.P.	TERREBONNE PARISH

E:\12-DP\01\121202 Gulf South Engineers Providence - Dulac Pontoon Bridge Rehabilitation\ACAD\CURRENT\PTOON BARGE.dwg, SWING APRON SUPPORT, 3/1/2016 9:34:34 AM

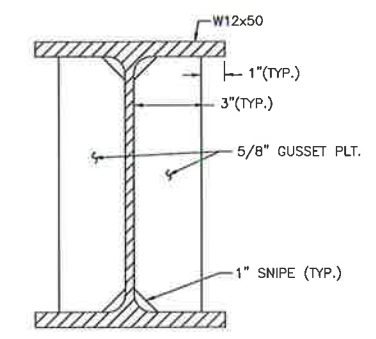
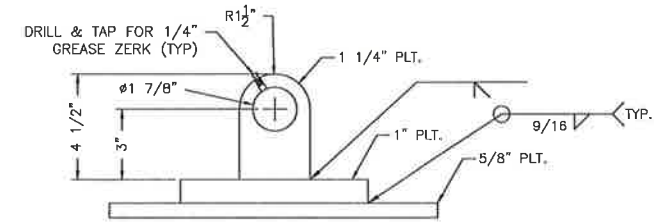
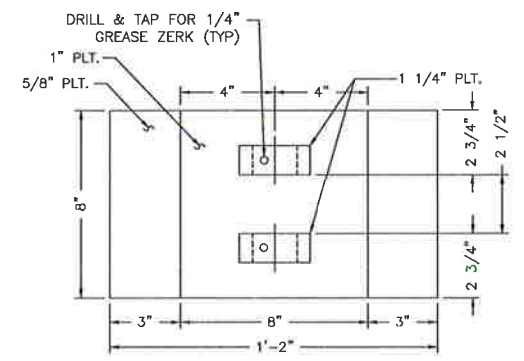
SYMM. ABOUT C.L.



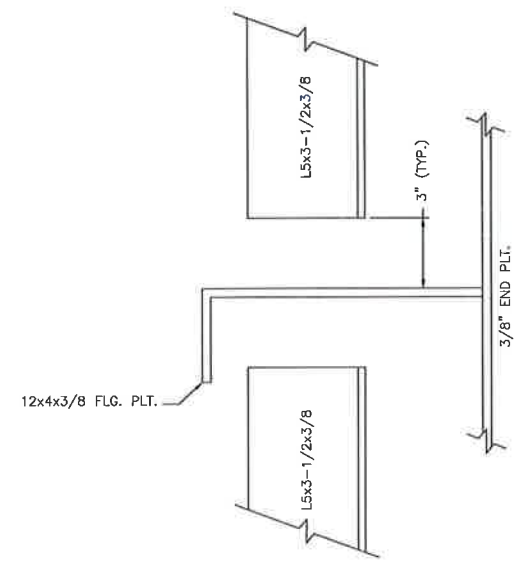
BARGE END ELEVATION
SCALE: 3/4" = 1'-0"



SECTION "A"- "A"
SCALE: 3/4" = 1'-0"



SECTION "B"- "B"
SCALE: 3" = 1'-0"



SECTION "C"- "C"
SCALE: 3" = 1'-0"

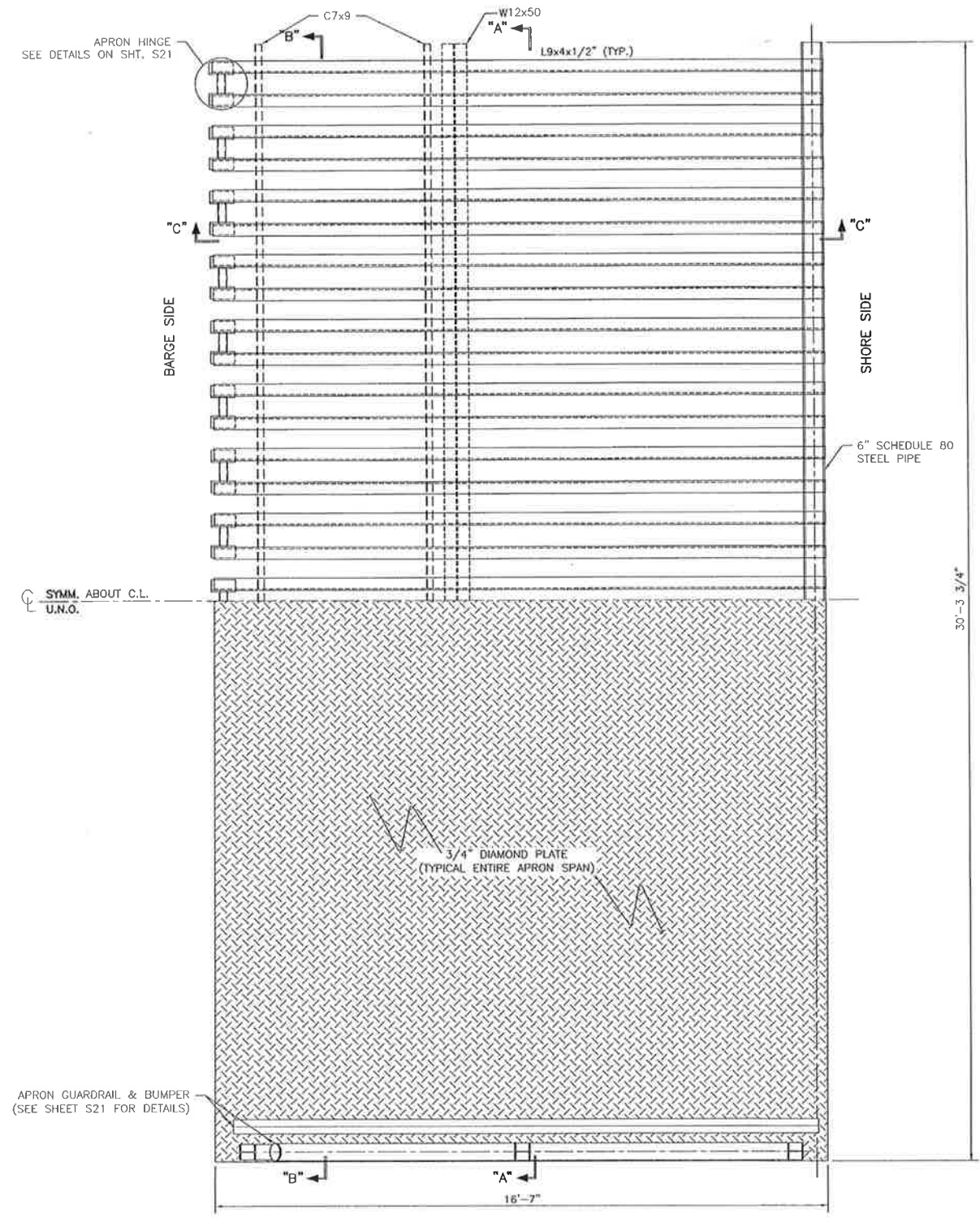
RECORD DRAWING

These compiled engineering as-built record drawings are a compilation of a copy of the original sealed engineering design drawings for this project, modified by addenda, change orders and information furnished by the contractor. The information shown on these compiled engineering as-built record drawings that was provided by the contractor or others not associated with me cannot be verified for accuracy or completeness. My compilation of this information does not relieve the contractor of responsibility for errors resultant to incorrect, incomplete or omitted data on the contractor's as-built record drawings - nor does it relieve the contractor of responsibility for non-conformance with the original contract documents. The original sealed engineering drawings are on file in the offices of Providence Engineering and Design, LLC. The professional engineer was Joseph C. Picciola, II with License Number 25614. (January 5, 2017)

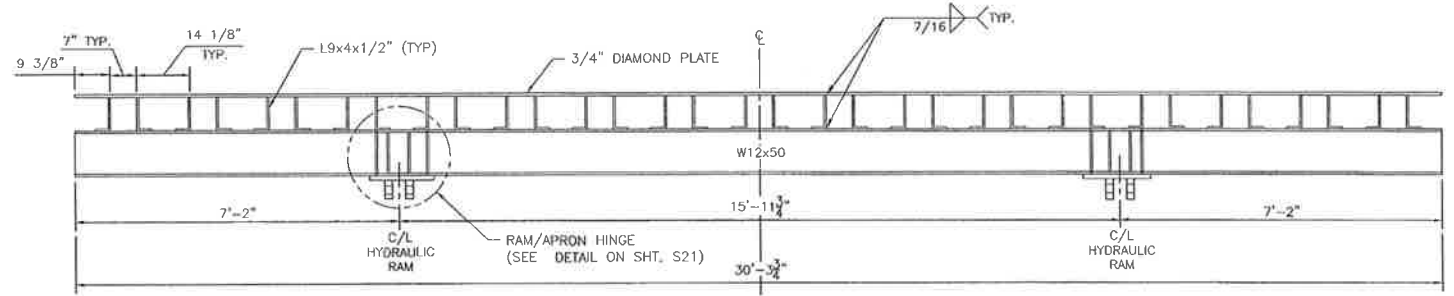
THIS DRAWING AND ALL INFORMATION AND DESIGNS THEREON ARE THE PROPERTY OF PICCIOLA & ASSOCIATES, INC. THIS DRAWING IS CONFIDENTIAL AND MUST NOT BE MADE PUBLIC OR COPIED, REPRODUCED OR USED IN WHOLE OR IN PART WITHOUT PRIOR WRITTEN AUTHORIZATION FROM PICCIOLA & ASSOCIATES, INC. AND IS SUBJECT TO RETURN UPON DEMAND. NO USE OF THIS DRAWING OR ANY INFORMATION OR DESIGNS THEREON IS PERMITTED EXCEPT AS IS SPECIFICALLY AUTHORIZED IN WRITING BY PICCIOLA & ASSOCIATES, INC. ACCEPTANCE OF POSSESSION OF THIS DRAWING CONSTITUTES FULL AGREEMENT WITH THE ABOVE CONDITIONS.

 <p>PICCIOLA & ASSOCIATES, INC. CIVIL ENGINEERS LAND SURVEYORS NAVAL ARCHITECTS MARINE ENGINEERS P.O. BOX 687 CUT OFF, LOUISIANA 70345 (985) 632-5766</p>	<p>DATE: OCTOBER 22, 2012</p>	<p>PROVIDENCE/ GSE Associates, LLC</p> <p>DULAC PONTOON BRIDGE SWING APRON SUPPORT</p> <p>DULAC, LA. TERREBONNE PARISH</p>	<p>SHEET NO. S19</p>
	<p>SCALE: AS SHOWN</p>		<p>19 OF 32</p>
<p>DESIGNED BY: J.C.P.</p>	<p>DRAWN BY: S.M.Z.</p>	<p>CHECKED BY: J.C.P.</p>	

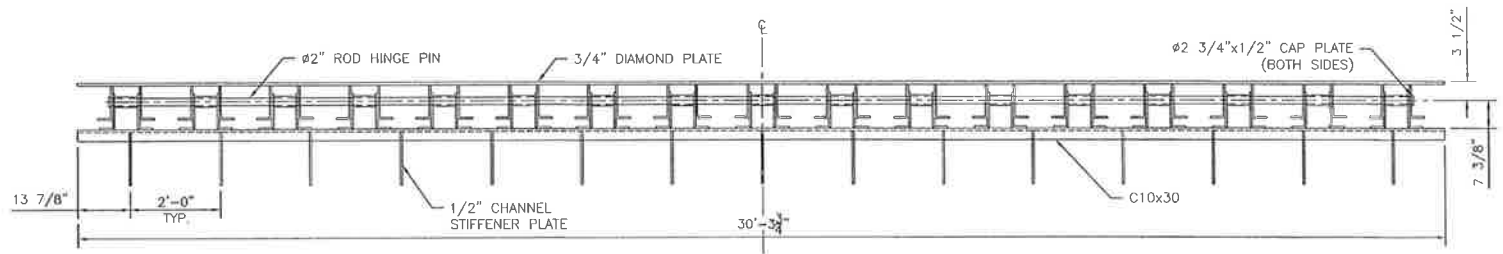
E:\12-DIB\04161202 Gulf South Engineers Providence - Dulac Pontoon Bridge Rehabilitation\MCD\CURE\RT\APRON.dwg, APRON, 8/29/2014 10:45:51 AM



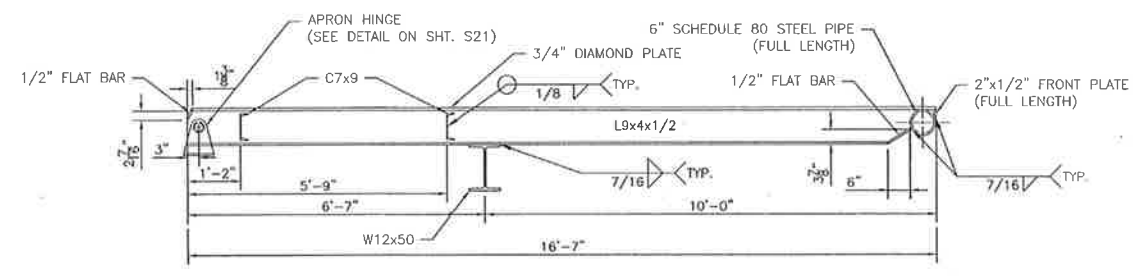
APRON
SCALE: 1/2"=1'-0"



SECTION "A"- "A"
SCALE: 1/2"=1'-0"



SECTION "B"- "B"
SCALE: 1/2"=1'-0"



SECTION "C"- "C"
SCALE: 1/2"=1'-0"

GENERAL NOTES:

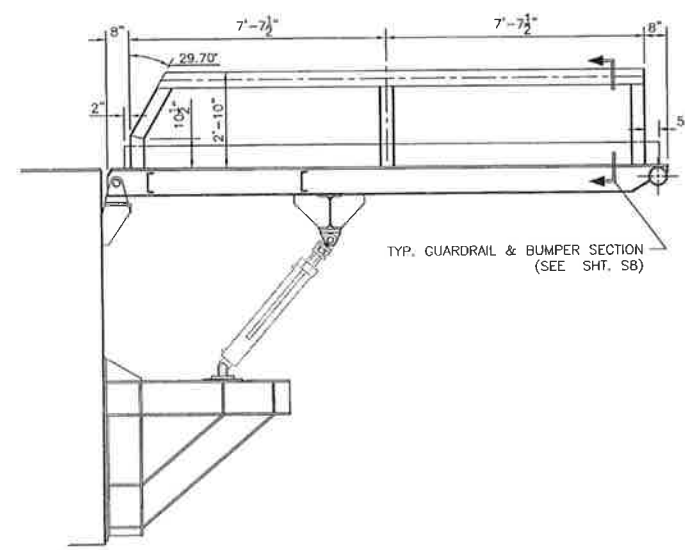
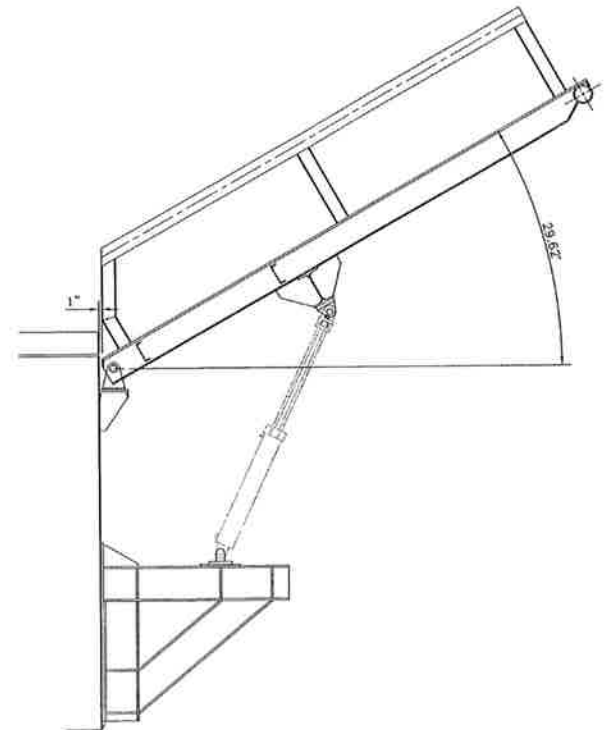
1. CONTRACTOR SHALL VERIFY APRON DIMENSIONS PRIOR TO FABRICATION.
2. ALL MATERIALS UTILIZED IN THE CONSTRUCTION OF THE APRON SPANS SHALL BE GALVANIZED STEEL, INCLUDING BOLTS AND OTHER HARDWARE.
3. ALL STRUCTURAL STEEL AND MISCELLANEOUS STEEL SHALL BE ASTM A709 GRADE 36 UNLESS DESIGNATED IN PLANS OTHERWISE.
4. ALL WELDS TO BE STANDARD FILLET WELDS CONFORMING TO OTHER REQUIREMENTS OF AWS D1.1. ALL WELDS SHALL BE CONTINUOUS.
5. NO FIELD WELDING SHALL BE PERMITTED UNLESS OTHERWISE DESIGNATED. ELECTROSLAG WELDING SHALL NOT BE PERMITTED.
6. ALL HARDWARE UTILIZED IN THE CONSTRUCTION OF THE APRON SPANS SHALL BE HOT DIPPED GALVANIZED. BOLT LENGTHS SHOWN ARE APPROXIMATE.

RECORD DRAWING

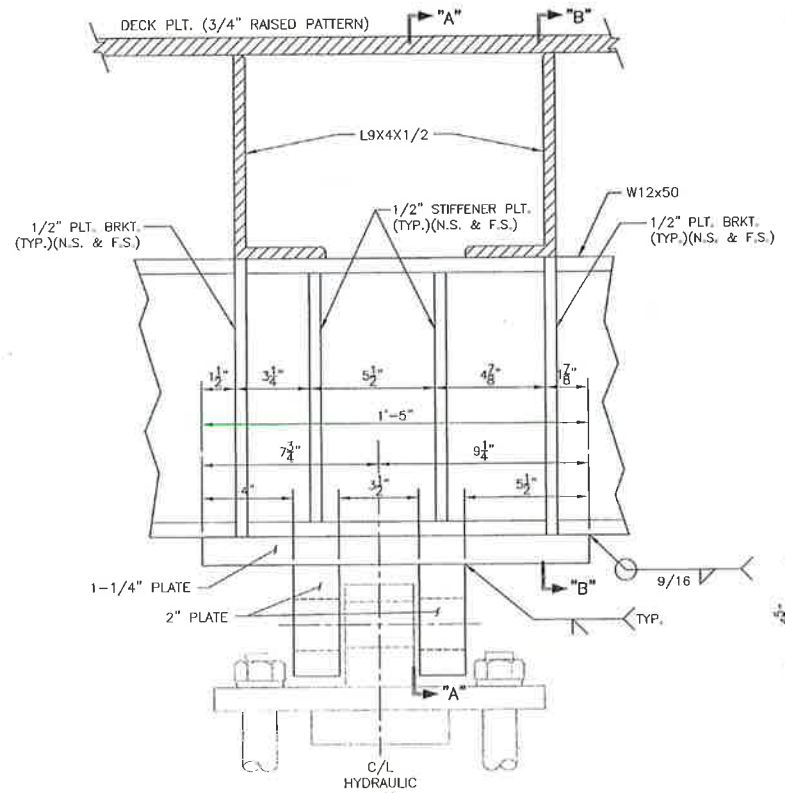
These compiled engineering as-built record drawings are a compilation of a copy of the original sealed engineering design drawings for this project, modified by addenda, change orders and information furnished by the contractor. The information shown on these compiled engineering as-built record drawings (not was provided by the contractor or others not associated with me) cannot be verified for accuracy or completeness. My compilation of this information does not relieve the contractor of responsibility for errors resultant to incorrect, incomplete or omitted data on the contractor's as-built record drawings - nor does it relieve the contractor of responsibility for non-conformance with the original contract documents. The original sealed engineering drawings are on file in the offices of Providence Engineering and Design, LLC. The professional engineer was Joseph C. Picciola, II with License Number 25614. (January 5, 2017)

THIS DRAWING AND ALL INFORMATION AND DESIGNS THEREON ARE THE PROPERTY OF PICCIOLA & ASSOCIATES, INC. THIS DRAWING IS CONFIDENTIAL AND MUST NOT BE MADE PUBLIC OR COPIED, REPRODUCED OR USED IN WHOLE OR IN PART WITHOUT PRIOR WRITTEN AUTHORIZATION FROM PICCIOLA & ASSOCIATES, INC. AND IS SUBJECT TO RETURN UPON DEMAND. NO USE OF THIS DRAWING OR ANY INFORMATION OR DESIGNS THEREON IS PERMITTED EXCEPT AS IS SPECIFICALLY AUTHORIZED IN WRITING BY PICCIOLA & ASSOCIATES, INC. ACCEPTANCE OF POSSESSION OF THIS DRAWING CONSTITUTES FULL AGREEMENT WITH THE ABOVE CONDITIONS.

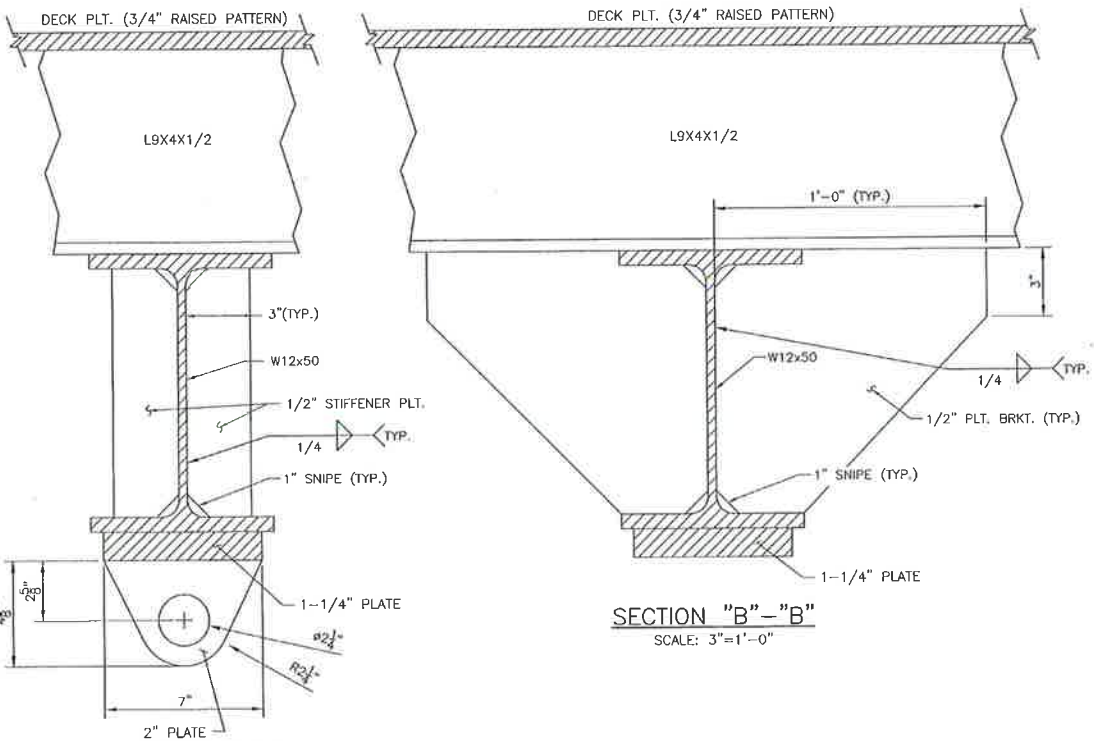
 PICCIOLA & ASSOCIATES, INC. CIVIL ENGINEERS LAND SURVEYORS NAVAL ARCHITECTS MARINE ENGINEERS P.O. BOX 697 CUT OFF, LOUISIANA 70345 (985) 632-5786	DATE: OCTOBER 22, 2012	PROVIDENCE/ GSE Associates, LLC DULAC PONTOON BRIDGE APRON DULAC, LA.	SHEET NO. S20
	SCALE: AS SHOWN		20 OF 32
DESIGNED BY: J.C.P.	DRAWN BY: T.D.E.	TERREBONNE PARISH	



APRON OPEN/CLOSED CLEARANCES
SCALE: 1/2"=1'-0"

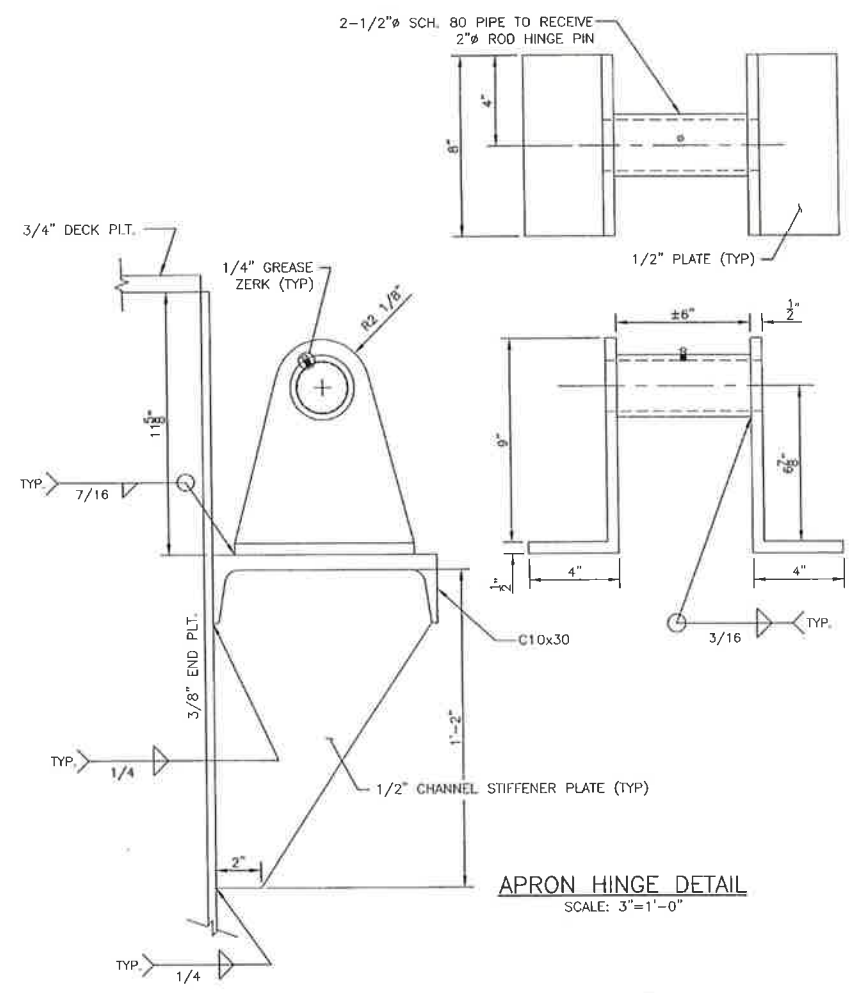


RAM/APRON HINGE DETAIL
LEFT HINGE SHOWN, RIGHT HINGE SIM., OPP. HAND
SCALE: 3"=1'-0"



SECTION "B"-B"
SCALE: 3"=1'-0"

SECTION "A"-A"
SCALE: 3"=1'-0"



APRON HINGE DETAIL
SCALE: 3"=1'-0"

See S21 Rev. 1

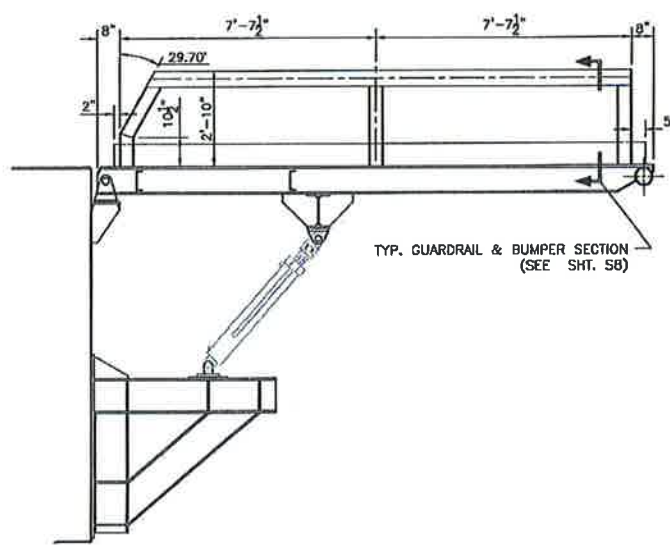
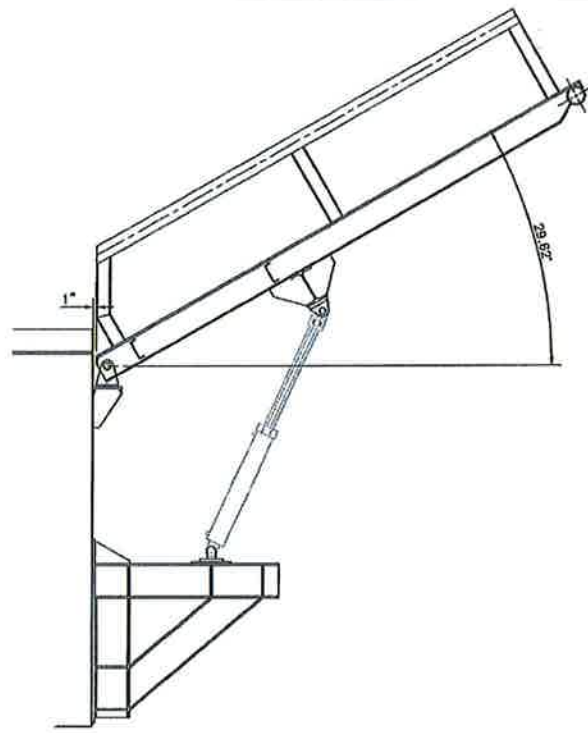
RECORD DRAWING

These compiled engineering as-built record drawings are a compilation of a copy of the original sealed engineering design drawings for this project, modified by addenda, change orders and information furnished by the contractor. The information shown on these compiled engineering as-built record drawings that was provided by the contractor or others not associated with me cannot be verified for accuracy or completeness. My compilation of this information does not relieve the contractor of responsibility for errors resultant to incorrect, incomplete or omitted data on the contractor's as-built record drawings - nor does it relieve the contractor of responsibility for non-conformance with the original contract documents. The original sealed engineering drawings are on file in the offices of Providence Engineering and Design, LLC. The professional engineer was Joseph C. Picciola, II with License Number 25614. (January 5, 2017)

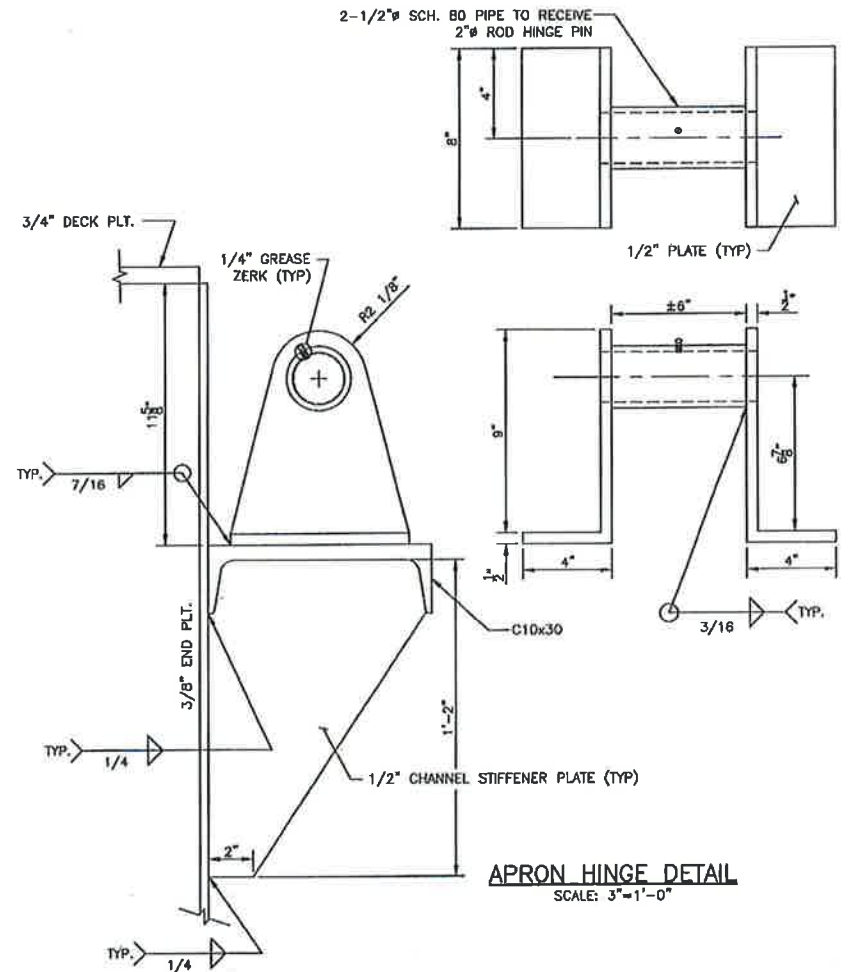
THIS DRAWING AND ALL INFORMATION AND DESIGNS THEREON ARE THE PROPERTY OF PICCIOLA & ASSOCIATES, INC. THIS DRAWING IS CONFIDENTIAL AND MUST NOT BE MADE PUBLIC OR COPIED, REPRODUCED OR USED IN WHOLE OR IN PART WITHOUT PRIOR WRITTEN AUTHORIZATION FROM PICCIOLA & ASSOCIATES, INC. AND IS SUBJECT TO RETURN UPON DEMAND. NO USE OF THIS DRAWING OR ANY INFORMATION OR DESIGNS THEREON IS PERMITTED EXCEPT AS IS SPECIFICALLY AUTHORIZED IN WRITING BY PICCIOLA & ASSOCIATES, INC. ACCEPTANCE OF POSSESSION OF THIS DRAWING CONSTITUTES FULL AGREEMENT WITH THE ABOVE CONDITIONS.

	PICCIOLA & ASSOCIATES, INC. CIVIL ENGINEERS LAND SURVEYORS NAVAL ARCHITECTS MARINE ENGINEERS		DATE: OCTOBER 22, 2012	PROVIDENCE/ GSE Associates, LLC DULAC PONTOON BRIDGE APRON DETAILS	SHEET NO. S21
	P.O. BOX 687 CUT OFF, LOUISIANA 70345 (985) 632-5786	DESIGNED BY: J.C.P.	DRAWN BY: T.D.E.		CHECKED BY: J.C.P.
			DULAC, LA. TERREBONNE PARISH		

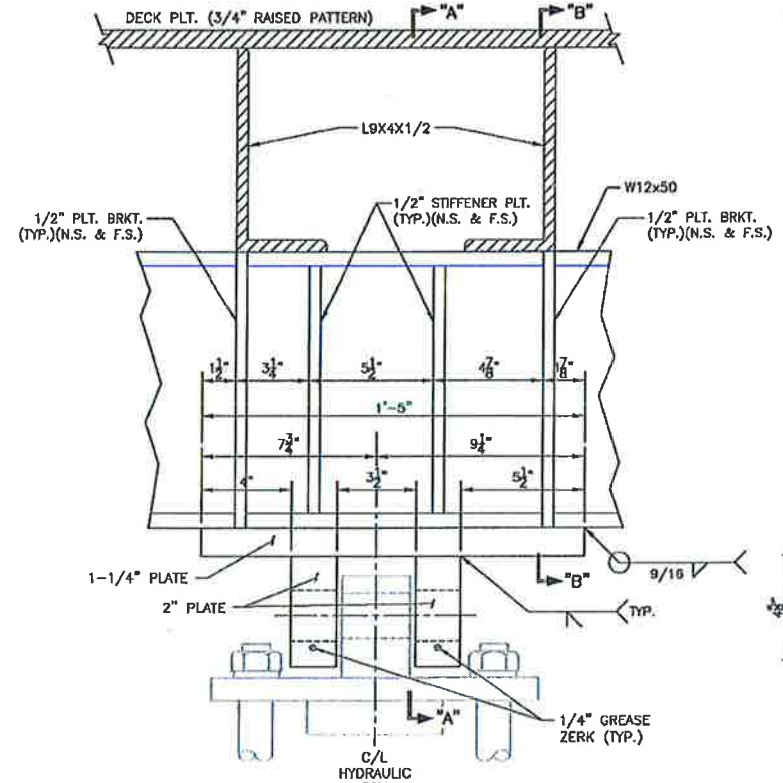
E:\12-DIR\04161202 Gulf South Engineers Providence - Dulac Pontoon Bridge - 8/29/2014 10:46:10 AM



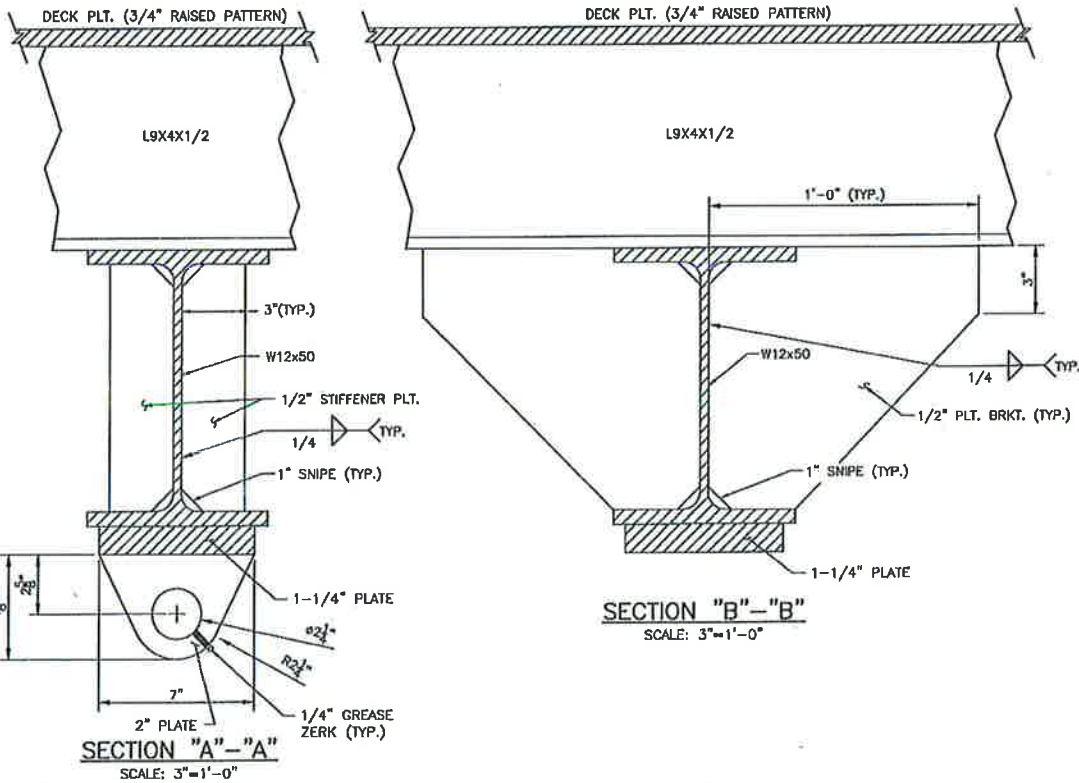
APRON OPEN/CLOSED CLEARANCES
SCALE: 1/2"=1'-0"



APRON HINGE DETAIL
SCALE: 3"=1'-0"



RAM/APRON HINGE DETAIL
LEFT HINGE SHOWN, RIGHT HINGE SIM., OPP. HAND
SCALE: 3"=1'-0"



SECTION "B"->"B"
SCALE: 3"=1'-0"

RECORD DRAWING

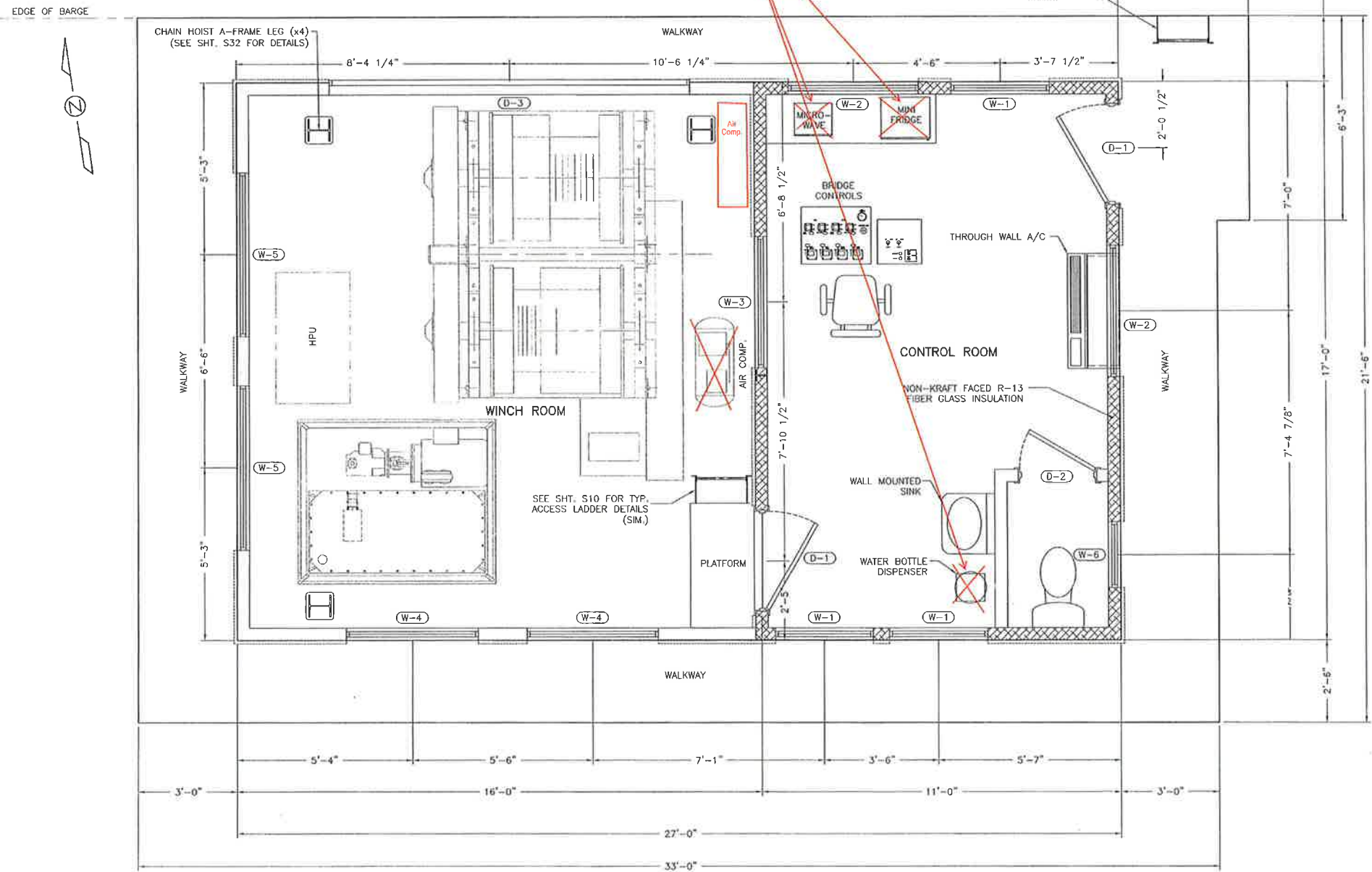
These compiled engineering as-built record drawings are a compilation of a copy of the original sealed engineering design drawings for this project, modified by addenda, change orders and information furnished by the contractor. The information shown on these compiled engineering as-built record drawings that was provided by the contractor or others not associated with me cannot be verified for accuracy or completeness. My compilation of this information does not relieve the contractor of responsibility for errors resultant to incorrect, incomplete or omitted data on the contractor's as-built record drawings - nor does it relieve the contractor of responsibility for non-conformance with the original contract documents. The original sealed engineering drawings are on file in the offices of Providence Engineering and Design, LLC. The professional engineer was Joseph C. Picciola, II with License Number 25614. (January 5, 2017)

THIS DRAWING AND ALL INFORMATION AND DESIGNS THEREON ARE THE PROPERTY OF PICCIOLA & ASSOCIATES, INC. THIS DRAWING IS CONFIDENTIAL AND MUST NOT BE MADE PUBLIC OR COPIED, REPRODUCED OR USED IN WHOLE OR IN PART WITHOUT PRIOR WRITTEN AUTHORIZATION FROM PICCIOLA & ASSOCIATES, INC. AND IS SUBJECT TO RETURN UPON DEMAND. NO USE OF THIS DRAWING OR ANY INFORMATION OR DESIGNS THEREON IS PERMITTED EXCEPT AS IS SPECIFICALLY AUTHORIZED IN WRITING BY PICCIOLA & ASSOCIATES, INC. ACCEPTANCE OF POSSESSION OF THIS DRAWING CONSTITUTES FULL AGREEMENT WITH THE ABOVE CONDITIONS.

	PICCIOLA & ASSOCIATES, INC. CIVIL ENGINEERS LAND SURVEYORS NAVAL ARCHITECTS MARINE ENGINEERS		DATE: OCTOBER 22, 2012	PROVIDENCE/ GSE Associates, LLC DULAC PONTOON BRIDGE APRON DETAILS	SHEET NO. S21
	DESIGNED BY: J.C.P.	DRAWN BY: T.D.E.	CHECKED BY: J.C.P.		
			P.O. BOX. 697 CUT OFF, LOUISIANA 70345 (985) 632-5786	DULAC, LA.	TERREBONNE PARISH

E:\12-DR\12161202 Gulf South Engineers Providence - Dulac Pontoon Bridge Rehabilitation\CAO\CURRENT\APRON.dwg, APRON DETAILS, 3/3/2016 8:49:34 AM

Items Removed
from Contract in
Addendum #2



CONTROL HOUSE FLOOR PLAN
SCALE: 1/2" = 1'-0"

SCHEDULE OF OPENINGS			
MARK	SIZE	QTY.	GLAZING
D-1	3'-0" x 6'-8"	2	24x24 DOUBLE GLAZE WITH LOCKS
D-2	2'-4" x 6'-8"	1	NONE
D-3	8'-0" x 11'-0"	1	METAL ROLL-UP DOOR W/ LOCK
W-1	3'-0" x 3'-0"	4	DOUBLE GLAZE/HORIZONTAL SLIDING
W-2	3'-0" x 4'-0"	1	DOUBLE GLAZE/HORIZONTAL SLIDING
W-3	3'-0" x 4'-0"	1	1/4" LEXAN - SINGLE PANEL
W-4	3'-0" x 4'-0"	2	SINGLE GLAZE/HORIZONTAL SLIDING
W-5	3'-0" x 5'-0"	2	SINGLE GLAZE/HORIZONTAL SLIDING
W-6	3'-0" x 2'-0"	1	DOUBLE GLAZE/HORIZONTAL SLIDING

RECORD DRAWING

These compiled engineering as-built record drawings are a compilation of a copy of the original sealed engineering design drawings for this project, modified by addenda, change orders and information furnished by the contractor. The information shown on these compiled engineering as-built record drawings that was provided by the contractor or others not associated with me cannot be verified for accuracy or completeness. My compilation of this information does not relieve the contractor of responsibility for errors resultant to incorrect, incomplete or omitted data on the contractor's as-built record drawings - nor does it relieve the contractor of responsibility for non-conformance with the original contract documents. The original sealed engineering drawings are on file in the offices of Providence Engineering and Design, LLC. The professional engineer was Joseph C. Picciola, II with License Number 25614. (January 5, 2017)

THIS DRAWING AND ALL INFORMATION AND DESIGNS THEREON ARE THE PROPERTY OF PICCIOLA & ASSOCIATES, INC. THIS DRAWING IS CONFIDENTIAL AND MUST NOT BE MADE PUBLIC OR COPIED, REPRODUCED OR USED IN WHOLE OR IN PART WITHOUT PRIOR WRITTEN AUTHORIZATION FROM PICCIOLA & ASSOCIATES, INC. AND IS SUBJECT TO RETURN UPON DEMAND. NO USE OF THIS DRAWING OR ANY INFORMATION OR DESIGNS THEREON IS PERMITTED EXCEPT AS IS SPECIFICALLY AUTHORIZED IN WRITING BY PICCIOLA & ASSOCIATES, INC. ACCEPTANCE OF POSSESSION OF THIS DRAWING CONSTITUTES FULL AGREEMENT WITH THE ABOVE CONDITIONS.



PICCIOLA & ASSOCIATES, INC.
CIVIL ENGINEERS
LAND SURVEYORS
NAVAL ARCHITECTS
MARINE ENGINEERS
P.O. BOX. 687
CUT OFF, LOUISIANA, 70345
(985) 632-5786

DESIGNED BY: J.C.P. DRAWN BY: S.M.Z. CHECKED BY: J.C.P.

DATE:
OCTOBER 22, 2017
SCALE:
1/2" = 1'-0"

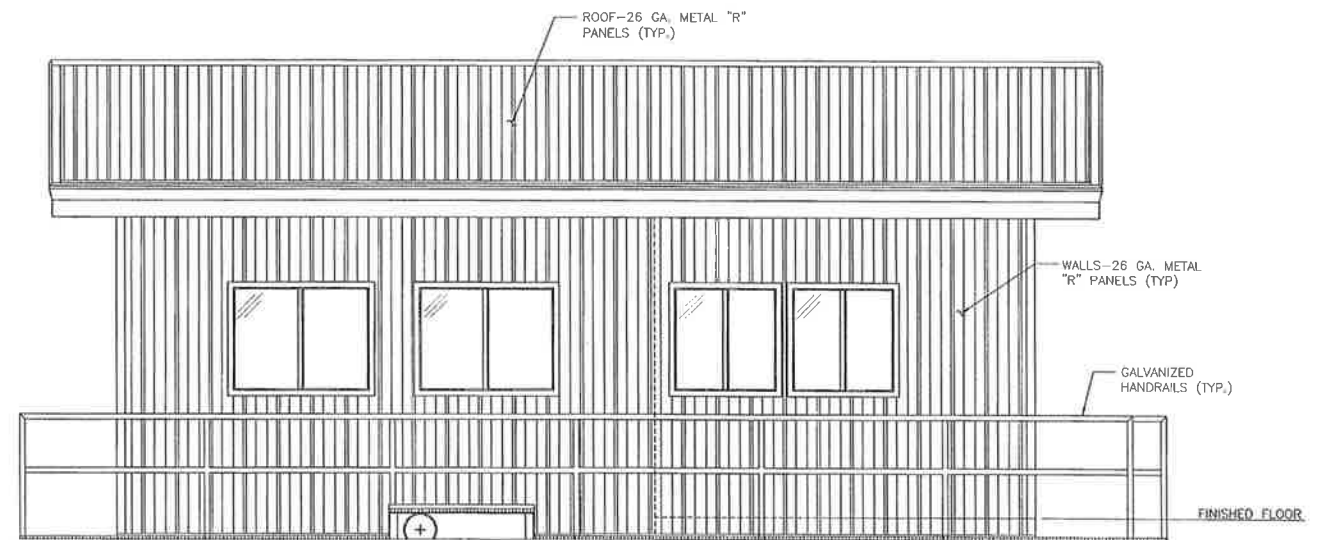
**PROVIDENCE/
GSE Associates, LLC**
DULAC PONTOON BRIDGE
CONTROL HOUSE FLOOR PLAN
DULAC, LA. TERREBONNE PARISH

SHEET NO.
S22
22 OF 32

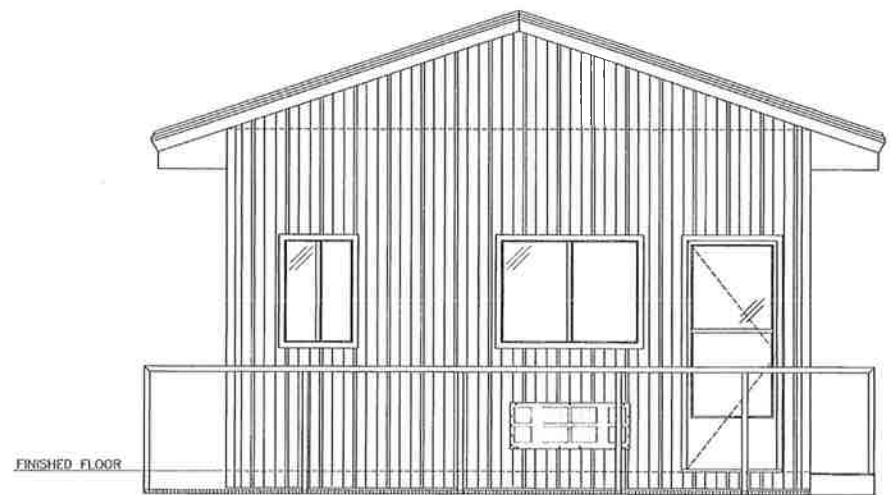
E:\13-DIR\04161202 Gulf South Engineers Providence - Dulac Pontoon Bridge.dwg, CONTROL HOUSE FLOOR PLAN, 8/29/2014 10:42:51 AM



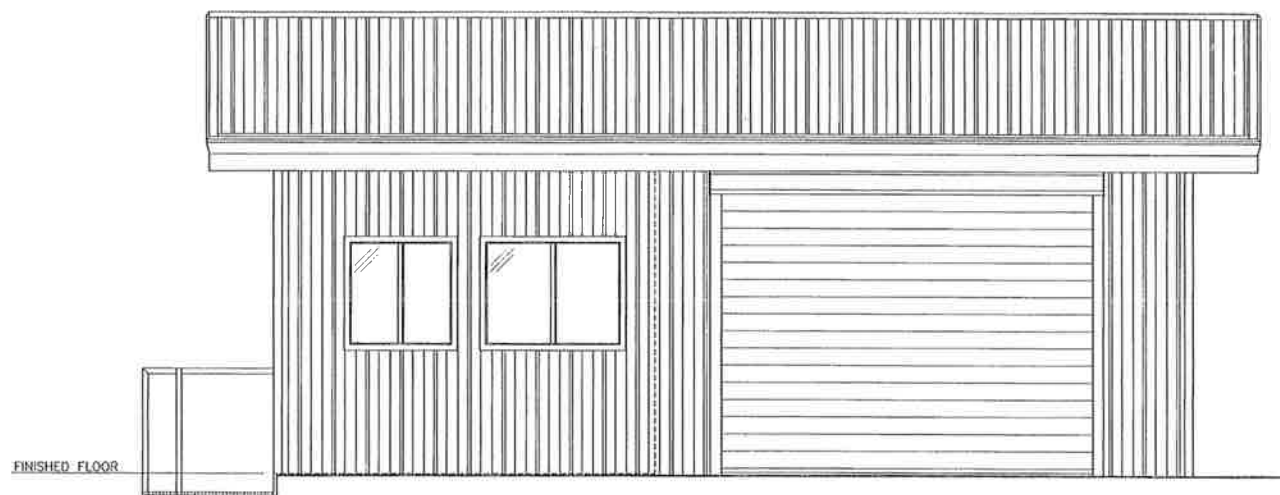
WEST ELEVATION
SCALE: 3/8" = 1'-0"



SOUTH ELEVATION
SCALE: 3/8" = 1'-0"



EAST ELEVATION
SCALE: 3/8" = 1'-0"



NORTH ELEVATION
SCALE: 3/8" = 1'-0"

NOTE:
SEE SHEET S22 FOR SCHEDULE OF OPENINGS.

RECORD DRAWING

These compiled engineering as-built record drawings are a compilation of a copy of the original sealed engineering design drawings for this project, modified by addenda, change orders and information furnished by the contractor. The information shown on these compiled engineering as-built record drawings that was provided by the contractor or others not associated with me cannot be verified for accuracy or completeness. My compilation of this information does not relieve the contractor of responsibility for errors resultant to incorrect, incomplete or omitted data on the contractor's as-built record drawings - nor does it relieve the contractor of responsibility for non-conformance with the original contract documents. The original sealed engineering drawings are on file in the offices of Providence Engineering and Design, LLC. The professional engineer was Joseph C. Picciola, II with License Number 25614. (January 5, 2017)

THIS DRAWING AND ALL INFORMATION AND DESIGNS THEREON ARE THE PROPERTY OF PICCIOLA & ASSOCIATES, INC. THIS DRAWING IS CONFIDENTIAL AND MUST NOT BE MADE PUBLIC OR COPIED, REPRODUCED OR USED IN WHOLE OR IN PART WITHOUT PRIOR WRITTEN AUTHORIZATION FROM PICCIOLA & ASSOCIATES, INC. AND IS SUBJECT TO RETURN UPON DEMAND. NO USE OF THIS DRAWING OR ANY INFORMATION OR DESIGNS THEREON IS PERMITTED EXCEPT AS IS SPECIFICALLY AUTHORIZED IN WRITING BY PICCIOLA & ASSOCIATES, INC. ACCEPTANCE OF POSSESSION OF THIS DRAWING CONSTITUTES FULL AGREEMENT WITH THE ABOVE CONDITIONS.



PICCIOLA & ASSOCIATES, INC.
CIVIL ENGINEERS LAND SURVEYORS
NAVAL ARCHITECTS MARINE ENGINEERS
P.O. BOX. 667
CUT OFF, LOUISIANA 70345
(985) 632-5786

DESIGNED BY: J.C.P.
DRAWN BY: S.M.Z.
CHECKED BY: J.C.P.

DATE:
OCTOBER 22, 2012

SCALE:
AS SHOWN

**PROVIDENCE/
GSE Associates, LLC**

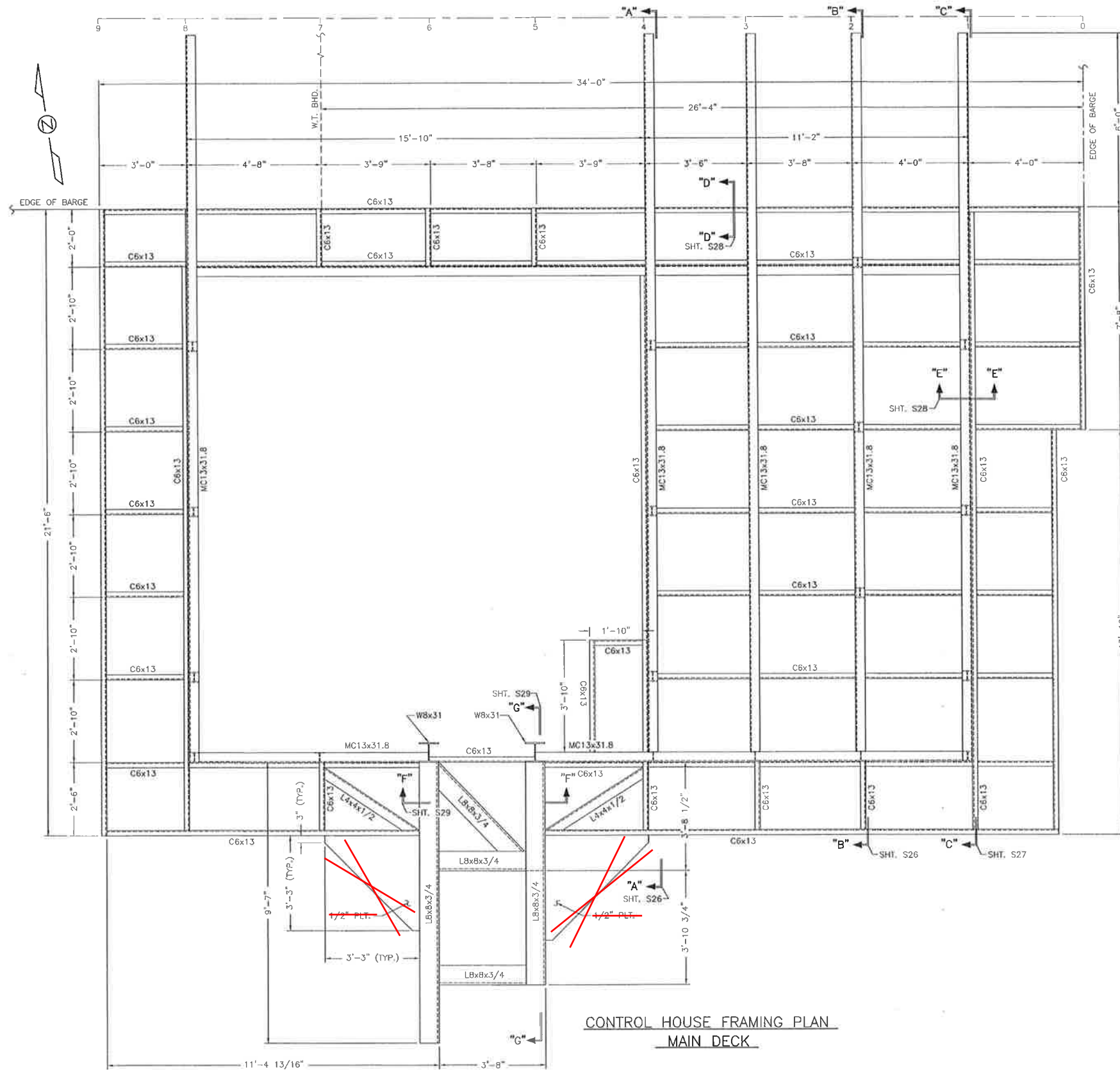
DULAC PONTOON BRIDGE
CONTROL HOUSE ELEVATIONS

DULAC, LA. TERREBONNE PARISH

SHEET NO.
S23

23 of 32

E:\112-DR\141.61.002.Gulf South Engineers Providence - Dulac Pontoon Bridge Rehabilitation\ACAD\CURRENT\POYTOON BARGE.dwg, CNTRL HOUSE DK FRAMING - MN. DK., 8/29/2014 10:49:57 AM



RECORD DRAWING

These compiled engineering as-built record drawings are a compilation of a copy of the original sealed engineering design drawings for this project, modified by addenda, change orders and information furnished by the contractor. The information shown on these compiled engineering as-built record drawings that was provided by the contractor or others not associated with me cannot be verified for accuracy or completeness. My compilation of this information does not relieve the contractor of responsibility for errors resultant to incorrect, incomplete or omitted data on the contractor's as-built record drawings - nor does it relieve the contractor of responsibility for non-conformance with the original contract documents. The original sealed engineering drawings are on file in the offices of Providence Engineering and Design, LLC. The professional engineer was Joseph C. Picciola, II with License Number 25614. (January 5, 2017)

THIS DRAWING AND ALL INFORMATION AND DESIGNS THEREON ARE THE PROPERTY OF PICCIOLA & ASSOCIATES, INC. THIS DRAWING IS CONFIDENTIAL AND MUST NOT BE MADE PUBLIC OR COPIED, REPRODUCED OR USED IN WHOLE OR IN PART WITHOUT PRIOR WRITTEN AUTHORIZATION FROM PICCIOLA & ASSOCIATES, INC. AND IS SUBJECT TO RETURN UPON DEMAND. NO USE OF THIS DRAWING OR ANY INFORMATION OR DESIGNS THEREON IS PERMITTED EXCEPT AS IS SPECIFICALLY AUTHORIZED IN WRITING BY PICCIOLA & ASSOCIATES, INC. ACCEPTANCE OF POSSESSION OF THIS DRAWING CONSTITUTES FULL AGREEMENT WITH THE ABOVE CONDITIONS.



PICCIOLA & ASSOCIATES, INC.
 CIVIL ENGINEERS
 LAND SURVEYORS
 NAVAL ARCHITECTS
 MARINE ENGINEERS
 P.O. BOX, 667
 CUT OFF, LOUISIANA 70345
 (985) 632-5786

DESIGNED BY: J.C.P.
 DRAWN BY: S.M.Z.
 CHECKED BY: J.C.P.

DATE:
 OCTOBER 22, 2012
 SCALE:
 1/2" = 1'-0"

**PROVIDENCE/
 GSE Associates, LLC**

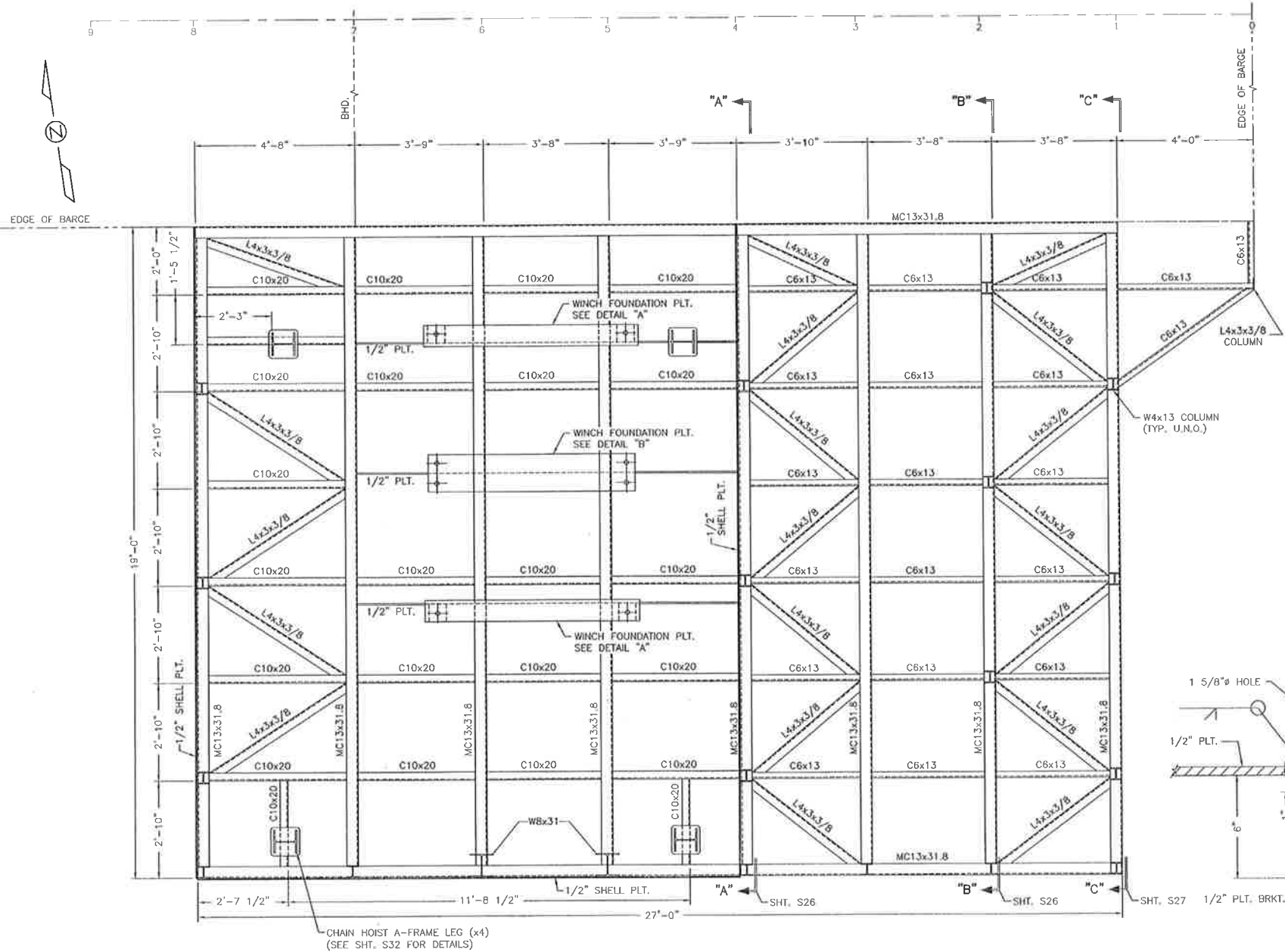
DULAC PONTOON BRIDGE
 PILOT HOUSE FRAMING PLAN - MAIN DECK

DULAC, LA. TERREBONNE, PARISH

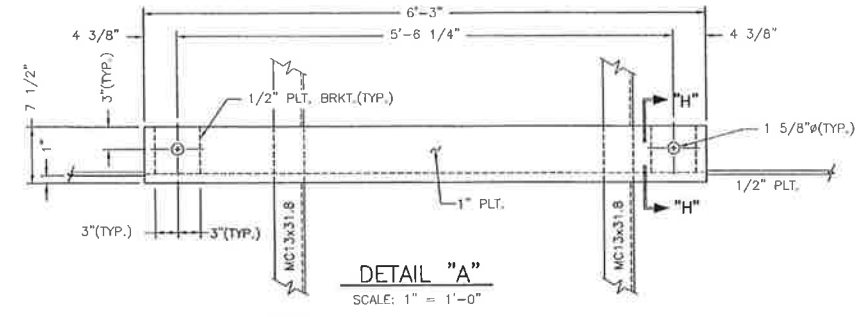
SHEET NO.
S24

24 OF 32

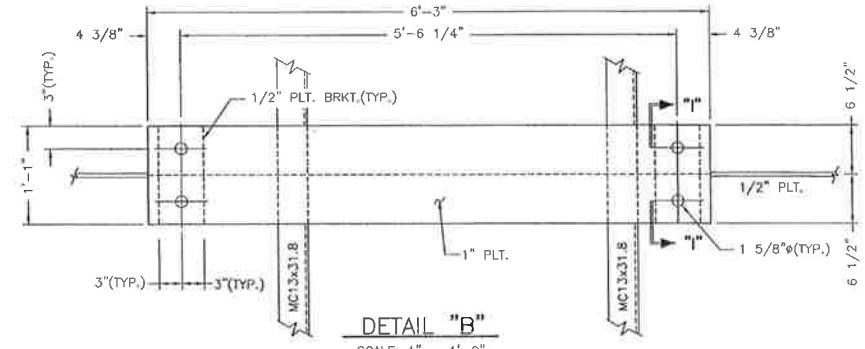
E:\112-DIR\04161202_Gulf South Engineers Providence - Dulac Pontoon Bridge\ACAD\CURRENT\PONTOON BARGE.dwg, CNTRL HOUSE DK FRAMING - CLR, DK, 8/25/2014 10:50:13 AM



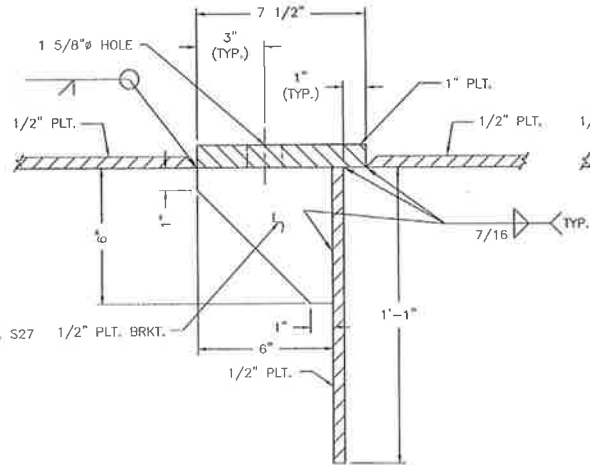
**CONTROL HOUSE FRAMING PLAN
CELLAR DECK**
SCALE: 1/2" = 1'-0"



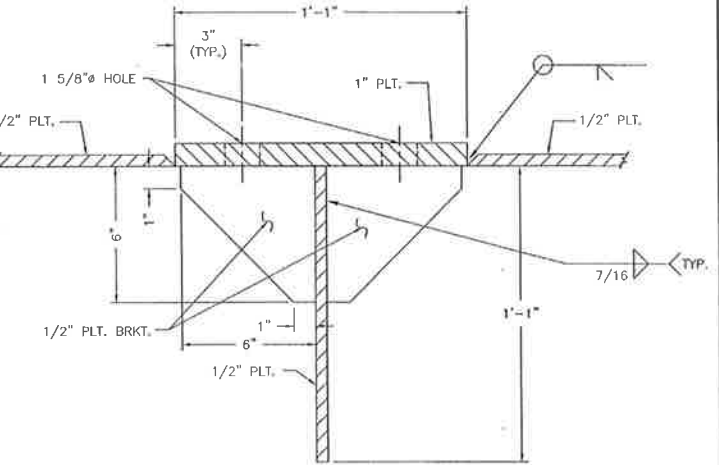
DETAIL "A"
SCALE: 1" = 1'-0"



DETAIL "B"
SCALE: 1" = 1'-0"



SECTION "H-H"
SCALE: 3" = 1'-0"




SECTION "I-I"
SCALE: 3" = 1'-0"

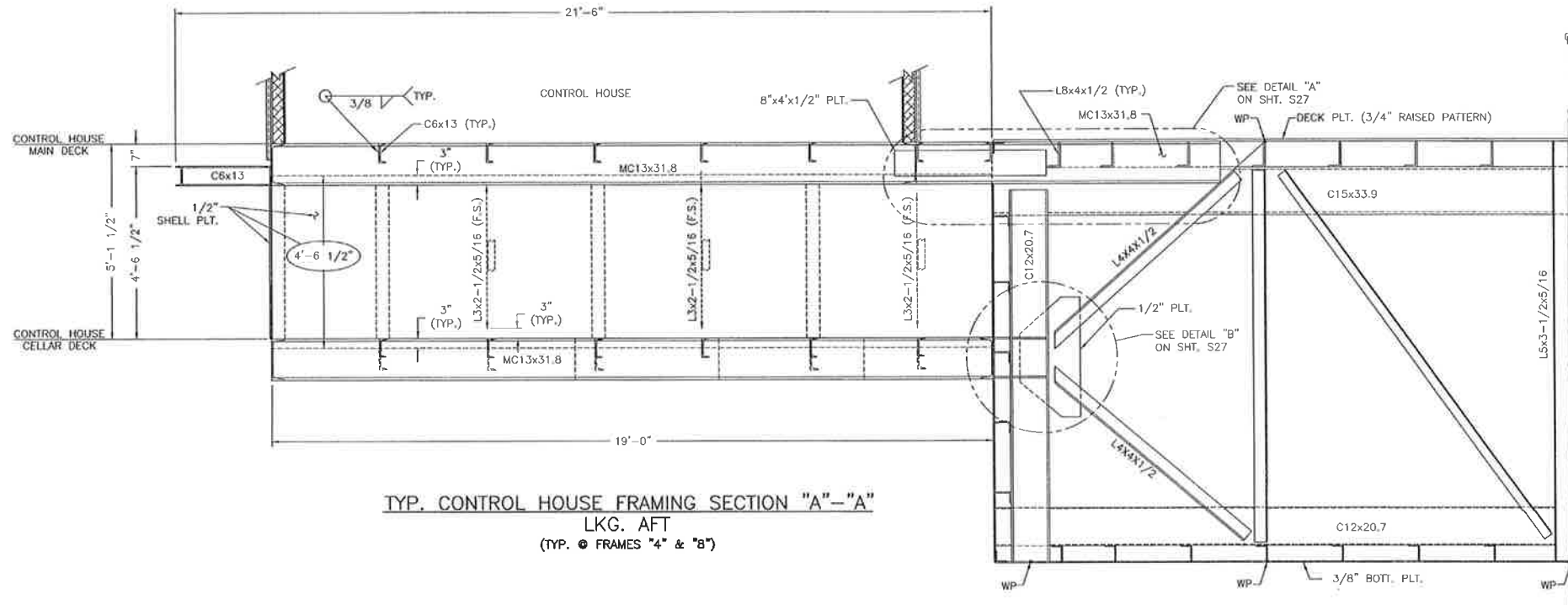
RECORD DRAWING

These compiled engineering as-built record drawings are a compilation of a copy of the original sealed engineering design drawings for this project, modified by addenda, change orders and information furnished by the contractor. The information shown on these compiled engineering as-built record drawings that was provided by the contractor or others not associated with me cannot be verified for accuracy or completeness. My compilation of this information does not relieve the contractor of responsibility for errors resultant to incorrect, incomplete or omitted data on the contractor's as-built record drawings - nor does it relieve the contractor of responsibility for non-conformance with the original contract documents. The original sealed engineering drawings are on file in the offices of Providence Engineering and Design, LLC. The professional engineer was Joseph C. Picciola, II with License Number 25614, (January 5, 2017)

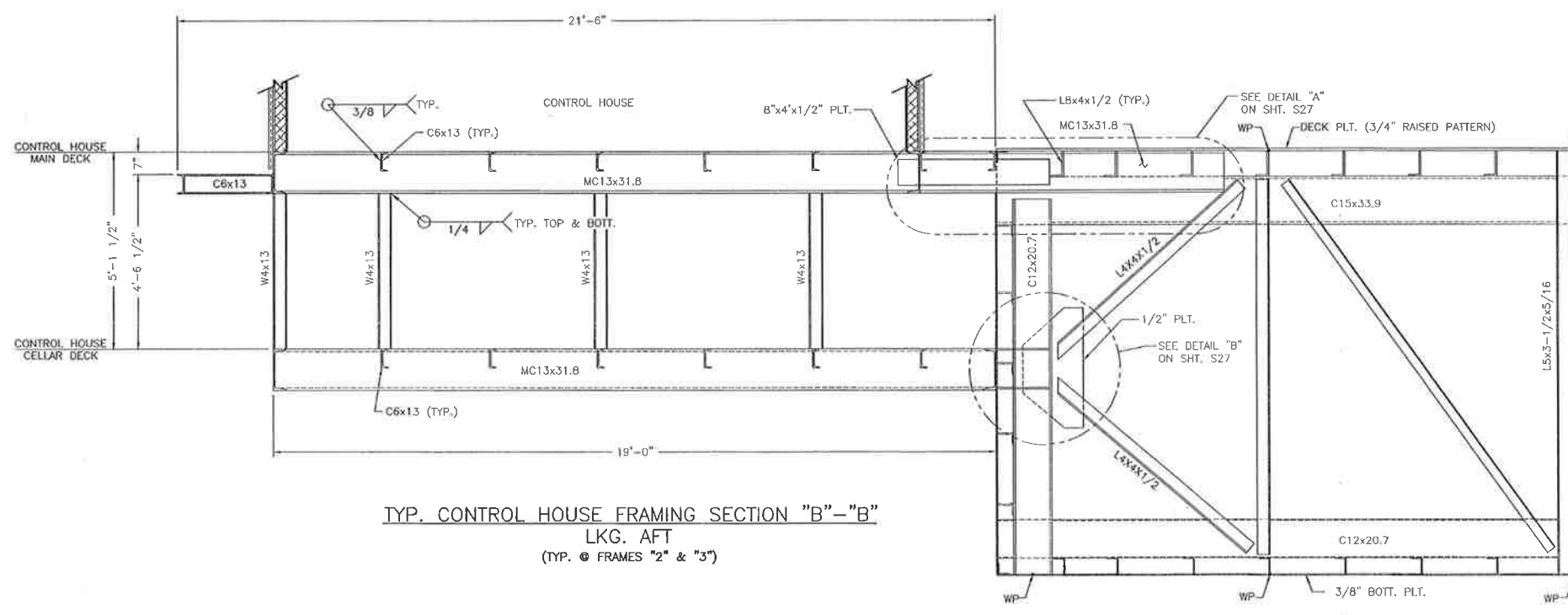
THIS DRAWING AND ALL INFORMATION AND DESIGNS THEREON ARE THE PROPERTY OF PICCIOLA & ASSOCIATES, INC. THIS DRAWING IS CONFIDENTIAL AND MUST NOT BE MADE PUBLIC OR COPIED, REPRODUCED OR USED IN WHOLE OR IN PART WITHOUT PRIOR WRITTEN AUTHORIZATION FROM PICCIOLA & ASSOCIATES, INC. AND IS SUBJECT TO RETURN UPON DEMAND. NO USE OF THIS DRAWING OR ANY INFORMATION OR DESIGNS THEREON IS PERMITTED EXCEPT AS IS SPECIFICALLY AUTHORIZED IN WRITING BY PICCIOLA & ASSOCIATES, INC. ACCEPTANCE OF POSSESSION OF THIS DRAWING CONSTITUTES FULL AGREEMENT WITH THE ABOVE CONDITIONS.

 PICCIOLA & ASSOCIATES, INC. CIVIL ENGINEERS LAND SURVEYORS NAVAL ARCHITECTS MARINE ENGINEERS P.O. BOX 687 CUT OFF, LOUISIANA 70345 (985) 632-5786	DATE: OCTOBER 22, 2012	PROVIDENCE/ GSE Associates, LLC DULAC PONTOON BRIDGE CONTROL HOUSE FRAMING PLAN - CELLAR DECK DULAC, LA. TERREBOUNNE PARISH	SHEET NO. S25
	SCALE: AS SHOWN		25 OF 32

E:\12-DR\04161202 Gulf South Engineers Providence - Dulac Pontoon Bridge Rehabilitation\CAD\CURRENT\PORTOON BARGE.dwg, CTRL HOUSE DK FRAMING - SECTIONS, 8/29/2014 10:30:35 AM



TYP. CONTROL HOUSE FRAMING SECTION "A"-"A"
LKG. AFT
(TYP. @ FRAMES "4" & "B")




TYP. CONTROL HOUSE FRAMING SECTION "B"-"B"
LKG. AFT
(TYP. @ FRAMES "2" & "3")

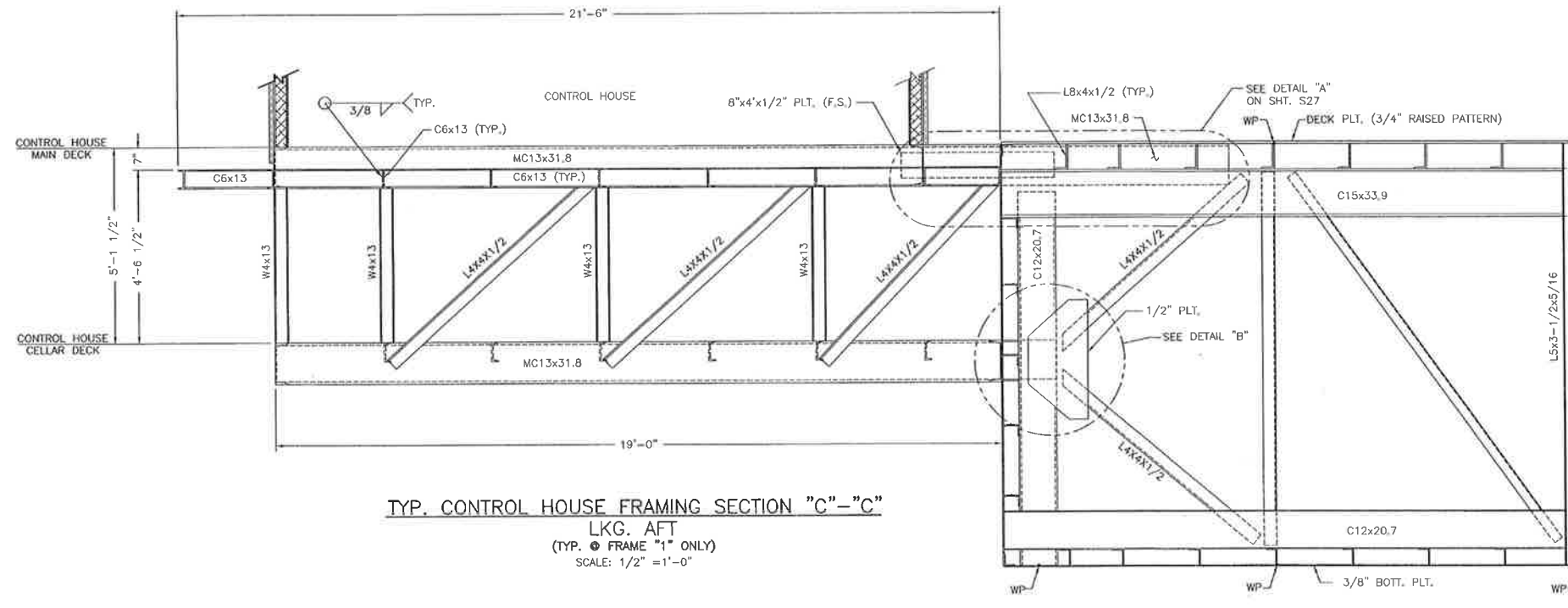
RECORD DRAWING

These compiled engineering as-built record drawings are a compilation of a copy of the original sealed engineering design drawings for this project, modified by addenda, change orders and information furnished by the contractor. The information shown on these compiled engineering as-built record drawings that was provided by the contractor or others not associated with me cannot be verified for accuracy or completeness. My compilation of this information does not relieve the contractor of responsibility for errors resultant to incorrect, incomplete or omitted data on the contractor's as-built record drawings - nor does it relieve the contractor of responsibility for non-conformance with the original contract documents. The original sealed engineering drawings are on file in the offices of Providence Engineering and Design, LLC. The professional engineer was Joseph C. Picciola, II with License Number 25614. (January 5, 2017)

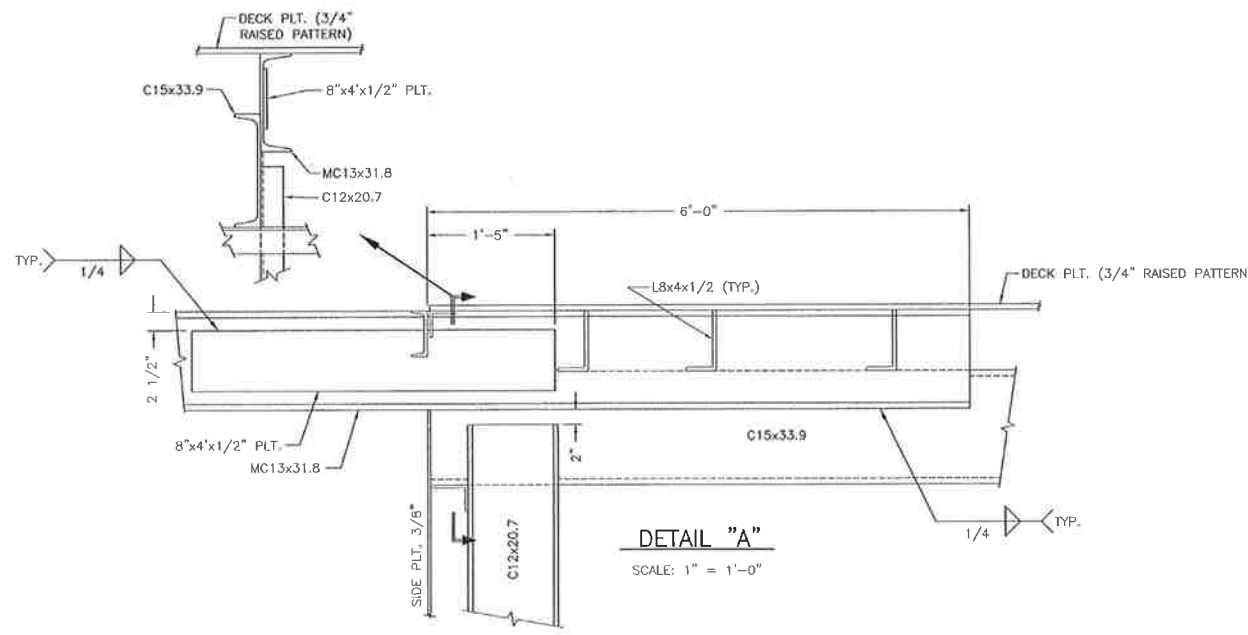
THIS DRAWING AND ALL INFORMATION AND DESIGNS THEREON ARE THE PROPERTY OF PICCIOLA & ASSOCIATES, INC. THIS DRAWING IS CONFIDENTIAL AND MUST NOT BE MADE PUBLIC OR COPIED, REPRODUCED OR USED IN WHOLE OR IN PART WITHOUT PRIOR WRITTEN AUTHORIZATION FROM PICCIOLA & ASSOCIATES, INC. AND IS SUBJECT TO RETURN UPON DEMAND. NO USE OF THIS DRAWING OR ANY INFORMATION OR DESIGNS THEREON IS PERMITTED EXCEPT AS IS SPECIFICALLY AUTHORIZED IN WRITING BY PICCIOLA & ASSOCIATES, INC. ACCEPTANCE OF POSSESSION OF THIS DRAWING CONSTITUTES FULL AGREEMENT WITH THE ABOVE CONDITIONS.

 PICCIOLA & ASSOCIATES, INC. CIVIL ENGINEERS LAND SURVEYORS NAVAL ARCHITECTS MARINE ENGINEERS P.O. BOX 687 CUT OFF, LOUISIANA 70345 (985) 632-5786	DATE: OCTOBER 22, 2012	PROVIDENCE/ GSE Associates, LLC DULAC PONTOON BRIDGE TYP. CONTROL HOUSE FRAMING SECTION	SHEET NO. S26
	SCALE: 1/2" = 1'-0"		26 OF 32
DESIGNED BY: J.C.P.	DRAWN BY: S.M.Z.	DULAC, LA.	TERREBONNE PARISH

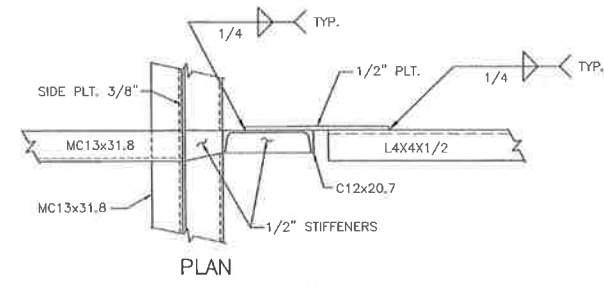
E:\12-DIR\04161203 Gulf South Engineers Providence - Dulac Pontoon Bridge\CAD\CURRENT\POINTOON BRIDGE.dwg, CNTRL HOUSE DK FRAMING - SECTIONS (2), 8/29/2014 10:51:15 AM



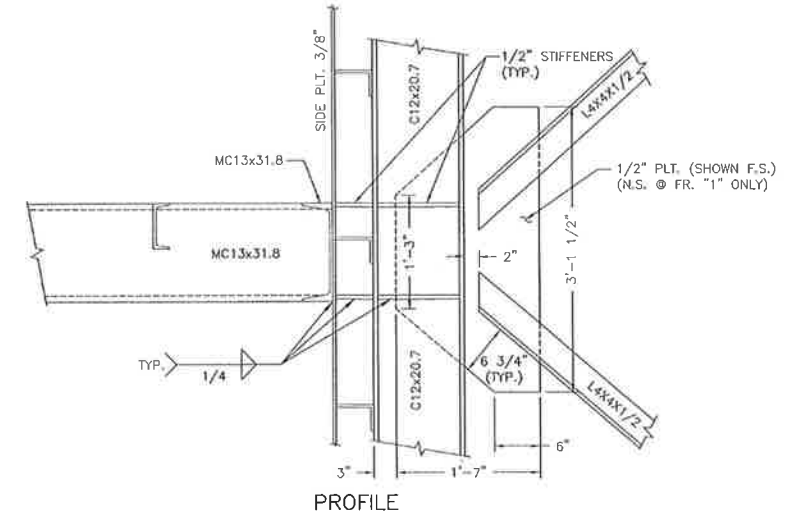
TYP. CONTROL HOUSE FRAMING SECTION "C"-"C"
LKG. AFT
(TYP. @ FRAME "1" ONLY)
SCALE: 1/2" = 1'-0"



DETAIL "A"
SCALE: 1" = 1'-0"



PLAN




PROFILE

DETAIL "B"
SCALE: 1" = 1'-0"

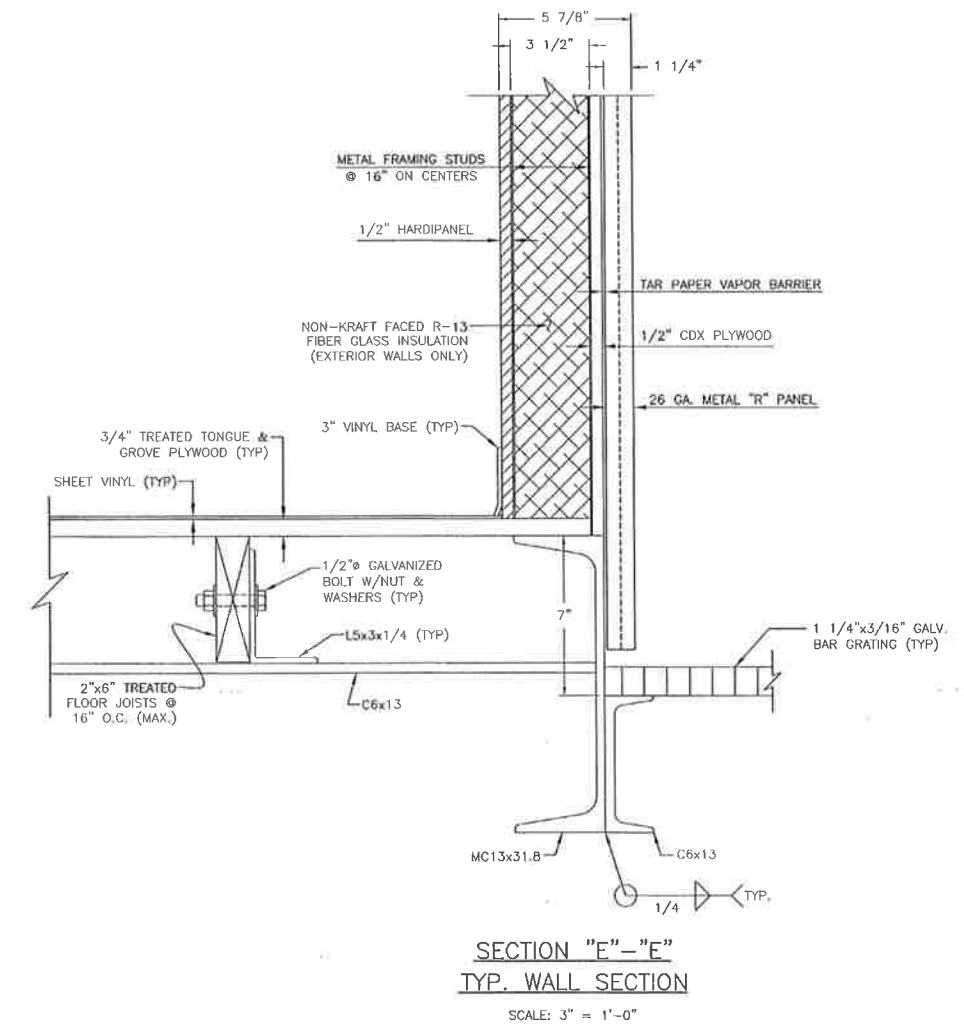
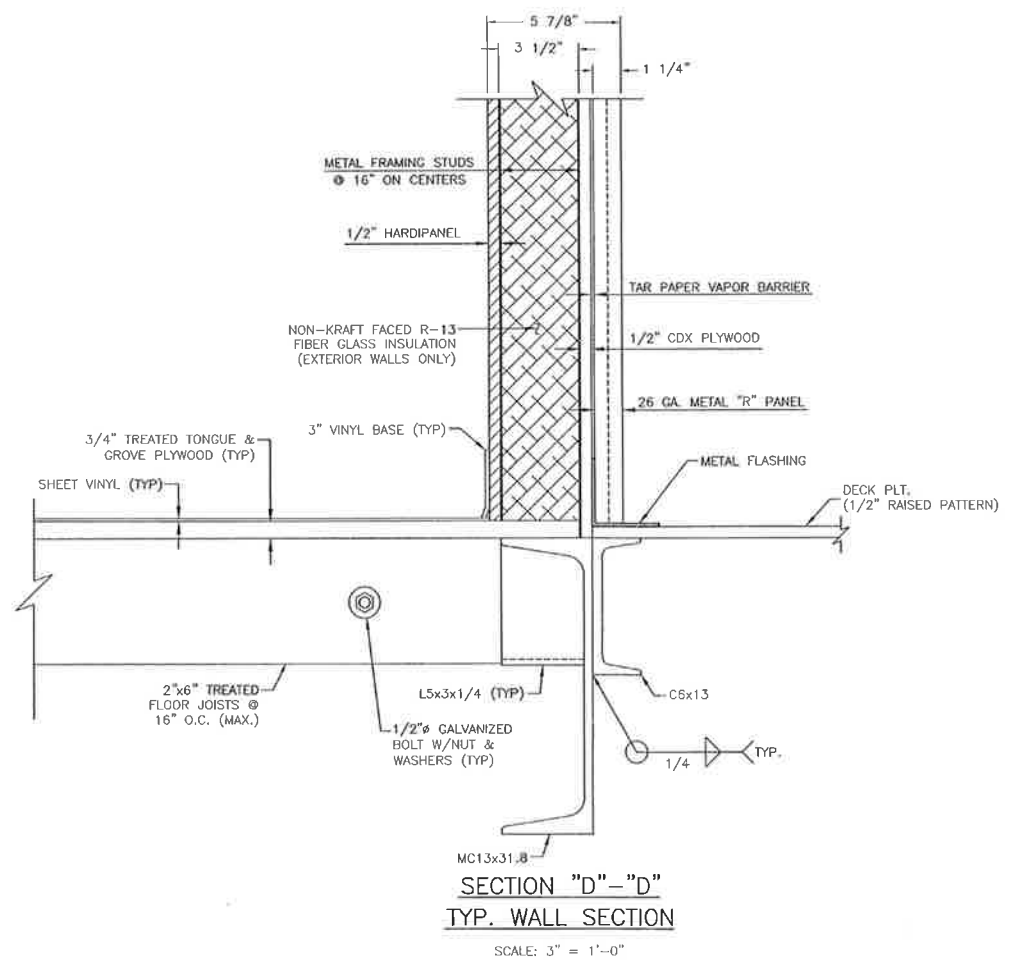
RECORD DRAWING

These compiled engineering as-built record drawings are a compilation of a copy of the original sealed engineering design drawings for this project, modified by addenda, change orders and information furnished by the contractor. The information shown on these compiled engineering as-built record drawings that was provided by the contractor or others not associated with me cannot be verified for accuracy or completeness. My compilation of this information does not relieve the contractor of responsibility for errors resultant to incorrect, incomplete or omitted data on the contractor's as-built record drawings - nor does it relieve the contractor of responsibility for non-conformance with the original contract documents. The original sealed engineering drawings are on file in the offices of Providence Engineering and Design, LLC. The professional engineer was Joseph C. Picciola, II with License Number 25614. (January 5, 2017)

THIS DRAWING AND ALL INFORMATION AND DESIGNS THEREON ARE THE PROPERTY OF PICCIOLA & ASSOCIATES, INC. THIS DRAWING IS CONFIDENTIAL AND MUST NOT BE MADE PUBLIC OR COPIED, REPRODUCED OR USED IN WHOLE OR IN PART WITHOUT PRIOR WRITTEN AUTHORIZATION FROM PICCIOLA & ASSOCIATES, INC. AND IS SUBJECT TO RETURN UPON DEMAND. NO USE OF THIS DRAWING OR ANY INFORMATION OR DESIGNS THEREON IS PERMITTED EXCEPT AS IS SPECIFICALLY AUTHORIZED IN WRITING BY PICCIOLA & ASSOCIATES, INC. ACCEPTANCE OF POSSESSION OF THIS DRAWING CONSTITUTES FULL AGREEMENT WITH THE ABOVE CONDITIONS.

 PICCIOLA & ASSOCIATES, INC. CIVIL ENGINEERS LAND SURVEYORS NAVAL ARCHITECTS MARINE ENGINEERS P.O. BOX 687 CUT OFF, LOUISIANA 70345 (985) 632-5786	DATE: OCTOBER 22, 2012	PROVIDENCE/ GSE Associates, LLC DULAC PONTOON BRIDGE TYP. CONTROL HOUSE FRAMING SECTION DULAC, LA TERREBONNE PARISH	SHEET NO. S27
	SCALE: AS SHOWN		27 OF 32
DESIGNED BY: J.C.P.	DRAWN BY: S.M.Z.	CHECKED BY: J.C.P.	

E:\12-DRAWING\14161202 Gulf South Engineers Providence - Dulac Pontoon Bridge - Repair\14161202 ACAD\CURRENT\POINTON BARGE.dwg, CTRL USE WALL SECS, 07/29/2014 10:51:30 AM



THIS DRAWING AND ALL INFORMATION AND DESIGNS THEREON ARE THE PROPERTY OF PICCIOLA & ASSOCIATES, INC. THIS DRAWING IS CONFIDENTIAL AND MUST NOT BE MADE PUBLIC OR COPIED, REPRODUCED OR USED IN WHOLE OR IN PART WITHOUT PRIOR WRITTEN AUTHORIZATION FROM PICCIOLA & ASSOCIATES, INC. AND IS SUBJECT TO RETURN UPON DEMAND. NO USE OF THIS DRAWING OR ANY INFORMATION OR DESIGNS THEREON IS PERMITTED EXCEPT AS IS SPECIFICALLY AUTHORIZED IN WRITING BY PICCIOLA & ASSOCIATES, INC. ACCEPTANCE OF POSSESSION OF THIS DRAWING CONSTITUTES FULL AGREEMENT WITH THE ABOVE CONDITIONS.

RECORD DRAWING

These compiled engineering as-built record drawings are a compilation of a copy of the original sealed engineering design drawings for this project, modified by addenda, change orders and information furnished by the contractor. The information shown on these compiled engineering as-built record drawings that was provided by the contractor or others not associated with me cannot be verified for accuracy or completeness. My compilation of this information does not relieve the contractor of responsibility for errors resultant to incorrect, incomplete or omitted data on the contractor's as-built record drawings - nor does it relieve the contractor of responsibility for non-conformance with the original contract documents. The original sealed engineering drawings are on file in the offices of Providence Engineering and Design, LLC. The professional engineer was Joseph C. Picciola, II with License Number 25614. (January 5, 2017)



PICCIOLA & ASSOCIATES, INC.
 CIVIL ENGINEERS NAVAL ARCHITECTS
 LAND SURVEYORS MARINE ENGINEERS
 P.O. BOX 687
 CUT OFF, LOUISIANA 70345
 (985) 632-5786

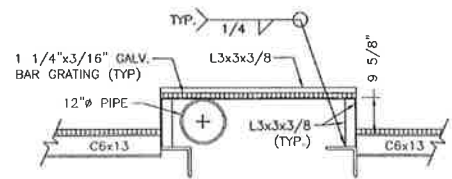
DESIGNED BY: J.C.P.
 DRAWN BY: S.M.Z.
 CHECKED BY: J.C.P.

DATE: OCTOBER 22, 2012
 SCALE: AS SHOWN

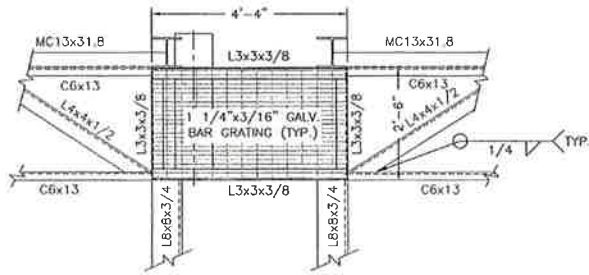
**PROVIDENCE/
 GSE Associates, LLC**
 DULAC PONTOON BRIDGE
 CONTROL HOUSE WALL SECTIONS
 DULAC, LA. TERREBONNE PARISH

SHEET NO.
S28
 28 of 32

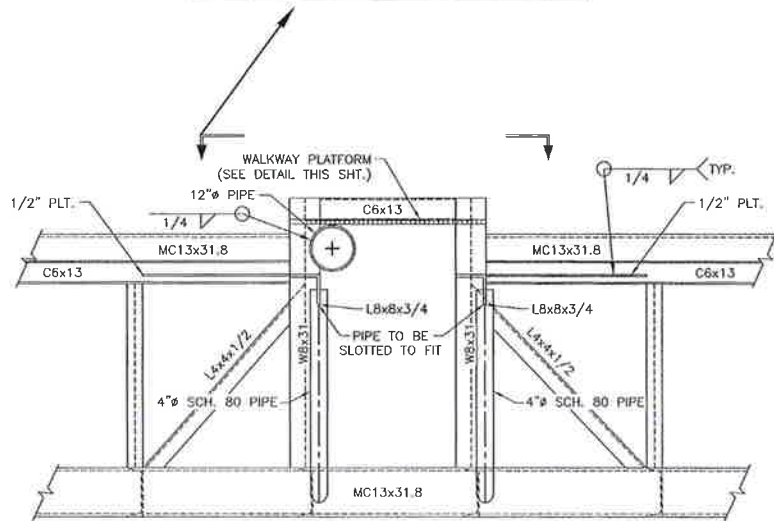
E:\12-DR\04161202 Gulf South Engineers Providence - Dulac Pontoon Bridge.dwg, SOUTH FAIRLEAD, 6/29/2014 10:51:43 AM



WALKWAY PLATFORM ELEV.

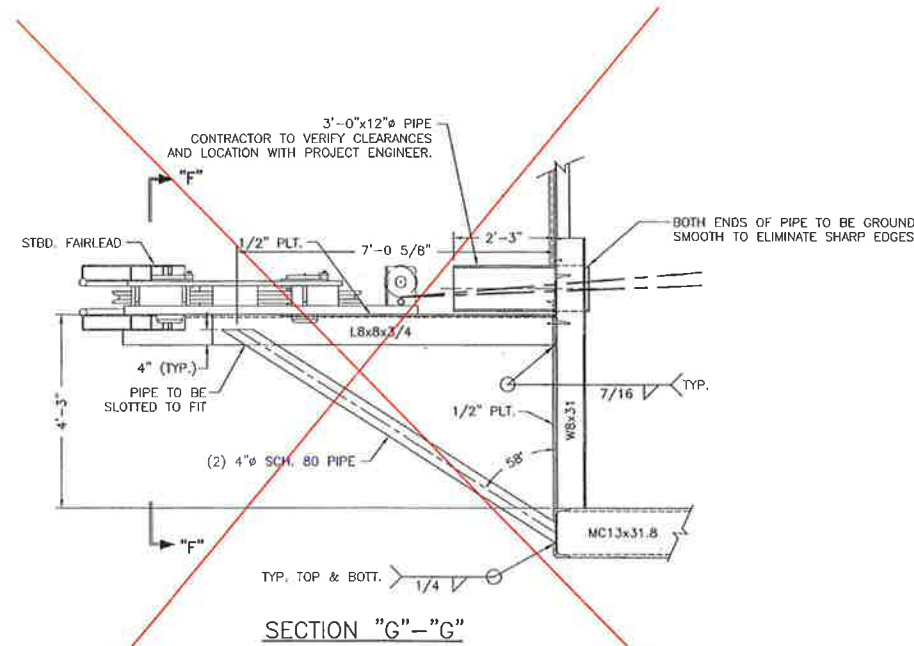


WALKWAY PLATFORM PLAN VIEW



SECTION "F"-"F"

1/2" SHELL PLT. (EXTERIOR WALL) NOT SHOWN FOR CLARITY



SECTION "G"-"G"

RECORD DRAWING

These compiled engineering as-built record drawings are a compilation of a copy of the original sealed engineering design drawings for this project, modified by addenda, change orders and information furnished by the contractor. The information shown on these compiled engineering as-built record drawings that was provided by the contractor or others not associated with me cannot be verified for accuracy or completeness. My compilation of this information does not relieve the contractor of responsibility for errors resultant to incorrect, incomplete or omitted data on the contractor's as-built record drawings - nor does it relieve the contractor of responsibility for non-conformance with the original contract documents. The original sealed engineering drawings are on file in the offices of Providence Engineering and Design, LLC. The professional engineer was Joseph C. Picciola, II with License Number 25614, (January 5, 2017)

THIS DRAWING AND ALL INFORMATION AND DESIGNS THEREON ARE THE PROPERTY OF PICCIOLA & ASSOCIATES, INC. THIS DRAWING IS CONFIDENTIAL AND MUST NOT BE MADE PUBLIC OR COPIED, REPRODUCED OR USED IN WHOLE OR IN PART WITHOUT PRIOR WRITTEN AUTHORIZATION FROM PICCIOLA & ASSOCIATES, INC. AND IS SUBJECT TO RETURN UPON DEMAND. NO USE OF THIS DRAWING OR ANY INFORMATION OR DESIGNS THEREON IS PERMITTED EXCEPT AS IS SPECIFICALLY AUTHORIZED IN WRITING BY PICCIOLA & ASSOCIATES, INC. ACCEPTANCE OF POSSESSION OF THIS DRAWING CONSTITUTES FULL AGREEMENT WITH THE ABOVE CONDITIONS.



PICCIOLA & ASSOCIATES, INC.
 CIVIL ENGINEERS NAVAL ARCHITECTS
 LAND SURVEYORS MARINE ENGINEERS
 P.O. BOX 687
 CUT OFF, LOUISIANA 70345
 (985) 632-5786

DESIGNED BY: J.C.P. DRAWN BY: S.M.Z. CHECKED BY: J.C.P.

DATE:
OCTOBER 22, 2012

SCALE:
1/2" = 1'-0"

**PROVIDENCE/
GSE Associates, LLC**

DULAC PONTOON BRIDGE
STBD. FAIRLEAD PLATFORM & WALKWAY PLATFORM

DULAC, LA.

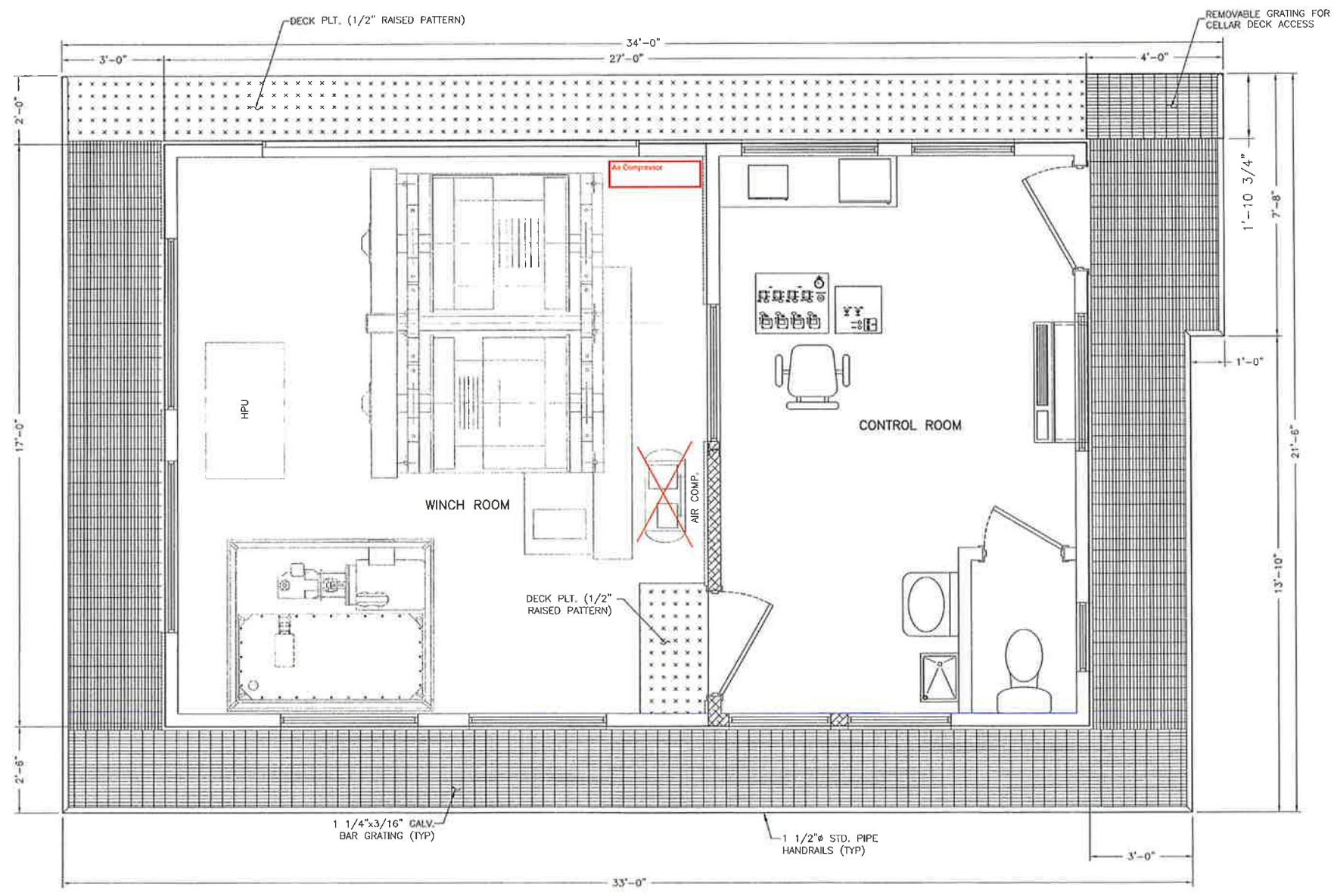
TERREBONNE PARISH

SHEET NO.

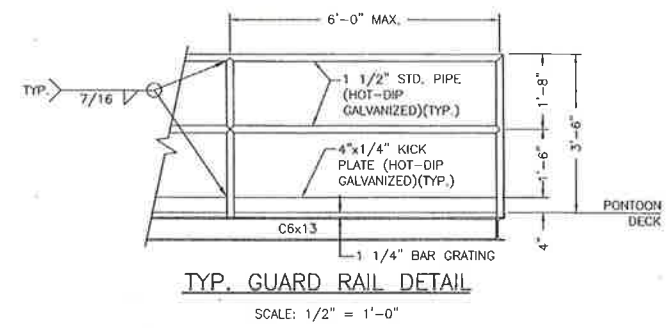
S29

29 OF 32

E:\12-DRAW\04161202 Gulf South Engineers Providence - Dulac Pontoon Bridge Rehabilitation\CAD\CURRENT\POINTON BRIDGE.dwg, NN DK GUARDSAIL & GRATING, 8/29/2014 10:51:57 AM



CONTROL HOUSE GUARD RAIL & GRATING LAYOUT
SCALE: 1/2" = 1'-0"



THIS DRAWING AND ALL INFORMATION AND DESIGNS THEREON ARE THE PROPERTY OF PICCIOLA & ASSOCIATES, INC. THIS DRAWING IS CONFIDENTIAL AND MUST NOT BE MADE PUBLIC OR COPIED, REPRODUCED OR USED IN WHOLE OR IN PART WITHOUT PRIOR WRITTEN AUTHORIZATION FROM PICCIOLA & ASSOCIATES, INC. AND IS SUBJECT TO RETURN UPON DEMAND. NO USE OF THIS DRAWING OR ANY INFORMATION OR DESIGNS THEREON IS PERMITTED EXCEPT AS IS SPECIFICALLY AUTHORIZED IN WRITING BY PICCIOLA & ASSOCIATES, INC. ACCEPTANCE OF POSSESSION OF THIS DRAWING CONSTITUTES FULL AGREEMENT WITH THE ABOVE CONDITIONS.

RECORD DRAWING

These compiled engineering as-built record drawings are a compilation of a copy of the original sealed engineering design drawings for this project, modified by addenda, change orders and information furnished by the contractor. The information shown on these compiled engineering as-built record drawings that was provided by the contractor or others not associated with me cannot be verified for accuracy or completeness. My compilation of this information does not relieve the contractor of responsibility for errors resultant to incorrect, incomplete or omitted data on the contractor's as-built record drawings - nor does it relieve the contractor of responsibility for non-conformance with the original contract documents. The original sealed engineering drawings are on file in the offices of Providence Engineering and Design, LLC. The professional engineer was Joseph C. Picciola, II with License Number 25614. (January 5, 2017)



PICCIOLA & ASSOCIATES, INC.
CIVIL ENGINEERS LAND SURVEYORS
NAVAL ARCHITECTS MARINE ENGINEERS
P.O. BOX 667
CUT OFF, LOUISIANA 70345
(985) 632-5786

DESIGNED BY: J.C.P.
DRAWN BY: S.M.Z.
CHECKED BY: J.C.P.

DATE: OCTOBER 22, 2012
SCALE: AS SHOWN

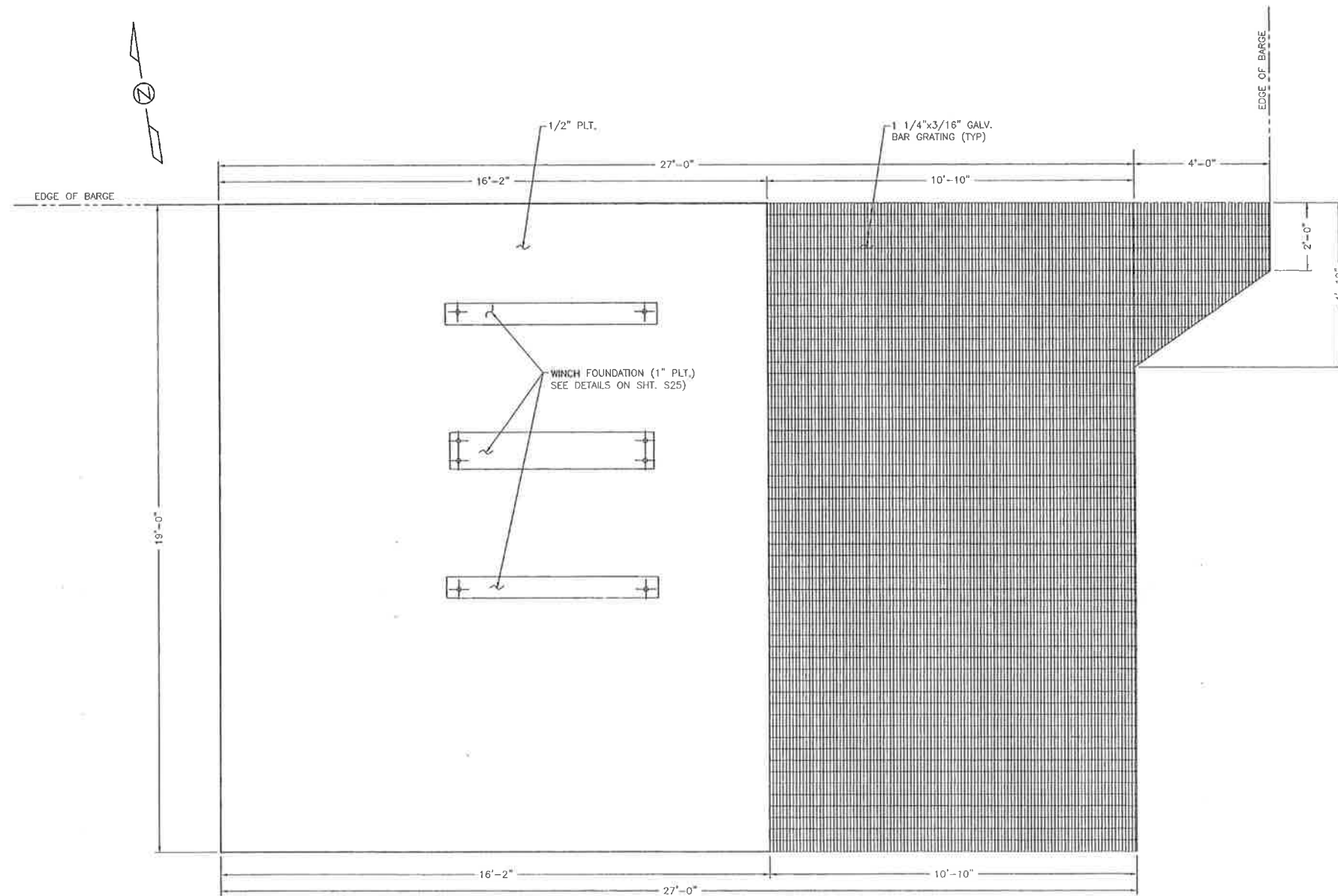
**PROVIDENCE/
GSE Associates, LLC**

DULAC PONTOON BRIDGE
CONTROL HOUSE GUARDRAIL & GRATING PLAN
DULAC, LA. TERREBONNE PARISH

SHEET NO.
S30
30 of 32

ORIGINAL

E:\12-DIR\04161202_Gulf South Engineers Providence - Dulac Pontoon Bridge.dwg, 8/29/2014 10:52:13 AM



CELLAR DECK GRATING & FLOOR PLATE LAYOUT

SCALE: 1/2" = 1'-0"

RECORD DRAWING

These compiled engineering as-built record drawings are a compilation of a copy of the original sealed engineering design drawings for this project, modified by addenda, change orders and information furnished by the contractor. The information shown on these compiled engineering as-built record drawings that was provided by the contractor or others not associated with me cannot be verified for accuracy or completeness. My compilation of this information does not relieve the contractor of responsibility for errors resultant to incorrect, incomplete or omitted data on the contractor's as-built record drawings - nor does it relieve the contractor of responsibility for non-conformance with the original contract documents. The original sealed engineering drawings are on file in the offices of Providence Engineering and Design, LLC. The professional engineer was Joseph C. Picciola, II with License Number 25614. (January 5, 2017)

THIS DRAWING AND ALL INFORMATION AND DESIGNS THEREON ARE THE PROPERTY OF PICCIOLA & ASSOCIATES, INC. THIS DRAWING IS CONFIDENTIAL AND MUST NOT BE MADE PUBLIC OR COPIED, REPRODUCED OR USED IN WHOLE OR IN PART WITHOUT PRIOR WRITTEN AUTHORIZATION FROM PICCIOLA & ASSOCIATES, INC. AND IS SUBJECT TO RETURN UPON DEMAND. NO USE OF THIS DRAWING OR ANY INFORMATION OR DESIGNS THEREON IS PERMITTED EXCEPT AS IS SPECIFICALLY AUTHORIZED IN WRITING BY PICCIOLA & ASSOCIATES, INC. ACCEPTANCE OF POSSESSION OF THIS DRAWING CONSTITUTES FULL AGREEMENT WITH THE ABOVE CONDITIONS.



PICCIOLA & ASSOCIATES, INC.
 CIVIL ENGINEERS NAVAL ARCHITECTS
 LAND SURVEYORS MARINE ENGINEERS

P.O. BOX 667
 CUT OFF, LOUISIANA 70345
 (985) 632-5786

DESIGNED BY: J.C.P. DRAWN BY: S.M.Z. CHECKED BY: J.C.P.

DATE:
 OCTOBER 22, 2012

SCALE:
 AS SHOWN

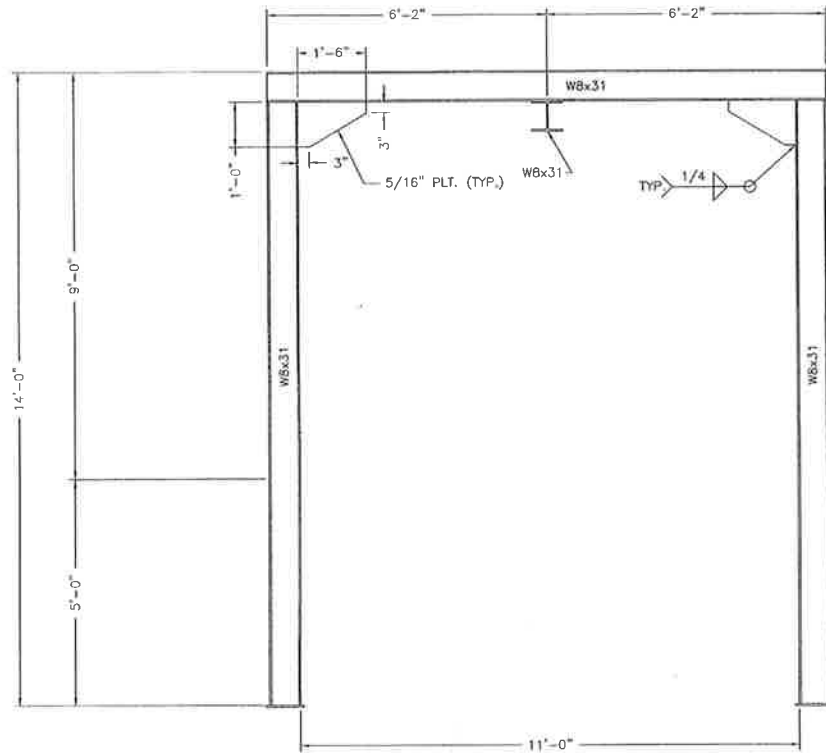
**PROVIDENCE/
 GSE Associates, LLC**

DULAC PONTOON BRIDGE
 CELLAR DECK GRATING & FLOOR PLATE LAYOUT

DULAC, LA. TERREBONNE PARISH

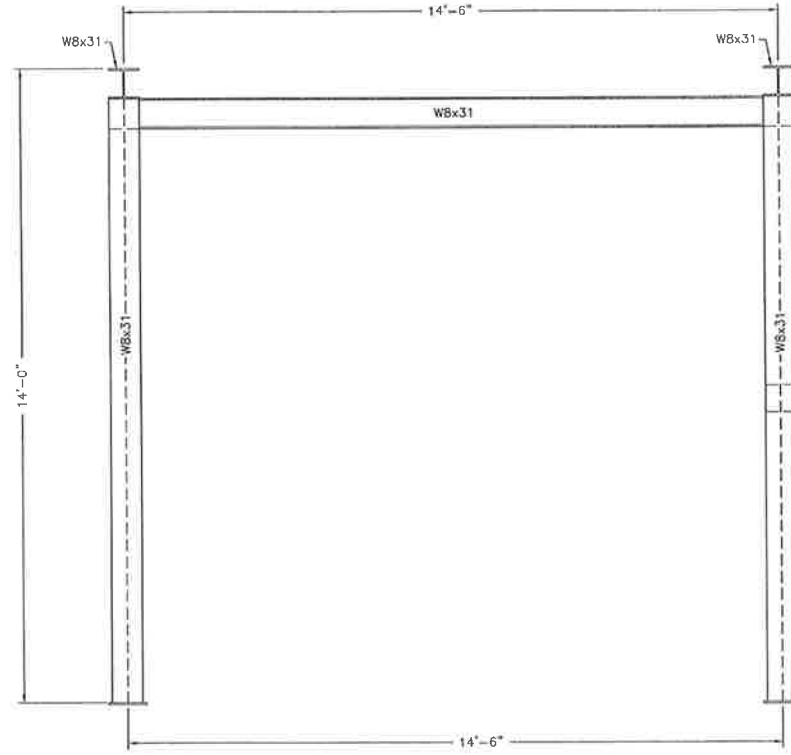
SHEET NO.
S31

31 OF 32



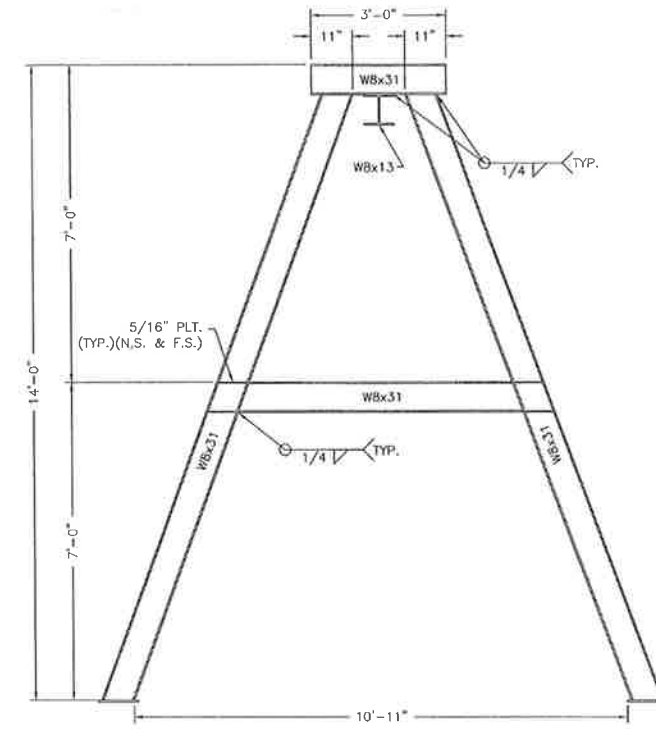
NORTH SIDE ELEVATION

SCALE: 1/2" = 1'-0"



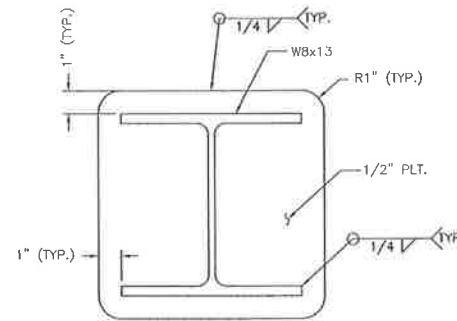
EAST/WEST SIDE ELEVATION

SCALE: 1/2" = 1'-0"



SOUTH SIDE ELEVATION

SCALE: 1/2" = 1'-0"



TYP. DOUBLBER PLATE

SCALE: 3" = 1'-0"

RECORD DRAWING

These compiled engineering as-built record drawings are a compilation of a copy of the original sealed engineering design drawings for this project, modified by addenda, change orders and information furnished by the contractor. The information shown on these compiled engineering as-built record drawings that was provided by the contractor or others not associated with me cannot be verified for accuracy or completeness. My compilation of this information does not relieve the contractor of responsibility for errors resultant to incorrect, incomplete or omitted data on the contractor's as-built record drawings - nor does it relieve the contractor of responsibility for non-conformance with the original contract documents. The original sealed engineering drawings are on file in the offices of Providence Engineering and Design, LLC. The professional engineer was Joseph C. Picciola, II with License Number 25614. (January 5, 2017)

THIS DRAWING AND ALL INFORMATION AND DESIGNS THEREON ARE THE PROPERTY OF PICCIOLA & ASSOCIATES, INC. THIS DRAWING IS CONFIDENTIAL AND MUST NOT BE MADE PUBLIC OR COPIED, REPRODUCED OR USED IN WHOLE OR IN PART WITHOUT PRIOR WRITTEN AUTHORIZATION FROM PICCIOLA & ASSOCIATES, INC. AND IS SUBJECT TO RETURN UPON DEMAND. NO USE OF THIS DRAWING OR ANY INFORMATION OR DESIGNS THEREON IS PERMITTED EXCEPT AS IS SPECIFICALLY AUTHORIZED IN WRITING BY PICCIOLA & ASSOCIATES, INC. ACCEPTANCE OF POSSESSION OF THIS DRAWING CONSTITUTES FULL AGREEMENT WITH THE ABOVE CONDITIONS.



PICCIOLA & ASSOCIATES, INC.
 CIVIL ENGINEERS LAND SURVEYORS
 NAVAL ARCHITECTS MARINE ENGINEERS
 P.O. BOX 687
 CUT OFF, LOUISIANA 70345
 (985) 632-5766

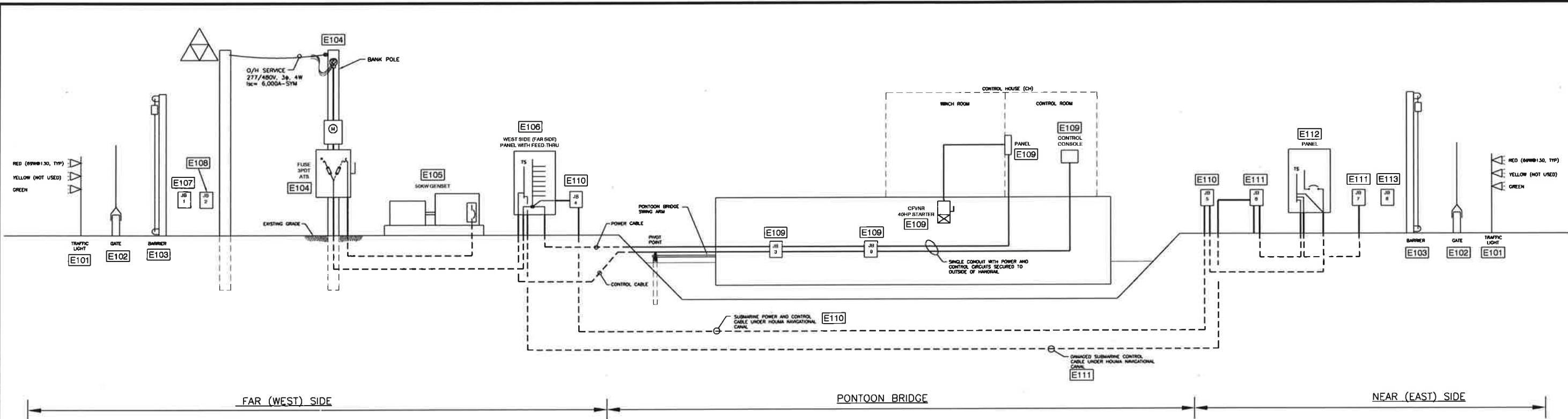
DESIGNED BY: J.C.P.
 DRAWN BY: S.M.Z.
 CHECKED BY: J.C.P.

DATE: OCTOBER 22, 2012
 SCALE: AS SHOWN

**PROVIDENCE/
 GSE Associates, LLC**
 DULAC PONTOON BRIDGE
 CHAIN HOIST A-FRAME
 DULAC, LA. TERREBONNE PARISH

SHEET NO.
S32
 32 OF 32

K:\Terrebonne\441\1\1\TPCG\441057GSE Falgout Pontoon Bridge\441057 E1E4 RD.dwg, E1, 1/5/2017 11:17:56 AM, 1:2, Todd



EXISTING ELECTRICAL ONE-LINE RISER DIAGRAM
(Generally Viewed Looking North)
NOT TO SCALE

GENERAL NOTE:

- A. CONTRACTOR IS INFORMED THAT THE PONTOON BRIDGE SHALL REMAIN IN NORMAL OPERATION DURING THE FABRICATION OF THE NEW PONTOON BRIDGE. SEE THE SPECIAL PROVISIONS OF THESE SPECIFICATIONS FOR INSTRUCTIONS OF THE SHUT DOWN PERIOD. FOR THE REPLACEMENT OF THE EXISTING PONTOON BRIDGE DURING THE SHUT DOWN PERIOD, ESC SHALL PERFORM DEMOLITION SALVAGE WORK AND INSTALL AND MAKE CONNECTIONS AS REQUIRED OF THE UNFINISHED ELECTRICAL SYSTEMS, INCLUDING, BUT NOT LIMITED TO, LOAD BANK TESTING OF AND COMMISSIONING THE GENSET AND ATS, MODIFYING THE WIRELESS CONTACT SYSTEM AND INSTALLATION OF THE UN-FINISHED ASSOCIATED ELECTRICAL SYSTEMS.
- B. ALL SALVAGEABLE MATERIAL SHALL BE OBTAINED FROM THE SITE AND DELIVERED TO THE OWNER'S WAREHOUSE AT 1660 GRAND CAILLOU ROAD, HOUMA, LA 70363.

NOTES:

- E101 TO INDICATE THE EXISTING CONDITIONS OF THE FAR AND NEAR SIDE TRAFFIC LIGHTS, ESC SHALL SEE PLAN SHEET E2 AND E3 DRAWINGS AND NOTES FOR DETAILS.
- E102 TO INDICATE THE EXISTING CONDITIONS OF THE FAR AND NEAR SIDE GATES, ESC SHALL SEE PLAN SHEET E2 AND E3 DRAWINGS AND NOTES FOR DETAILS.
- E103 TO INDICATE THE EXISTING CONDITIONS OF THE FAR AND NEAR SIDE BARRIER SYSTEM, ESC SHALL SEE PLAN SHEET E2 AND E3 DRAWINGS AND NOTES FOR DETAILS.
- E104 TO INDICATE THE EXISTING CONDITIONS OF THE ELECTRICAL SERVICE ENTRANCE RISER AND ASSOCIATED MANUAL TRANSFER SWITCH (MTS), ESC SHALL SEE PLAN SHEET E2 DRAWING AND NOTES FOR DETAILS.
- E106 TO INDICATE THE EXISTING CONDITIONS OF THE GENSET, FUEL TANK CONCRETE SLABS AND THE ASSOCIATED GENSET WIRING, ESC SHALL SEE PLAN SHEET E2 DRAWING AND NOTES FOR DETAILS.
- E108 TO INDICATE THE EXISTING CONDITIONS OF THE FAR SIDE DISTRIBUTION PANEL AND ASSOCIATED WIRING, ESC SHALL SEE PLAN SHEET E2 DRAWING AND NOTES FOR DETAILS.
- E107 TO INDICATE THE EXISTING CONDITIONS OF JB1 AND ASSOCIATED WIRING, ESC SHALL SEE PLAN SHEET E2 DRAWING AND NOTES FOR DETAILS.
- E108 TO INDICATE THE EXISTING CONDITIONS OF JB2 AND ASSOCIATED WIRING, ESC SHALL SEE PLAN SHEET E2 DRAWING AND NOTES FOR DETAILS.
- E109 TO INDICATE THE EXISTING CONDITIONS OF JB3, JB9 AND ASSOCIATED POWER AND CONTROL WIRING, ESC SHALL SEE PLAN SHEET E2 DRAWING AND NOTES FOR DETAILS.
- E110 TO INDICATE THE EXISTING CONDITIONS OF THE FAR SIDE JB4 AND NEAR SIDE JBS AND ASSOCIATED SUBMARINE POWER AND CONTROL CABLE, ESC SHALL SEE PLAN SHEET E2 DRAWING AND NOTES FOR DETAILS. THIS SUBMARINE CABLE CONSISTS OF THE POWER CONDUCTORS TO SERVE THE NEAR SIDE AND THE CONTROL CONDUCTORS TO ENABLE REMOTE CONTROL OF THE TRAFFIC LIGHTS.
- E111 TO INDICATE THE EXISTING CONDITIONS OF THE DAMAGED SUBMARINE CONTROL CABLE AND NEAR SIDE JB6 AND JB7, ESC SHALL SEE PLAN SHEET E2 DRAWING AND NOTES FOR DETAILS. THE EXISTING PHOENIX WIRELESS CONTACT SYSTEM ENABLES THE REMOTE CONTROL OF THE FOLLOWING NEAR SIDE COMPONENTS: UP AND DOWN OF ON-COMING AND OFF-GOING GATES AND THE UP AND DOWN OF THE BARRIER,
- E112 TO INDICATE THE EXISTING CONDITIONS OF THE NEAR SIDE DISTRIBUTION PANEL BOARD AND ASSOCIATED WIRING, ESC SHALL SEE PLAN SHEET E2 DRAWING AND NOTES FOR DETAILS.
- E113 TO INDICATE THE EXISTING CONDITIONS OF THE NEAR SIDE JB8 AND ASSOCIATED WIRING, ESC SHALL SEE PLAN SHEET E2 DRAWING AND NOTES FOR DETAILS.

CADD FILE NAME:
441057 E1E4 RD.dwg

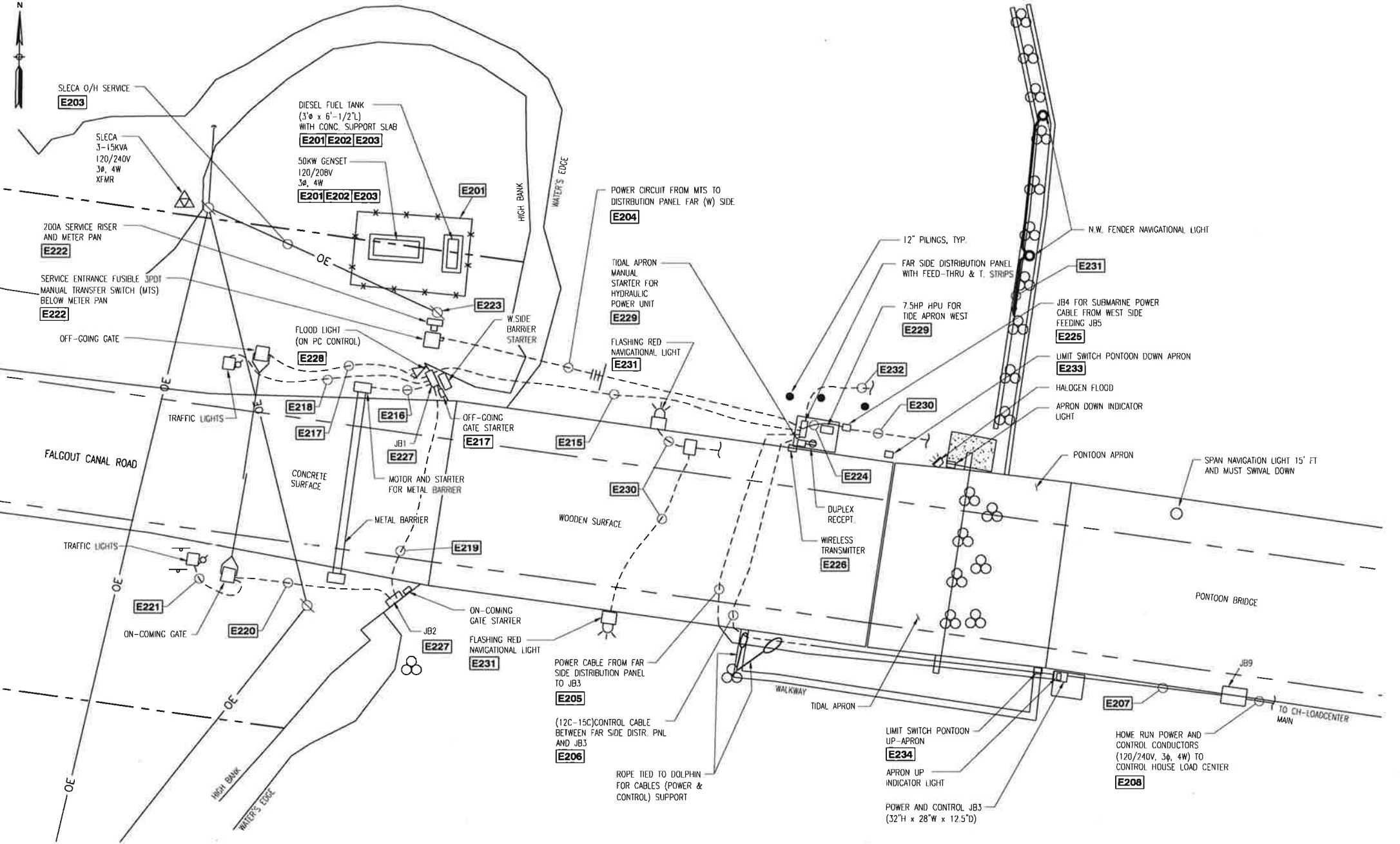
RECORD DRAWING
These completed engineering as-built record drawings are a compilation of a copy of the original sealed engineering design drawings for this project, modified by addenda, change orders and information furnished by the contractor. The information shown on these completed engineering as-built record drawings that was provided by the contractor or other sources is not the responsibility of the engineer. The engineer's responsibility is the compilation of this information does not relieve the contractor of responsibility for errors resulting to incorrect, incomplete or omitted data on the contractor's as-built record drawings - nor does it relieve the contractor of responsibility for non-conformance with the original contract documents. The original sealed engineering drawings are on file in the files of Providence/GSE Associates, LLC, 1201 Main St., Suite 501, Houma, LA 70363, (845) 876-6360. Professional Engineer Harold P. Terry with License Number 13180 (Jan. 5, 2017)

PROVIDENCE/ GSE Associates, LLC
1201 Main St. Suite 501, Houma, LA 70363 (845) 876-6360
2315 N. Magnolia, Lake Charles, LA 70601 (337) 483-7408
ENGINEERS • ARCHITECTS • PLANNERS • SURVEYORS

DESIGNED BY: H.P.L.
DRAWN BY: T.M.P.
CHECKED BY: H.P.L.
DATE: SEPT. 16, 2014
SCALE: AS SHOWN
PLOT SCALE: 1:1
JOB NO. 441-057-GSE

JOB: PARISH PROJECT NO. 12-CDBG-32
FALGOUT CANAL PONTOON BRIDGE REPLACEMENT
EXISTING ELECTRICAL ONE-LINE RISER DIAGRAM
OWNER: Terrebonne Parish Consolidated Government
Terrebonne Parish, Louisiana

K:\Terrebonne\441\1\1\TCG441057GSE Falgout Pontoon Bridge\441057 E2E3 RD.dwg, E2, 1/5/2017 11:18:18 AM, 1:2, Todd



EXISTING PARTIAL ELECTRICAL SITE PLAN (FAR SIDE)

Scale: 1"=10'-0"

NOTES:

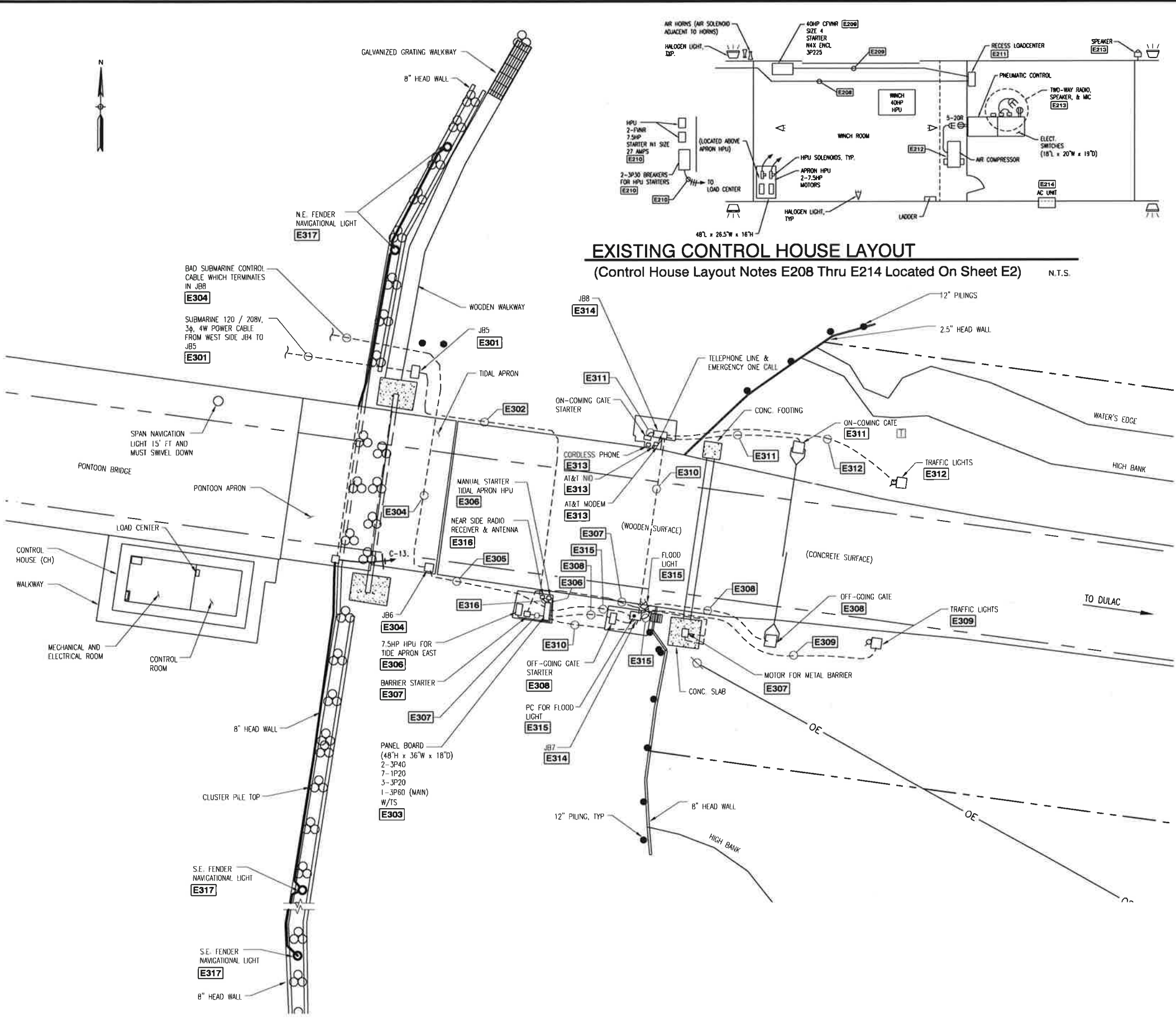
- E201 TO INSTALL PORTIONS OF THE NEW ELECTRICAL SYSTEM WHILE THE PONTOON BRIDGE REMAINS IN OPERATION...
E202 THE EXISTING CONCRETE SLABS OF THE GENERATOR AND FUEL TANK SHALL BE DEMOLISHED AS REUSABLE RIPRAP...
E203 DURING THE DEMOLITION PERIOD, THE CONTRACTOR SHALL COORDINATE WITH THE UTILITY (SLECA) AND HAVE THE OVERHEAD SERVICE CUT LOOSE AND DE-ENERGIZE THE EXISTING METER...
E204 DISCONNECT THE ELECTRIC POWER WIRING BETWEEN THE MTS AND THE FAR SIDE DISTRIBUTION PANEL...

- E210 THE THREE PHASE BRANCH CIRCUIT FROM THE LOADCENTER TO THE TWO PONTOON APRON STARTER BREAKERS SHALL NOT BE SALVAGED BUT SIMPLY DISCONNECTED FROM THE TWO BREAKERS...
E211 THE CONTROL HOUSE LOADCENTER, ALL ASSOCIATED BRANCH CIRCUITS, ELECTRICALLY CONNECTED OUTLET DEVICES, LIGHT FIXTURES, ETC. SHALL NOT BE SALVAGED...
E212 UN-PLUG THE CORD OF THE AIR COMPRESSOR AND REMOVE THE AIR COMPRESSOR FOR REUSE AS THE AIR SUPPLY IN THE NEW PONTOON BRIDGE WINCH ROOM...
E213 UN-PLUG THE TWO-WAY RADIO AND REMOVE THE TWO-WAY RADIO, SPEAKERS AND MIC FOR REUSE AS THE RADIO SYSTEM IN THE NEW PONTOON BRIDGE CONTROL ROOM...

- E216 POWER WIRING BETWEEN THE JB1 AND THE FAR SIDE BARRIER MOTOR VIA THE FAR SIDE BARRIER FVR STARTER, CONTRACTOR SHALL REUSE CONDUIT AND WIRING...
E217 POWER WIRING BETWEEN THE FAR SIDE JB1 AND THE OFF-GOING GATE MOTOR VIA THE FAR SIDE GATE FVR STARTER, CONTRACTOR SHALL REUSE CONDUIT AND WIRING...
E218 FLOOD LIGHT (ON PC CONTROL)
E219 CONTROL AND POWER WIRING BETWEEN THE FAR SIDE JB1 AND JB2 SHALL BE TRACED AND LABELED TO IDENTIFY EACH CONDUCTOR INTENDED USAGE AND THEIR RESPECTIVE CONNECTION ON THE TERMINAL STRIP (TS) OF JB2...

CADD FILE NAME: 441057 E2E3 RD.dwg
RECORD DRAWING
PROVIDENCE/ GSE Associates, LLC
PARISH PROJECT NO. 12-CDBG-32
FALGOUT CANAL PONTOON BRIDGE REPLACEMENT
EXISTING PARTIAL ELECTRICAL SITE PLAN (FAR SIDE)
OWNER: Terrebonne Parish Consolidated Government
Terrebonne Parish, Louisiana
DATE: SEPT. 16, 2014
SCALE: AS SHOWN
PLOT SCALE: 1:1
JOB NO. 441-057-GSE
DESIGNED BY: H.P.L.
DRAWN BY: T.M.P.
CHECKED BY: H.P.L.
SHEET NO. E2
2 OF 13

K:\Terrebonne\4411\11\TPCG\441057\GSE Falgout Pontoon Bridge\441057 E2E3 RD.dwg, E3, 1/5/2017 11:18:27 AM, 1:2, Todd



NOTES:

- E301 NEAR (EAST) SIDE JB5 SHALL BE REUSED IN THE NEW PLAN IN ITS PRESENT LOCATION. CONTRACTOR SHALL REFURBISH, REPLACE OR INSTALL NEW WING NUTS SECURING THE ENCLOSURE COVER. REFURBISHED COMPONENTS SHALL RECEIVE TWO APPLICATIONS OF GALVANIZE SPRAY PAINT ACCORDING TO MANUFACTURER INSTRUCTIONS. THE EXISTING CGB TERMINATOR OF THE ENTRY POWER CABLE SHALL BE REPLACED AS REQUIRED ACCORDING TO THE NEW PLAN. THE CONNECTIONS INSIDE THE ENCLOSURE SHALL BE REPLACED WITH ILSCO PBT INSULATED, IN-LINE, SPLICE TYPE CONNECTORS, OR EQUAL, CONNECTORS SIZED FOR THE CONDUCTORS.
- E302 THE FEEDER SECTION FROM JB5 TO THE UNMARKED NEAR SIDE PANEL BOARD SHALL BE REUSED EXCEPT FOR THE SHORT LFMC AT JB5. THIS LFMC SHALL BE REPLACED, ALONG WITH THE CONDUCTORS, ACCORDING TO THE NEW PLAN. IF THIS SECTION OF RACEWAY IS DAMAGED AT ANY POINT IN THE ROUTE, ESC SHALL MAKE REPAIRS AS REQUIRED.
- E303 NEAR SIDE DISTRIBUTION PANEL BOARD ENCLOSURE SHALL BE REUSED, BUT THE INTERNAL COMPONENTS SHALL BE MODIFIED. THE MODIFICATION SHALL CONSIST OF REPLACING THE EXISTING INTERIOR BACK PANEL, OPEN DISTRIBUTION PANEL AND BREAKERS AND THE INSULATED TERMINAL STRIP AND POWER BLOCK WITH NEW COMPONENTS TO MATCH THE EXISTING IN ACCORDANCE WITH THE NEW PLAN. THE RENOVATED PANEL BOARD SHALL BECOME PANEL "C" IN THE NEW PLAN.
- E304 DAMAGED CONTROL CABLE BETWEEN THE FAR SIDE DISTRIBUTION PANEL/ TERMINAL STRIP AND JB6 ON THE NEAR (EAST) SIDE SHALL BE ABANDONED IN PLACE. THE ESC MAY REMOVE THE ENTIRE OR PORTION OF THIS SECTION OF CABLE AS SCRAP MATERIAL, INCLUDING JB6, SUBJECT TO THE APPROVAL OF THE ENGINEER.
- E305 CONTROL CABLE BETWEEN JB6 AND NEAR (EAST) SIDE DISTRIBUTION PANEL/ TERMINAL STRIP SHALL BE REMOVED AS SCRAP MATERIAL.
- E306 NEAR SIDE 7.5 HP TIDAL APRON HPU AND ITS EXISTING CIRCUIT RACEWAY FROM THE NEAR SIDE PANEL BOARD VIA THE EXISTING MANUAL REVERSING STARTER SHALL BE REUSED. ESC SHALL REPAIR ANY BROKEN RACEWAY AND REPLACE THE EXISTING CORRODED RACEWAY FITTINGS AS REQUIRED. UPON ACCURATELY TAGGING THE EXISTING CONDUCTORS FOR THEIR INTENDED USE, ESC SHALL ALSO REPLACE THE EXISTING POWER CONDUCTORS WITH NEW THWN TYPE INSULATION OF EQUAL SIZE AND MAKE CONNECTIONS IN ACCORDANCE WITH THE NEW PLAN.
- E307 THE 3.5 HP NEAR SIDE BARRIER SYSTEM AND ITS EXISTING CIRCUIT RACEWAY FROM THE NEAR SIDE PANEL BOARD TO THE BARRIER MOTOR SHALL BE REUSED. THE EXISTING BARRIER STARTER SHALL BE REPLACED WITH A NEW COMBINATION STARTER ACCORDING TO THE NEW PLAN. ESC SHALL REPAIR ANY BROKEN RACEWAY AND REPLACE THE EXISTING CORRODED RACEWAY FITTINGS AS REQUIRED TO MATCH EXISTING MATERIALS. UPON ACCURATELY TAGGING THE EXISTING CONDUCTORS FOR THEIR INTENDED USE, ESC SHALL ALSO REPLACE THE EXISTING POWER CONDUCTORS WITH NEW THWN TYPE OF EQUAL SIZE AND MAKE CONNECTIONS IN ACCORDANCE WITH THE NEW PLAN.
- E308 THE OFF-GOING GATE AND ITS EXISTING CIRCUIT RACEWAY FROM THE NEAR SIDE PANEL BOARD TO THE GATE MOTOR VIA THE GATE STARTER AND JB7 SHALL BE REUSED ACCORDING TO THE NEW PLAN. ESC SHALL REPAIR ANY BROKEN RACEWAY AND REPLACE THE EXISTING CORRODED RACEWAY FITTINGS AS REQUIRED TO MATCH EXISTING MATERIALS. UPON ACCURATELY TAGGING THE EXISTING CONDUCTORS FOR THEIR INTENDED USE, ESC SHALL ALSO REPLACE THE EXISTING POWER AND SWITCHED CONDUCTORS WITH NEW THWN TYPE OF EQUAL SIZE AND MAKE CONNECTIONS IN ACCORDANCE WITH THE NEW PLAN.
- E309 THE SOUTHERN NEAR SIDE TRAFFIC LIGHTS (RED AND GREEN) AND ITS EXISTING CIRCUIT RACEWAY FROM THE NEAR SIDE PANEL BOARD TO THE TRAFFIC LIGHTS VIA JB7 SHALL BE REUSED ACCORDING TO THE NEW PLAN. ESC SHALL REPAIR ANY BROKEN RACEWAY AND REPLACE THE EXISTING CORRODED RACEWAY FITTINGS AS REQUIRED TO MATCH EXISTING MATERIALS. UPON ACCURATELY TAGGING THE EXISTING CONDUCTORS FOR THEIR INTENDED USE, ESC SHALL ALSO REPLACE THE EXISTING POWER AND SWITCHED CONDUCTORS WITH NEW THWN TYPE OF EQUAL SIZE AND MAKE CONNECTIONS IN ACCORDANCE WITH THE NEW PLAN.
- E310 THE SECTION OF THE POWER AND CONTROL SYSTEM RACEWAY FROM THE NEAR SIDE DISTRIBUTION PANEL/TERMINAL STRIP TO JB8 VIA JB7 SHALL BE REUSED TO SERVE THE ELECTRICAL COMPONENTS ON THE NORTHERN NEAR SIDE ACCORDING TO THE NEW PLAN. ESC SHALL REPAIR ANY BROKEN RACEWAY AND REPLACE THE EXISTING CORRODED RACEWAY FITTINGS AS REQUIRED TO MATCH EXISTING MATERIALS. UPON ACCURATELY TAGGING THE EXISTING CONDUCTORS FOR THEIR INTENDED USE, ESC SHALL ALSO REPLACE THE EXISTING POWER, CONTROL, AND SWITCHED CONDUCTORS WITH NEW THWN TYPE OF EQUAL SIZE AND MAKE CONNECTIONS IN ACCORDANCE WITH THE NEW PLAN.
- E311 THE ON-COMING GATE AND ITS EXISTING CIRCUIT RACEWAY FROM THE NEAR SIDE JB8 TO THE GATE MOTOR VIA THE GATE STARTER AND JB8 SHALL BE REUSED ACCORDING TO THE NEW PLAN. ESC SHALL REPAIR ANY BROKEN RACEWAY AND REPLACE THE EXISTING CORRODED RACEWAY FITTINGS AS REQUIRED TO MATCH EXISTING MATERIALS. UPON ACCURATELY TAGGING THE EXISTING CONDUCTORS FOR THEIR INTENDED USE, ESC SHALL ALSO REPLACE THE EXISTING POWER AND CONTROL CONDUCTORS WITH NEW THWN TYPE OF EQUAL SIZE AND MAKE CONNECTIONS IN ACCORDANCE WITH THE NEW PLAN.
- E312 THE NORTHERN NEAR SIDE TRAFFIC LIGHTS (RED AND GREEN) AND ITS EXISTING CIRCUIT RACEWAY FROM JB8 TO THE TRAFFIC LIGHTS SHALL BE REUSED ACCORDING TO THE NEW PLAN. ESC SHALL REPAIR ANY BROKEN RACEWAY AND REPLACE THE EXISTING CORRODED RACEWAY FITTINGS AS REQUIRED TO MATCH EXISTING MATERIALS. UPON ACCURATELY TAGGING THE EXISTING CONDUCTORS FOR THEIR INTENDED USE, ESC SHALL ALSO REPLACE THE EXISTING POWER AND SWITCHED CONDUCTORS WITH NEW THWN TYPE OF EQUAL SIZE AND MAKE CONNECTIONS IN ACCORDANCE WITH THE NEW PLAN.
- E313 THE EXISTING TELEPHONE SYSTEM CONSISTING OF AN AT&T NETWORK INTERFACE DEVICE (NID) AND MODEM SHALL BE REUSED FOR THE NEW SYSTEM. ESC SHALL RECONNECT THE 120V TO THE PHONE MODEM AND THE WIRELESS PHONE BASE USING THE SAME CONDUCTORS, REPAIRING ANY ASSOCIATED RACEWAY AS REQUIRED.
- E314 THE NEAR SIDE JB7 AND JB8 SHALL BE REUSED ACCORDING TO THE NEW PLAN. DUE TO THE OMISSION OF JB6 ACCORDING TO THE PREVIOUS NOTE E304, THE EXISTING JB7 AND JB8 SHALL BECOME JB6 AND JB7 IN THE PROPOSED PLAN.
- E315 NEAR SIDE FLOOD LIGHT AND ASSOCIATED PHOTO CONTROL AT JB7 SHALL BE REUSED FOR THE NEW PLAN, ESC SHALL CLEAN THE FIXTURE AND LENS AS REQUIRED TO ALLOW ADDITIONAL ILLUMINATION ACCORDING TO OUR NEW PLAN.
- E316 THE EXISTING PHOENIX NEAR SIDE WIRELESS RECEIVER/OUTPUT CONTACT SYSTEM SHALL BE MODIFIED INTO A TRANSCEIVER SYSTEM AND REUSED IN ITS PRESENT LOCATION, CONTINUING TO RECEIVE CONTROL POWER FROM THE NEAR SIDE DISTRIBUTION PANEL ACCORDING TO THE NEW PLAN.
- E317 EXISTING NEAR SIDE DOLPHIN AND BRIDGE APPROACH NAVIGATIONAL LIGHTS SHALL BE REUSE FOR THE NEW PLAN, INCLUDING CLEANING OF THE FIXTURES AND MODIFYING THE EXISTING WIRING TO PROVIDE UL LISTED CABLE SUPPORTS EVERY 3', AS REQUIRED, ACCORDING TO THE NEW PLAN

EXISTING PARTIAL ELECTRICAL SITE PLAN (NEAR SIDE)

Scale: 1"=10'-0"

CADD FILE NAME:
441057 E2E3 RD.dwg

RECORD DRAWING

These compiled engineering as-built record drawings are a compilation of a copy of the original sealed engineering design drawings for this project, modified by addenda, change orders and information furnished by the contractor. The information shown on these compiled engineering as-built record drawings that was provided by the contractor or others is not intended to be used for legal or liability purposes. The contractor is responsible for the accuracy of this information and for releasing the contractor of any errors resulting from incorrect, incomplete or omitted data on the contractor's as-built record drawings - nor does it relieve the contractor of responsibility for non-conformance with the original contract documents. The original sealed engineering drawings are on file in the office of the Professional Engineer, Harold P. Lefebvre, License Number 13190, (Jan. 5, 2017)

PROVIDENCE/ GSE Associates, LLC
1301 Main St.
Baton Rouge, LA 70802 (225) 799-7405
801 Canal Center Rd.
Houma, LA 70363 (845) 876-6360
2315 N. Westbank
Suite 201
Marrero, LA 70001

DATE: SEPT. 16, 2014
SCALE: AS SHOWN
PLOT SCALE: 1:1
JOB NO. 441-057-GSE

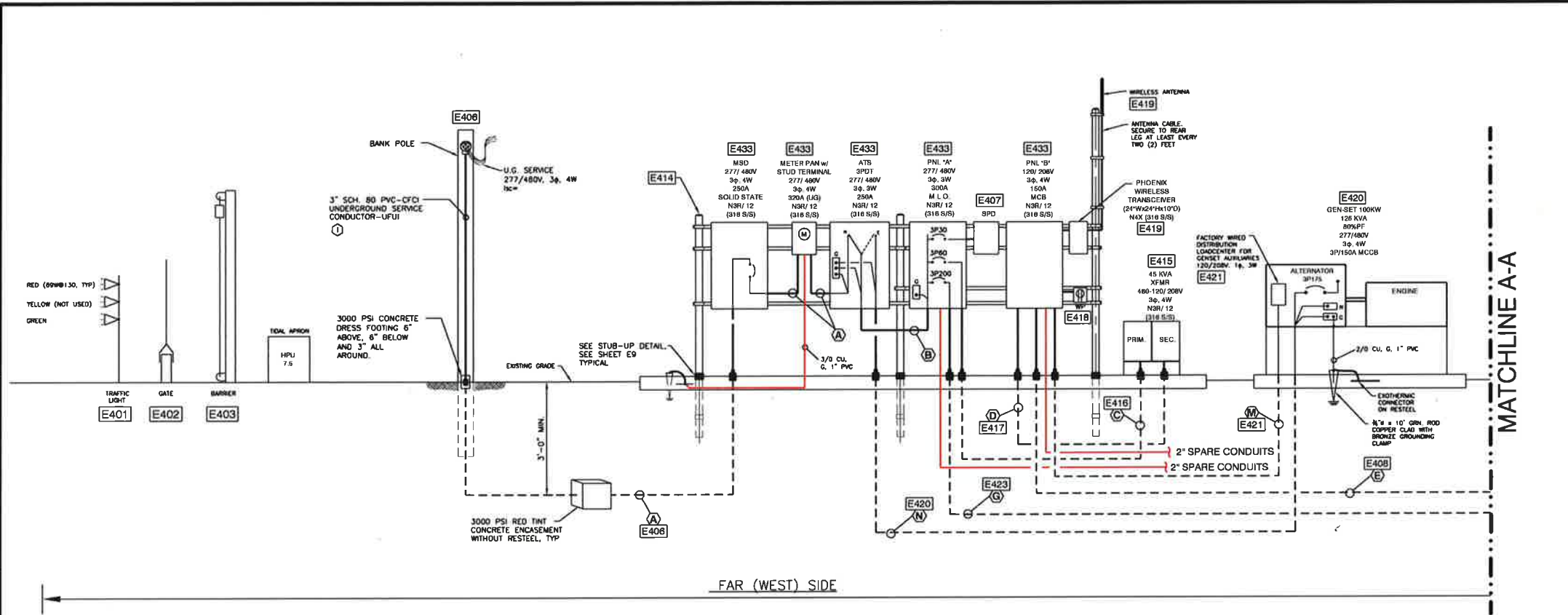
DESIGNED BY: H.P.L.
DRAWN BY: T.M.P.
CHECKED BY: H.P.L.

PARISH PROJECT NO. 12-CDBG-32
FALGOUT CANAL PONTOON BRIDGE REPLACEMENT
EXISTING PARTIAL ELECTRICAL SITE PLAN (NEAR SIDE)

OWNER: Terrebonne Parish Consolidated Government
Terrebonne Parish, Louisiana

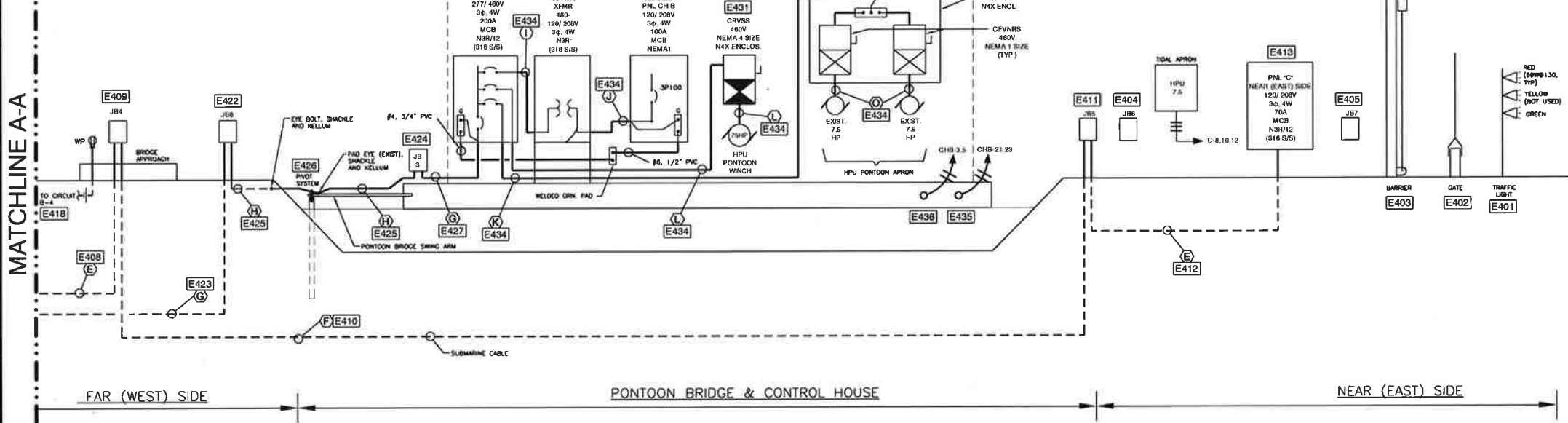
SHEET NO. **E3**
3 OF 13

K:\Terrebonne\441057\TPCG441057GSE Falgout Pontoon Bridge\441057 E1E4 RD.dwg, E4 ADDENDUM NO. 1, 1/5/2017 11:18:07 AM, 1:2, Todd



- NOTES:**
- E401 FOR THE POWER CIRCUITING OF FAR SIDE AND NEAR SIDE ON-COMING TRAFFIC LIGHTS ON OPPOSITE SIDES OF THE ROAD, ESC SHALL REFER TO PLAN DRAWING E8 OR E9 FOR CIRCUIT DETAILS.
 - E402 FOR THE POWER CIRCUITING OF FAR SIDE AND NEAR SIDE ON-COMING AND OFF-GOING GATES, ESC SHALL REFER TO PLAN DRAWING E8 OR E9 FOR CIRCUIT DETAILS.
 - E403 FOR THE POWER CIRCUITING OF FAR SIDE AND NEAR SIDE BARRIERS, ESC SHALL REFER TO PLAN DRAWING E8 OR E9 FOR CIRCUIT DETAILS.
 - E404 ACCORDING TO NOTE E240, THIS FORMER JB7 ON THE NEAR SIDE SHALL BE INDICATED AS JB6. ESC SHALL REFER TO PLAN DRAWING E4 FOR CIRCUIT DETAILS.
 - E405 ACCORDING TO NOTE E240, THIS FORMER JB6 ON THE NEAR SIDE SHALL BE INDICATED AS JB7. ESC SHALL REFER TO PLAN DRAWING E4 FOR CIRCUIT DETAILS.
 - E406 INSTALL NEW UNDER GROUND (U.G.) SERVICE FROM EXISTING SLECA BANK POLE (277/480 V, 3P, 4W) TO THE MAIN SERVICE DISCONNECT (MSD) AS INDICATED.
 - E407 INSTALL A NEW SURGE PROTECTIVE DEVICE (SPD) ON THE ELECTRICAL RACK AS INDICATED IN THE ONE LINE RISER. THE NEW SPD SHALL BE UL 1449, UL 1283 & CSA22.2 LISTED; EXTERNAL MOUNT TYPE; 277/480 VOLTS; 3P, 4W + G; NEMA4X-SS ENCLOSURE; SURGE RATING WITH THE FOLLOWING DIAGNOSTIC DISPLAY FEATURES: STATUS INDICATION ON EACH PHASE, TRI-MONITOR, TROUBLE LIGHT (FLASHING ALARM), FORM C CONTACT (REMOTE ALARM), AND MONITOR TEST POINT; THE SPD SHALL HAVE THE FOLLOWING SURGE RATING: 500,000 AMPS MINIMUM PER PHASE. SPD AS MANUFACTURED BY CUTLER-HAMMER CAT # SPD-200-480V-3-P OR SQUARE D # TV54EM6GA, SIEMENS, GE EQUAL OR APPROVED EQUAL. FROM THE NEW 3P/300 AMP BREAKER OF PANEL 'A', INSTALL 5 - #8 THWN LEADS AS SHOWN AS POSSIBLE AND CONNECT THE NEW SPD.
 - E408 INSTALL FEEDER FROM PANEL BOARD 'B' TO FAR SIDE JB4 AS INDICATED, ROUTING THE FEEDER UNDER GROUND AND ALONG THE BRIDGE APPROACH AS REQUIRED.
 - E409 REFERRING TO PLAN SHEET FOR THE NEW SYSTEMS AND NOTE E225, ESC SHALL INSTALL A NEW JB4 THROUGH THE HAND RAIL AS REQUIRED TO ACCESS THE JB FROM THE WALKING AREA OF THE BRIDGE APPROACH AS INDICATED ON THIS RISER DIAGRAM AND ON THE PLAN SHEET. THE JB4 SHALL INCLUDE A BACK PANEL, PLANO HINGE COVER, FAST OPERATING CLAMP ASSEMBLY (APC4128S) AND A NEMA 4X 318 SS, 14 GA. ENCLOSURE (HOFFMAN, OR EQUAL BY SAGINAW), USING INSULATED POWER BLOCKS WITH OXIDE INHIBITOR FOR PHASES AND NEUTRAL CONDUCTOR CONNECTIONS. THE GROUNDING CONDUCTOR SHALL BE CONNECTED TO THE SUBMARINE CONCENTRIC STEEL STRANDS, ALL COATED WITH OXIDE INHIBITOR, USING A TWO-BOLT CLAMP. ESC SHALL CONFIRM THAT THE CONCENTRIC STEEL STRANDS WILL PROVIDE A LOW RESISTIVE GROUND FAULT CURRENT PATH BETWEEN JB4 AND JB5 BY PERFORMING A MEGGER TEST TO THE SYSTEM AS REQUIRED.
 - E410 EXISTING SUBMARINE CABLE ON THE FAR SIDE SHALL BE TRAINED FROM ITS EXISTING LOCATION (SEE NOTE E228) AND MOVE THE CABLE TO THE REPOSITIONED JB4 AS REQUIRED. USING A SUPPORT ON THE TIMBER STRUCTURE AND WIRE MESS 316 STAINLESS STEEL STRAIN RELIEF CONNECTOR (KELLUM GRIP) TO HOLD CABLE STRAIN OFF OF JB FITTING TERMINATION. PROVIDE A SPECIALIZED CGB HEAT-SHRINKABLE CABLE ENTRY SEAL BY RAYCHEM (TYCO ELECTRONICS PART NO. CES-2, OR APPROVED EQUAL) TO ACCOMMODATE THE SUBMARINE CABLE O.D., OR APPROVED EQUAL, FOR THE CABLE TO ENTER THE JB, INSTALLING THE CGB ACCORDING TO MANUFACTURER'S INSTRUCTIONS.
 - E411 THE EXISTING NEAR SIDE JB5 SHALL BE REUSED FOR THE NEW PLAN, CLEANING OUT THE ENCLOSURE AND REPLACING ALL TERMINALS WITH INSULATED POWER BLOCKS WITH OXIDE INHIBITOR FOR PHASES AND NEUTRAL CONDUCTOR CONNECTIONS. THE OUTGOING GROUNDING CONDUCTOR SHALL BE CONNECTED TO THE SUBMARINE CONCENTRIC STEEL STRANDS WITH OXIDE INHIBITOR, USING A TWO-BOLT CLAMP. ESC SHALL CONFIRM THAT THE CONCENTRIC STEEL STRANDS WILL PROVIDE A LOW RESISTIVE GROUND FAULT CURRENT PATH BETWEEN JB4 AND JB5 BY PERFORMING A MEGGER TEST TO THE SYSTEM AS REQUIRED. ALL UNUSED OPENING IN THE ENCLOSURE SHALL BE SEALED CLOSED AND ALL CORROSION WING NUTS SHALL BE REPLACED AS REQUIRED.
 - E412 ESC SHALL REFER TO NOTE E302 FOR THIS SECTION OF NEAR SIDE FEEDER BETWEEN JB5 AND THE NEW PANEL BOARD 'C', REPAIRING THE CONDUIT SYSTEM AND REPAIRING PORTIONS OF THE CONDUIT AS REQUIRED. UPON ESTABLISHING A USABLE CONDUIT SYSTEM, INSTALL NEW CONDUCTORS AS INDICATED, MAKING ALL CONNECTIONS, USING OXIDE INHIBITOR COMPOUND TO SEAL THE CONNECTIONS.
 - E413 PRIOR TO ANY WORK ON THIS PANEL BOARD, ESC SHALL TRACE AND TAG ALL OPERATING CONDUCTORS FOR THEIR INTENDED USE AND FUTURE REFERENCE. REFERRING TO NOTE E305, ESC SHALL INSTALL THE NEW BACK PANEL, TERMINAL STRIP AND OPEN PANEL 'C' IN THE EXISTING ENCLOSURE. PANEL BOARD 'C' SHALL INCLUDE MAIN AND BRANCH BREAKERS INDICATED ON PANEL SCHEDULE 'C'. UPON COMPLETION OF THE RENOVATED WORK, ESC SHALL TERMINATE THE NEW FEEDER CONDUCTORS AS REQUIRED USING OXIDE INHIBITOR ON EACH CONNECTION.
 - E414 INSTALL NEW PANEL RACK ON THE NEAR SIDE AS INDICATED AND FURTHER DETAILED FOR CONSTRUCTION ON PLAN SHEET E8.
 - E415 INSTALL NEW 45 KVA TRANSFORMER ON CONCRETE SLAB AS INDICATED. SEE CIVIL PLAN SHEET FOR CONCRETE SLAB DETAILS OF THE GENSET AND ELECTRICAL RACK. ANCHOR TRANSFORMER ENCLOSURE ACCORDING TO MANUFACTURER'S RECOMMENDATIONS USING SS ANCHORS. THE BOTTOM TRANSFORMER CONNECTIONS SHALL NOT BE BELOW THE ELECTRICAL DATUM ELEVATION.
 - E416 INSTALL NEW FEEDER FROM PANEL 'A' TO PRIMARY SIDE OF THE 45 KVA TRANSFORMER, MAKING ALL CONNECTIONS USING OXIDE INHIBITOR.
 - E417 INSTALL THE NEW SECONDARY FEEDER FROM THE TRANSFORMER TO THE MAIN BREAKER OF PANEL BOARD 'B' AS INDICATED, MAKING ALL CONNECTIONS USING OXIDE INHIBITOR.
 - E418 INSTALL WEATHER PROOF WHILE-IN-USE RECEPTACLE ON THE ELECTRICAL RACK AND SERVE IT WITH THE CIRCUIT B-4 INDICATED IN PANEL 'B'. EXTEND THIS CIRCUIT U.G. AND ALONG SIDE OF THE BRIDGE APPROACH TO THE WP TIDAL APRON RECEPTACLE. SEE PLAN SHEET E8, NOTE E519 FOR FURTHER DETAILS.
 - E419 ONCE THE FAR SIDE PHOENIX WIRELESS CONTACT SYSTEM AND ASSOCIATED ANTENNA HAS BEEN MODIFIED FOR THE NEW PLAN AS INDICATED BY THE DETAILED WIRING DIAGRAM, ESC SHALL INSTALL THE PHOENIX UNIT ON THE ELECTRICAL RACK AS INDICATED AND INSTALL THE DEDICATED B-31 CIRCUIT OF PANEL 'B' USING #12 AWG CONDUCTORS AND 3/4" NIPPLE.
 - E420 THE GENSET SHALL BE INSTALLED ON THE NEW SLAB AND ANCHORED AS REQUIRED BY THE MANUFACTURER. INSTALL FEEDER CIRCUIT FROM GENSET TO ATS EMERGENCY TERMINALS AS INDICATED. SEE GENSET CONCRETE FOUNDATION AND STUB UP DETAIL ON PLAN SHEET C3.
 - E421 INSTALL NEW FEEDER CIRCUIT FROM PANEL 'B' TO FACTORY INSTALLED LOAD CENTER OF THE GENSET AS INDICATED IN THE PANEL SCHEDULE.
 - E422 INSTALL NEW JB6 ON THE FAR SIDE TIMBER STRUCTURE OF THE BRIDGE APPROACH IN A LOCATION THAT WILL ENABLE PERSONNEL ACCESS AND A TRANSITION FROM A CONDUIT AND CONDUCTOR SYSTEM TO A MARINE P-TYPE CABLE CONSTRUCTION. THE LOCATION FOR JB6 SHALL BE MOUNTED WITH THE BOTTOM OF THE ENCLOSURE AT THE ELEVATION OF THE ROADWAY OF THE BRIDGE AND SELECTED BY THE CONTRACTOR WITH APPROVAL OF THE ENGINEER. THE JB6 ENCLOSURE SHALL BE A MINIMUM DIMENSION OF 24" W X 30" H X 8" D WITH BACK PANEL, PLANO HINGE COVER, PAD LOCKABLE FAST OPERATING CLAMP ASSEMBLY (APC4128S) AND A NEMA 4X 318 SS, 14 GA. ENCLOSURE (HOFFMAN, OR EQUAL BY SAGINAW), USING INSULATED POWER BLOCKS WITH OXIDE INHIBITOR FOR PHASES AND GROUND CONDUCTOR CONNECTIONS, INCLUDING A FRAME ANCHOR BAR FOR BONDING THE ENCLOSURE.
 - E423 INSTALL FEEDER CIRCUIT FROM FAR SIDE PANEL 'A' TO JB6 AS INDICATED.
 - E424 INSTALL NEW JB3 ON THE FAR SIDE END OF THE PONTOON BRIDGE IN A LOCATION THAT WILL ENABLE PERSONNEL ACCESS AND A TRANSITION FROM A MARINE P-TYPE CABLE CONSTRUCTION TO A CONDUIT AND CONDUCTOR SYSTEM. THE LOCATION FOR JB3 SHALL BE MOUNTED WITH THE BOTTOM OF THE ENCLOSURE AT THE ELEVATION OF THE ROADWAY OF THE BRIDGE AND SELECTED BY THE CONTRACTOR WITH APPROVAL OF THE ENGINEER. THE JB3 ENCLOSURE SHALL BE A MINIMUM DIMENSION OF 24" W X 30" H X 8" D WITH BACK PANEL, PLANO HINGE COVER, PAD LOCKABLE FAST OPERATING CLAMP ASSEMBLY (APC4128S) AND A NEMA 4X 318 SS, 14 GA. ENCLOSURE (HOFFMAN, OR EQUAL BY SAGINAW), USING INSULATED POWER BLOCKS WITH OXIDE INHIBITOR FOR PHASES AND GROUND CONDUCTOR CONNECTIONS, INCLUDING A FRAME ANCHOR BAR FOR BONDING THE ENCLOSURE.
 - E425 INSTALL UN-SPLICED MARINE P-TYPE CABLE SECTION BETWEEN JB6 AND JB3 AS INDICATED, USING A SPECIALIZED CGB HEAT-SHRINKABLE CABLE ENTRY SEAL BY RAYCHEM (TYCO ELECTRONICS PART NO. CES-4, OR APPROVED EQUAL) ACCORDING TO MANUFACTURER'S INSTRUCTIONS FOR ENTRY OF THE CABLE INTO THE JB3. TO SUPPORT AND PROTECT THE CABLE ALONG THE UNDERSIDE OF THE BRIDGE APPROACH, INSTALL THE CONDUIT AS REQUIRED FROM JB3 IN 3" SCH 80 PVC TO JUST BEFORE THE END OF THE TIMBER, TERMINATING THE CONDUIT WITH A BELL-END FITTING TO ALLOW THE CABLE TO CONTINUE EXPOSED. CONTINUING THE EXPOSED CABLE, INSTALL A 318 SS EYE-BOLT AND SHACKLE SUPPORT SYSTEM NEAR THE END OF THE TIMBER STRUCTURE OF THE BRIDGE APPROACH TO SECURE A WIRE MESS 316 STAINLESS STEEL STRAIN RELIEF CONNECTOR (KELLUM GRIP - HUBBELL CAT # 0220013 OR EQUAL) TO HOLD CABLE STRAIN OFF OF THE BRIDGE APPROACH. FROM THE KELLUM STRAIN RELIEF ON THE BRIDGE, ROUTE THE CABLE THROUGH A SECOND INSTALLED WIRE MESS 316 STAINLESS STEEL STRAIN RELIEF CONNECTOR MOUNTED THROUGH ANOTHER SHACKLE IN THE EXISTING WELDED PAD-EYE ON THE PIVOT ARM LOCATED JUST OFF OF THE PIVOT, AND CONTINUE TO INSTALL THE CABLE ON THE EXISTING SS C-STRUT WELDED TO THE PIVOT ARM EVERY 2', USING A SPECIALIZED TAB SUPERSTRUT LOCKING S/S COBRA CABLE CLAMP (CPC SERIES FOR THE O.D. OF CABLE) WITH ANTI-VIBRATION NUT TO JB3. SEE SHEET E5 FOR CABLE ROUTING.
 - E426 THE CABLE SHALL BE EXTENDED BETWEEN THE TWO KELLUM GRIPS INDICATED IN NOTE E425 SUCH THAT THE CABLE SPANDED OVER THE WATER AND ROUND THE PIVOT IS LONG ENOUGH TO ALLOW THE PONTOON BRIDGE TO SWING 90° AND REST AGAINST THE DOLPHINS.
 - E427 INSTALL UN-SPLICED FEEDER SECTION OF CONDUIT AND CONDUCTORS BETWEEN JB3 AND THE MAIN BREAKER OF THE CONTROL HOUSE PANEL BOARD 'CH-A' AS INDICATED. THIS SECTION OF THE 480 VOLT CIRCUIT SHALL BE ROUTED IN SCHEDULE 80 PVC CONDUIT WITH EXPANSION JOINTS ACCORDING TO THE SPECIFICATIONS. THE ROUTING OF THE CONDUIT SHALL BE ON THE INSIDE OF THE HAND RAIL, BUT PLACEMENT AND SUPPORTS SHALL BE SELECTED BY THE CONTRACTOR AND APPROVED BY ENGINEER.
 - E428 INSTALL THE CONTROL HOUSE PANEL BOARD 'CH-A' ON THE WALL ABOVE THE MEZZANINE LEVEL OF THE WINCH ROOM AS INDICATED ON PLAN SHEET E7, USING C-STRUT SECURELY ANCHORED TO THE STRUCTURAL MEMBERS OF THE WALL TO SUPPORT THE PANEL BOARD ENCLOSURE.
 - E429 INSTALL NEW 30 KVA TRANSFORMER ON THE MEZZANINE LEVEL OF THE WINCH ROOM AS INDICATED ON PLAN SHEET E7, ANCHORING THE TRANSFORMER TO THE FLOOR, USING VIBRATION DAMPENING MOUNTS ACCORDING TO THE RECOMMENDATION OF THE MANUFACTURER.
 - E430 INSTALL NEW CONTROL HOUSE PANEL 'CH-B' RECESSED (FLUSH) IN THE WALL AS INDICATED ON PLAN SHEET E7, ACCORDING TO THE RECOMMENDATION OF THE MANUFACTURER.

- SCHEDULE OF BRANCH CIRCUITS, MIN. #12 CONDUCTORS, UNLESS INDICATED AS FOLLOWS:**
- (A) 3-3/0+3/0N, 3°C.
 - (B) 3-3/0+3/0G, 3°C.
 - (C) 3#8+8G, 1°C.
 - (D) 3-1/0+1/0N+4G, 2°C.
 - (E) 3#3+3N+8G, 1 1/2°C.
 - (F) EXISTING SUBMARINE (3#3+3N+CONC. STEEL-G)
 - (G) 3-3/0+2G, 3" SCH. 80 PVC
 - (H) TYPE P CABLE: 3-3/0+4G
 - (I) 3#8+8G, 3/4"AL
 - (J) 3#2+2N+8G, 1 1/2"AL
 - (K) 3#10+10G, 3/4"AL
 - (L) 3#1/0+10G, 1 1/2"AL
 - (M) 2#8+8N+10G, 3/4"AL
 - (N) 3-3/0+3/0N+2G, 3°C
 - (O) 3#12+12G, 3/4"AL



ELECTRICAL ONE-LINE RISER DIAGRAM
NOT TO SCALE

CADD FILE NAME: 441057 E1E4 RD.dwg

RECORD DRAWING

PROVIDENCE/
GSE Associates, LLC
601 N. Main St.
Baton Rouge, LA 70802 (225) 769-7251
(845) 376-6380

DESIGNED BY: H.P.L.
SCALE: AS SHOWN
DRAWN BY: T.M.P.
CHECKED BY: H.P.L.

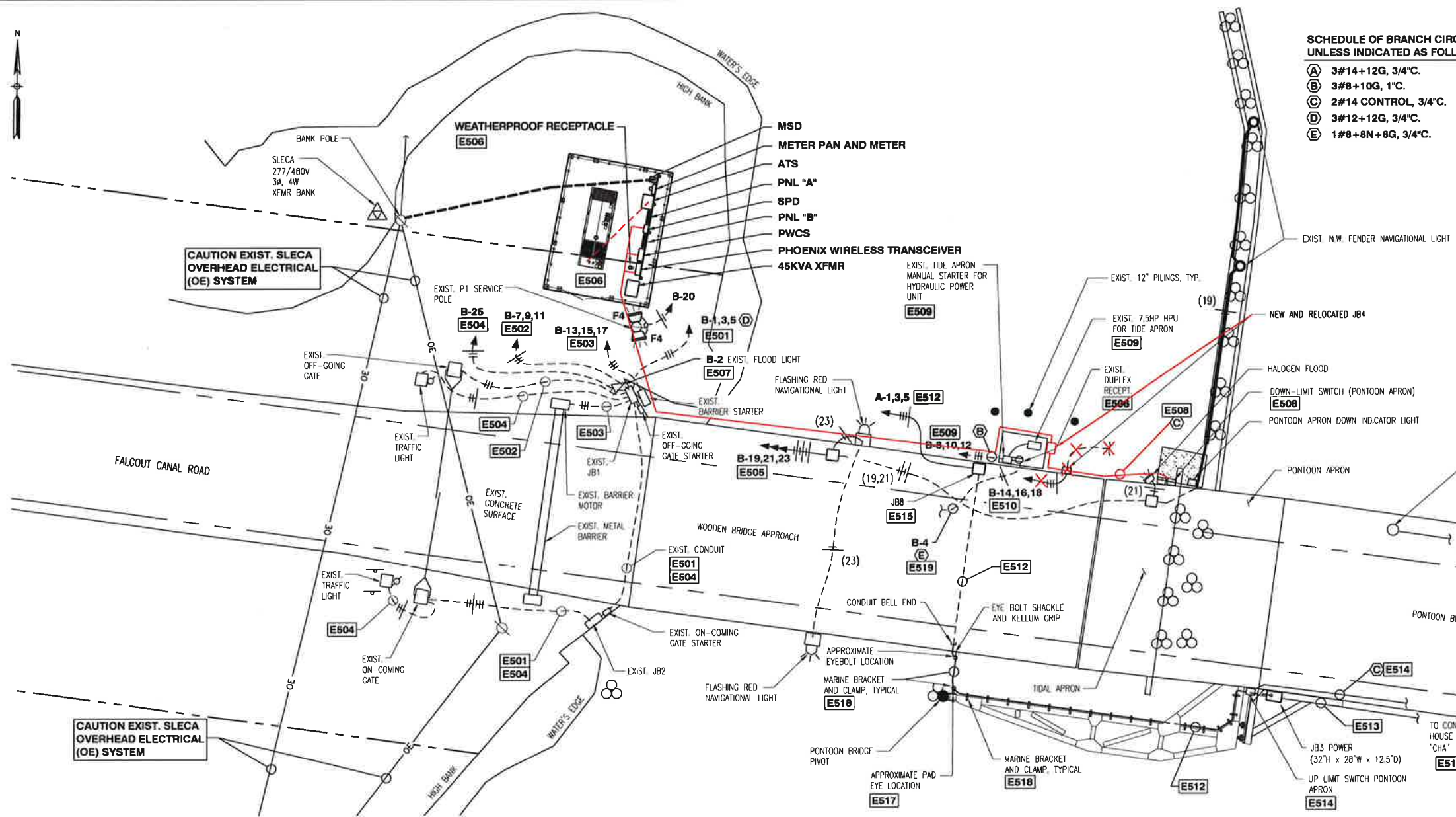
DATE: SEPT. 16, 2014
JOB NO. 441-057-GSE

PARISH PROJECT NO. 12-CDBG-32
FALGOUT CANAL PONTOON BRIDGE REPLACEMENT
ELECTRICAL ONE-LINE RISER DIAGRAM

OWNER: Terrebonne Parish Consolidated Government
Terrebonne Parish, Louisiana

SHEET NO. **E4**
4 OF 13

K:\Terrebonne\441\1\1\TPCG\441057GSE\Falgot Pontoon Bridge\441057 E5E6 RD.dwg, E5, 1/5/2017 11:18:39 AM, 1:2, Todd



- SCHEDULE OF BRANCH CIRCUITS, MIN. #12 CONDUCTORS, UNLESS INDICATED AS FOLLOWS:**
- (A) 3#14+12G, 3/4"C.
 - (B) 3#8+10G, 1"C.
 - (C) 2#14 CONTROL, 3/4"C.
 - (D) 3#12+12G, 3/4"C.
 - (E) 1#8+8N+8G, 3/4"C.

- ABBREVIATION LEGEND:**
- MSD = MAIN SERVICE DISCONNECT
 - ATS = AUTOMATIC TRANSFER SWITCH
 - SPD = SURGE PROTECTIVE DEVICE
 - ALC = AUTOMATIC LIGHTING CONTACTOR
 - PWCS = PHOENIX WIRELESS CONTACT SYSTEM

PARTIAL ELECTRICAL SITE PLAN (FAR SIDE)

Scale: 1"=10'-0"

NOTES:

- E501** INSTALL THE ON-COMING GATE CIRCUIT AS INDICATED IN NEW UNDERGROUND (UG) CONDUIT FROM PANEL "B" TO JB1. USE EXISTING CONDUITS FROM JB1 VIA JB2 TO ON-COMING GATE STARTER. WITH THESE CIRCUIT CONDUCTORS TO THE STARTER, INSTALL THREE (3) ADDITIONAL #14 AWG CONTROL CONDUCTORS INDICATED IN THE PWCS WIRING DIAGRAM THAT ARE ASSOCIATED WITH THE UP/DOWN OPERATION OF THE GATE.
E502
- E502** INSTALL THE OFF-GOING GATE CIRCUIT AS INDICATED IN NEW UG CONDUIT FROM PANEL "B" TO JB1. USE EXISTING CONDUITS FROM JB1 VIA OFF GOING GATE STARTER AND FROM JB1 TO OFF-GOING GATE OPERATOR. INCLUDE, WITH THESE CIRCUIT CONDUCTORS TO THE STARTER, THE THREE (3) #14 AWG CONTROL CONDUCTORS INDICATED IN THE PWCS WIRING DIAGRAM THAT ARE ASSOCIATED WITH THE UP/DOWN OPERATION OF THE GATE.
E503
- E503** INSTALL THE BARRIER MOTOR CIRCUIT AS INDICATED IN NEW UG CONDUIT FROM PANEL "B" TO JB1 AND USE EXISTING CONDUITS FROM JB1 VIA BARRIER STARTER AND JB1 TO BARRIER MOTOR. INCLUDE, WITH THESE CIRCUIT CONDUCTORS TO THE STARTER, THE THREE (3) #14 AWG CONTROL CONDUCTORS INDICATED IN THE PWCS WIRING DIAGRAM THAT ARE ASSOCIATED WITH THE UP/DOWN OPERATION OF THE BARRIER.
E504
- E504** INSTALL THE RED AND GREEN TRAFFIC LIGHT CIRCUIT AS INDICATED IN NEW UG CONDUIT FROM PANEL "B" VIA PWCS TO JB1. SPLICE THE CONDUCTORS IN JB1 SO THAT A PARRALLEL CIRCUIT CAN BE INSTALLED TO SIMULTANEOUSLY OPERATE BOTH TRAFFIC LIGHTS. FOR THE ON-COMING TRAFFIC LIGHT, USE EXISTING CONDUITS TO INSTALL THE CIRCUITS FROM JB1 TO JB2 AND FROM JB2 VIA ON-COMING GATE ENCLOSURE TO ON-COMING TRAFFIC LIGHT. FOR THE OFF-GOING TRAFFIC SIGNAL LIGHTS, USE THE EXISTING CONDUIT TO INSTALL THE CIRCUITS FROM JB1 TO THE OFF-GOING TRAFFIC LIGHTS. REFER TO THE PWCS WIRING DIAGRAM FOR ON AND OFF CONTROL OPERATION OF THE RED AND GREEN SIGNAL LIGHTS.
E505
- E505** INSTALL THESE THREE CIRCUITS IN A COMMON CONDUIT SYSTEM FOR THE FOLLOWING: N.W. FENDER NAV LIGHTS, BRIDGE APPROACH FLOOD LIGHT AND THE TWO FLASHING NAV LIGHTS ON THE NORTH AND SOUTH OF THE BRIDGE APPROACH. ESC SHALL USE A DEDICATED NEUTRAL FOR EACH CIRCUIT SO THAT EACH CIRCUIT IS PROTECTED WITH A DEDICATED BREAKER AS INDICATED.
E506
- E506** SEE PLAN SHEET E4 FOR THE INSTALLATION OF THE NEW CIRCUITS TO THE GENSET LOADCENTER, WP RECEPTACLES ON THE ELECTRICAL RACK AND BRIDGE APPROACH, AND THE PWCS.
- E507** INSTALL NEW CIRCUIT TO THE EXISTING PHOTO CELL (PC) CONTROLLED FLOOD LIGHT LOCATED AT JB1. BASED UPON THE PROPOSED NEW LIGHTS ON P1, ESC SHALL RELOCATE THE PHOTO CONTROL (PC) FROM THE TOP OF JB1 TO NEAR THE TOP OF P1, CLOSING UP THE UNUSED OPENING OF JB1.
E508
- E508** INSTALL THE FAR SIDE PONTOON APRON DOWN LIMIT SWITCH AND ASSOCIATED MOUNTING BRACKET FOR PROPER OPERATION. THE LIMIT SWITCH SHALL BE SCHNEIDER / SQ. D. CAT NO. XCCKD2106N12, OR EQUAL WIRE IN THE SIGNAL CIRCUIT FROM THE 24 VDC POWER OF THE FAR SIDE PWCS TO THE DOWN LIMIT SWITCH INDICATED, SERIES CONNECTING THE LIMIT SWITCH CONTACT ACCORDING TO THE PWCS SCHEMATIC DIAGRAM.
E509
- E509** INSTALL THE FAR SIDE TIDAL APRON HYDRAULIC POWER UNIT CIRCUIT AS INDICATED, INCLUDING THE POWER WIRING FOR UP AND DOWN OPERATION BETWEEN THE MANUAL REVERSING STARTER AND THE HPU MOTOR.
E510
- E510** INSTALL FEEDER CIRCUIT B-14, 16, 18 FROM PANEL "B" TO NEAR SIDE PANEL "C" VIA FAR SIDE JB4 AND NEAR SIDE JB5. SEE PLAN SHEET E4 FOR JB4 INSTALLATION FOR FURTHER DETAILS INDICATED IN THE ELECTRICAL RISER DIAGRAM.
E511
- E511** SEE CONTROL HOUSE POWER PLAN FOR CIRCUIT DETAILS.
- E512** ESC SHALL INSTALL FEEDER FROM PANEL "A" VIA JB8, AROUND THE PIVOT AND ALONG THE PIVOT ARM TO JB3 AS INDICATED BY PLAN SHEET E4, NOTES E423 AND E425 OF THE ELECTRICAL RISER DIAGRAM FOR DETAILS.
E513
- E513** SEE PLAN SHEET E4, NOTE E427 OF THE ELECTRICAL ONE LINE RISER DIAGRAM FOR FEEDER BETWEEN JB3 AND PANEL "CHA" IN THE CONTROL HOUSE DETAILS.
E514
- E514** INSTALL FAR SIDE PONTOON APRON UP LIMIT SWITCH AND ASSOCIATED MOUNTING BRACKETS FOR PROPER OPERATION. WIRE THE LIMIT SWITCH IN SERIES WITH THE NEAR SIDE UP APRON LIMIT SWITCH AS INDICATED AND CONNECTION DETAILS ON THE CONTROL HOUSE CONSOLE SCHEMATIC WIRING DIAGRAM ON PLAN SHEET E9. EACH LIMIT SWITCH SHALL BE A SCHNEIDER / SQ. D. CAT # XCCKD2118N12. ESC SHALL ROUTE THE 3/4" SCH 80 PVC CONDUIT OF THE CONTROL CONDUCTORS ALONG WITH AND ON THE SAME SUPPORT AS FEEDER OF NOTE E513.
E515
- E515** INSTALL NEW JB8 ON THE BRIDGE APPROACH SO THAT THE BOTTOM OF THE JB IS AT THE SAME ELEVATION AS THE ROADWAY SURFACE OF THE BRIDGE AND IT WILL ENABLE THE TRANSITION FROM A CONDUIT AND CONDUCTORS'S SYSTEM TO A MARINE P-TYPE CABLE WIRING SYSTEM. THE MARINE CABLE SYSTEM SHALL BE ROUTED ALONG THE UNDERSIDE BRIDGE TIMBER, SIMILAR TO THE EXISTING CABLE, IN-LINE WITH THE PIVOT OF THE PONTOON BRIDGE. SEE NOTE E422 FOR MORE DETAILS
E516
- E516** ESC SHALL PROVIDE AND INSTALL THE FAR SIDE PONTOON BRIDGE SPAN NAVIGATION LIGHT ACCORDING TO THE REQUIREMENTS AND SPECIFICATIONS OF THE MANUFACTURER. THE SPAN NAVIGATION LIGHT SHALL BE MOUNTED TO THE TOP OF A 15' LIGHT POLE AS INDICATED AND THE POLE SHALL FOLDED DOWNNEAR THE BASE. THE SPAN LIGHT SHALL BE USED AS A MARINE SIGNAL LIGHT FOR MARKING STATIONARY FENDERS AND PIERS, PER COAST GUARD REQUIREMENTS. THE LAMP SHALL BE 100 W, AND RATED FOR 130V. THE SPAN LIGHT SHALL BE A "PL" PIER LIGHT OR EQUAL. SEE FIXTURE SCHEDULE ON PLAN SHEET E7 FOR DETAILS.
E517
- E517** ESC SHALL PROVIDE AND INSTALL A MINIMUM 3/4", STAINLESS STEEL (S/S) EYE-BOLT IN THE WOODEN STRUCTURE OF THE BRIDGE APPROACH AS REQUIRED AND INTERCONNECT A 3/4" S/S CROSBY SHACKLE IN THE EYE-BOLT AND KELLUM GRIP IN THE SHACKLE TO PROVIDE STRAIN RELIEF OF THE P-TYPE CABLE WHILE LEAVING ENOUGH SLACK IN THE CABLE FOR PROPER OPERATION WHEN THE BRIDGE IS OPEN TO BOAT TRAFFIC. THE KELLUM GRIP SHALL BE A HUBBELL CAT No. 02206013 OR EQUAL.
E518
- E518** ESC SHALL PROVIDE AND INSTALL A MINIMUM 3/4", STAINLESS STEEL CROSBY SHACKLE TO THE FABRICATED PAD EYE ON THE PIVOT ARM AS REQUIRED USING A KELLUM GRIP TO PROVIDE STRAIN RELIEF OFF OF THE P-TYPE CABLE WHILE LEAVING ENOUGH SLACK IN THE CABLE FOR PROPER OPERATION WHEN THE BRIDGE IS OPEN TO BOAT TRAFFIC. ESC SHALL INSTALL THE KELLUM GRIP IN ACCORDANCE WITH THE SPECIFICATIONS AND REQUIREMENTS OF THE MANUFACTURER. THE KELLUM GRIP SHALL BE A HUBBELL CAT No. 02206013 OR EQUAL. TO SUPPORT THE CABLE ALONG THE PIVOT ARM TO JB3, ESC SHALL REFER TO NOTE E425 FOR DETAILS.
E519
- E519** EXTEND NEW CIRCUIT FROM FAR SIDE RACK MOUNTED RECEPTACLE TO EXISTING WP RECEPTACLE LOCATED NEAR FAR SIDE TIDAL APRON STARTER STATION AS INDICATED. ALSO, REPLACE EXISTING RECEPTACLE COVER WITH A CLEAR WHILE-IN-USE COVER.

CADD FILE NAME: 441057 E5E6 RD.dwg

RECORD DRAWING

These compiled engineering as-built record drawings are a compilation of a copy of the original sealed engineering design drawings for this project, modified by addenda, change orders and information furnished by the contractor. The information shown on these compiled engineering as-built record drawings that was provided by the contractor or consultant is the responsibility of the contractor or consultant. The contractor or consultant is responsible for the accuracy of this information and does not relieve the contractor of responsibility for errors resulting from incorrect, incomplete or omitted data on the contractor's as-built record drawings - nor does it relieve the contractor of responsibility for non-conformance with the original contract documents. The original sealed engineering drawings are on file in the files of Providence Engineering, Inc., 13190. (Rev. 5, 2017)

PROVIDENCE/ GSE Associates, LLC
 981 Grand Collins Rd
 Houma, LA 70363
 (865) 876-8980
 2315 N Westwood
 Ste 201
 Metairie, LA 70001
 (504) 885-7171

DESIGNED BY: H.P.L.
 DRAWN BY: T.M.P.
 CHECKED BY: H.P.L.

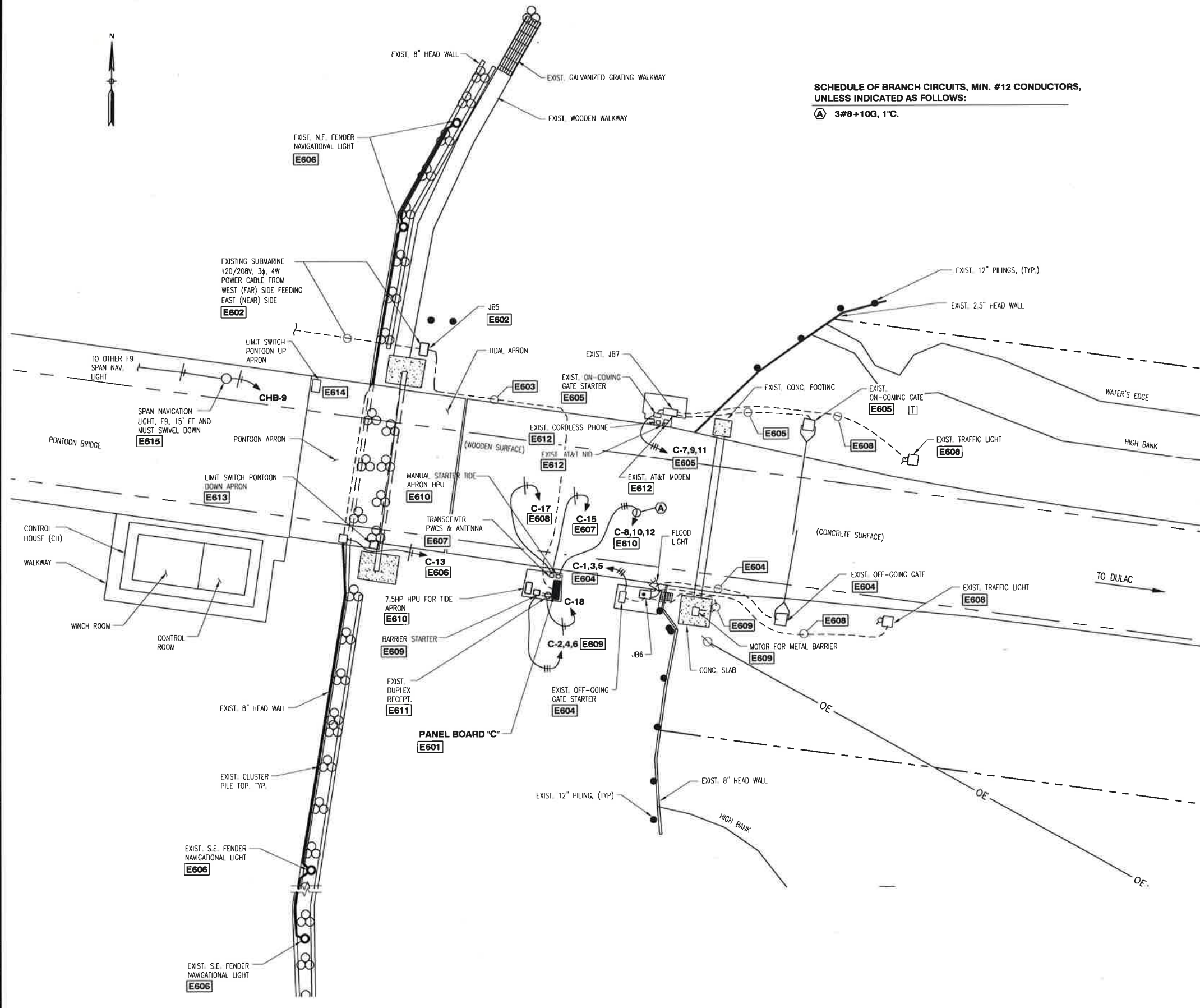
DATE: SEPT. 16, 2014
 SCALE: AS SHOWN
 PLOT SCALE: 1:1
 JOB NO. 441-057-GSE

PARISH PROJECT NO. 12-CDBG-32
 FALGOUT CANAL PONTOON BRIDGE REPLACEMENT
 PARTIAL ELECTRICAL SITE PLAN (FAR SIDE)

OWNER: Terrebonne Parish Consolidated Government
 Terrebonne Parish, Louisiana

SHEET NO. **E5**
 5 OF 13

K:\Terrebonne\44.1\1\1\TPCG\441057GSE Falapout Pontoon Bridge\441057 E5EG RD.dwg, Eg. 1/5/2017 11:18:48 AM, 1:2, Todd



SCHEDULE OF BRANCH CIRCUITS, MIN. #12 CONDUCTORS, UNLESS INDICATED AS FOLLOWS:
(A) 3#8+10G, 1" C.

NOTES:

- E601** ESC SHALL REFER TO PLAN SHEET E3, NOTE E303 AND INSTALL NEW BACK PANEL AND OPEN PANEL BOARD INSIDE THIS EXISTING ENCLOSURE ACCORDING TO THE PANEL BOARD SCHEDULE "C". IN ADDITION, INSTALL A NEW TERMINAL STRIP (TS3) WITH 60 AMP TERMINALS TO ACCOMMODATE AS MANY TERMINALS AS THE EXISTING, INCLUDING 20 % ADDITIONAL SPARE TERMINALS. AFTER ALL CIRCUITS ARE INSTALLED, ESC SHALL SEAL UP ALL UNUSED OPENING OF THE ENCLOSURE.
- E602** UPON REVIEW OF NOTES E301, E409, AND E410 AND THE SUCCESSFUL PERFORMANCE OF THE MEGGER TESTING OF THE CABLE, ESC SHALL FABRICATE A NEW HDG METAL BRACKET WITH A PAD-EYE THAT CAN BE WELDED TO THE EXISTING FRAME OF THE WALKWAY AS REQUIRED, CLEANING AND APPLYING THREE COATS OF GALVANIZE SPRAY PAINT TO PROTECT THE WALKWAY WELDING. USING THIS BRACKET AS A SUPPORT, INSTALL A SS SHACKLE IN THE PAD-EYE AND INSTALL A WIRE MESS STAINLESS STEEL STRAIN RELIEF CONNECTOR (KELLUM GRIP) IN THE SHACKLE AND THE SUBMARINE CABLE IN THE KELLUM GRIP TO HOLD CABLE STRAIN OFF OF JB FITTING TERMINATION. ESC SHALL REPLACE THE EXISTING CABLE CGB WITH A SPECIALIZED CGB HEAT-SHRINKABLE CABLE ENTRY SEAL BY RAYCHEM (TYCO ELECTRONICS PART NO. CES SIZED TO ACCOMMODATE THE SUBMARINE CABLE O.D., OR APPROVED EQUAL) ACCORDING TO MANUFACTURERS INSTRUCTIONS.
- E603** INSTALL THIS SECTION OF THE CIRCUIT (JB5 TO Pnl "C") ACCORDING TO PLAN SHEET E4, NOTE E412.
- E604** INSTALL THE OFF-GOING GATE CIRCUIT AS INDICATED IN EXISTING REFRUBISHED CONDUIT FROM PANEL "C" VIA THE TERMINAL STRIP IN PANEL C (TSC) AND THE OFF-GOING GATE STARTER AND JB6 TO THE GATE MOTOR OPERATOR. INCLUDE WITH THESE CIRCUIT CONDUCTORS TO THE STARTER THE THREE (3) #14 AWG CONTROL CONDUCTORS INDICATED IN THE PWCS WIRING DIAGRAM THAT ARE ASSOCIATED WITH THE UP/DOWN OPERATION OF THE GATE.
- E605** INSTALL THE ON-COMING GATE CIRCUIT AS INDICATED IN EXISTING REFRUBISHED CONDUIT FROM PANEL "C" VIA THE TSC, GATE STARTER AND JB7 TO THE TRAFFIC LIGHT MOTOR OPERATOR. ESC SHALL INCLUDE WITH THESE CIRCUIT CONDUCTORS TO THE STARTER, THE THREE (3) #14 AWG CONTROL CONDUCTORS INDICATED IN THE NEAR SIDE PWCS WIRING DIAGRAM THAT ARE ASSOCIATED WITH THE UP/DOWN OPERATION OF THE GATE.
- E606** INSTALL FENDER NAV LIGHTS' (4) CIRCUIT WIRING AS INDICATED IN EXISTING REFRUBISHED CONDUIT AS REQUIRED, ADDING ONE (1) CONDUIT EXPANSION FITTING FOR EACH 100' OR LESS OF CONDUIT RUN BETWEEN LIGHTS AND / OR BOXES.
- E607** ONCE THE PHOENIX WIRELESS CONTACT SYSTEM (PWCS) HAS BEEN MODIFIED FOR THE NEW PLAN AS INDICATED BY THE DETAILED WIRING DIAGRAM, ESC SHALL INSTALL THE PHOENIX UNIT IN THE SAME LOCATION AS INDICATED AND INSTALL THE DEDICATED C-15 CIRCUIT OF PANEL "C" USING #12 AWG CONDUCTORS AND 3/4" CONDUIT.
- E608** INSTALL THE RED AND GREEN TRAFFIC LIGHT CIRCUIT AS INDICATED IN EXISTING REFRUBISHED CONDUIT FROM PANEL "C" VIA PWCS TO JB6 AND JB7 USE EXISTING CONDUITS FROM BOTH TRAFFIC SIGNAL LIGHTS. USE THE EXISTING CONDUIT FROM JB7 TO THE NORTH SIDE TRAFFIC LIGHTS AND THE EXISTING CONDUIT BETWEEN JB6 TO SOUTH SIDE TRAFFIC LIGHTS. REFER TO THE PWCS WIRING DIAGRAM FOR ON AND OFF CONTROL OPERATION OF THE RED AND GREEN SIGNAL LIGHTS.
- E609** INSTALL THE BARRIER MOTOR CIRCUIT (C-2, 4, 6) AS INDICATED IN THE EXISTING REFRUBISHED CONDUIT FROM PANEL "C" TO THE BARRIER MOTOR VIA THE STARTER, TSC AND JB6, USING THE EXISTING CONDUITS. INCLUDE, AS REQUIRED, THE ADDITIONAL THREE (3) #14 AWG CONTROL CIRCUIT CONDUCTORS TO THE STARTER INDICATED IN THE NEAR SIDE PWCS WIRING DIAGRAM THAT ARE ASSOCIATED WITH THE UP/DOWN OPERATION OF THE BARRIER.
- E610** INSTALL THE TIDE APRON HYDRAULIC POWER UNIT CIRCUIT (C-8, 10, 12) AS INDICATED IN EXISTING CONDUIT, REPAIRING ANY DAMAGED OR CORRODED SECTIONS AS REQUIRED. INSTALL THE ADDITIONAL THREE (3) #14 UP AND DOWN CONTROL WIRING BETWEEN THE STARTER AND PWCS ACCORDING TO THE SCHEMATIC WIRING DIAGRAM.
- E611** INSTALL NEW WP-GFI RECEPTACLE ADJACENT TO PANEL "C" SECURING IT TO THE WOODEN HAND RAIL AS REQUIRED.
- E612** THE EXISTING CORDLESS PHONE MASTER STATION, AT&T NID, AND THE AT&T MODEM SHALL REMAIN IN SERVICE FOR THE OPERATION OF THE CORDLESS PHONE SYSTEM IN THE NEW PLAN. THE CORDLESS PHONE SHALL BE REUSED AS SALVAGABLE MATERIAL AND REUSED AS INDICATED ON PLAN SHEET E7.
- E613** ESC SHALL INSTALL A PONTOON APRON DOWN LIMIT SWITCH AS INDICATED ON THIS SHEET, WIRING THE CONTROL CIRCUIT FROM THE PWCS AS INDICATED ON THE CONTROL WIRING SCHEMATIC. ESC SHALL FIELD INSTALL THE LIMIT SWITCH AND ASSOCIATED MOUNTING BRACKET FOR PROPER OPERATION OF THE LIMIT SWITCH. THE LIMIT SWITCH SHALL BE A SCHNEIDER / SQ. D. CAT NO. XCKD2106N12, OR EQUAL.
- E614** ESC SHALL INSTALL A PONTOON APRON UP LIMIT SWITCH AS INDICATED ON THIS SHEET, WIRING THE CONTROL CIRCUIT FROM THE PWCS AS INDICATED ON THE CONTROL WIRING SCHEMATIC ON PLAN SHEET E9. THE LIMIT SWITCH SHALL BE CAT NO. SCHNEIDER / SQ. D. CAT # XCKD2118N12, OR EQUAL.
- E615** ESC SHALL PROVIDE AND INSTALL THE PONTOON BRIDGE SPAN NAVIGATION LIGHT (F9) AND ASSOCIATED CIRCUIT (CHB-9) ACCORDING TO THE REQUIREMENTS AND SPECIFICATIONS OF THE MANUFACTURER. THE SPAN NAVIGATION LIGHT SHALL BE MOUNTED TO THE TOP OF A 15' LIGHT POLE AS INDICATED. THE SPAN LIGHT SHALL BE USED AS A MARINE SIGNAL LIGHT FOR MARKING STATIONARY FENDERS AND PIERS, PER COAST GUARD REQUIREMENTS. THE LAMP SHALL BE 100W, RATED FOR 130V. THE SPAN LIGHT SHALL BE A PL PIER LIGHT OR EQUAL. SEE FIXTURE SCHEDULE ON PLAN SHEET E7 FOR DETAILS.

PARTIAL ELECTRICAL SITE PLAN (NEAR SIDE)

Scale: 1"=10'-0"

CADD FILE NAME:
441057 E5EG RD.dwg

RECORD DRAWING

These completed engineering drawings shall be used for construction purposes only. They are not to be used for any other purpose without the written consent of the engineer. The engineer shall not be responsible for any errors or omissions in these drawings. The contractor shall be responsible for verifying the accuracy of the information shown on these drawings and for obtaining all necessary permits and approvals. The contractor shall be responsible for obtaining all necessary information and data for the construction of the project. The contractor shall be responsible for obtaining all necessary information and data for the construction of the project. The contractor shall be responsible for obtaining all necessary information and data for the construction of the project.

PROVIDENCE/ GSE Associates, LLC
 801 Canal Center, Re
 Room 1, LA 70303
 (985) 676-8360
 2315 N Woodson
 Av. #201
 Metairie, LA 70001
 (504) 454-1710

DATE:	SEPT. 16, 2014
SCALE:	AS SHOWN
PLOT SCALE:	1:1
DESIGNED BY:	H.P.L.
DRAWN BY:	T.M.P.
CHECKED BY:	H.P.L.
JOB NO.:	441-057-GSE

**PARISH PROJECT NO. 12-CDBG-32
 FALGOUT CANAL PONTOON BRIDGE REPLACEMENT
 PARTIAL ELECTRICAL SITE PLAN (NEAR SIDE)**

OWNER: Terrebonne Parish Consolidated Government
 Terrebonne Parish, Louisiana

SHEET NO. **E6**
 6 OF 13

K:\Terrebonne\441\1\1\TPCG\441057G5E Falgout Pontoon Bridge\441057 E7 RD.dwg, E7, 1/19/2017 1: 2:08 PM, 1:2, Todd

CADD FILE NAME:
441057 E7 RD.dwg

RECORD DRAWING
These completed engineering as-built record drawings are a compilation of the original record drawings for this project, modified by addenda, change orders and information furnished by the contractor. The information shown on these drawings is the responsibility of the contractor. The contractor shall be responsible for the accuracy and completeness of the information shown on these drawings. No liability shall be assumed by the engineer for errors or omissions in these drawings, nor does it relieve the contractor of responsibility for non-conformance with the drawings. The professional engineer's seal is in the office of Providence Engineering and Design, LLC, the professional engineer was Harold P. Leffroy with License Number 13190, (Jan. 5, 2017)

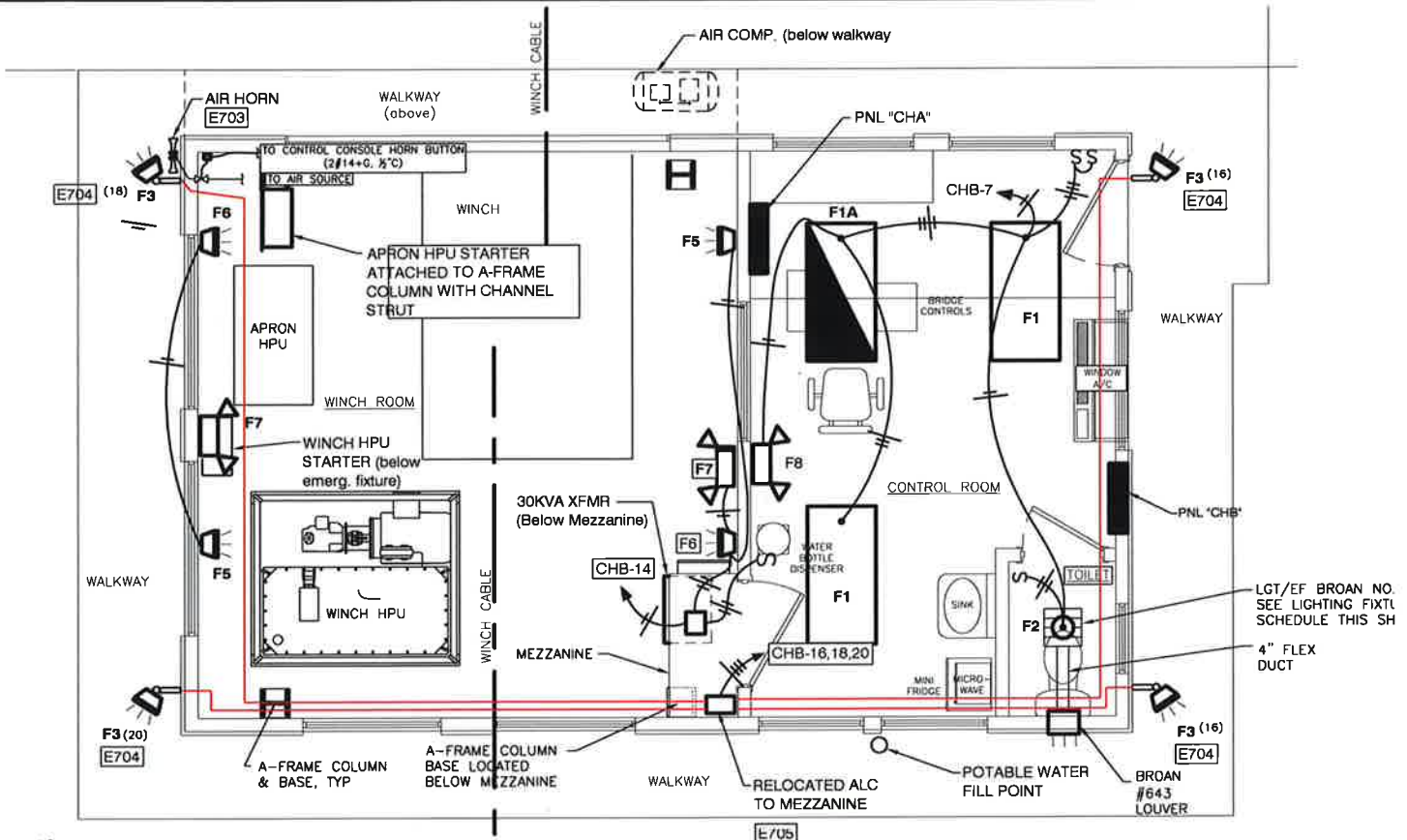
PROVIDENCE/ GSE Associates, LLC
1301 Main St
Baton Rouge, LA 70802
(855) 876-6980
788-7400
2315 N. Roselleman
Baton Rouge, LA 70801
MIDWEST
ENGINEERS • ARCHITECTS • PLANNERS • SURVEYORS

DATE: MAR. 9, 2015
SCALE: AS SHOWN
PLOT SCALE: 1:1
JOB NO. 441-057-GSE

DESIGNED BY: H.P.L.
DRAWN BY: T.M.P.
CHECKED BY: H.P.L.

PARISH PROJECT NO. 12-CDBG-32
FALGOUT CANAL PONTOON BRIDGE REPLACEMENT
CONTROL HOUSE - LIGHTING AND POWER PLANS
OWNER: Terrebonne Parish Consolidated Government
Terrebonne Parish, Louisiana

SHEET NO. **E7**
7 of 13



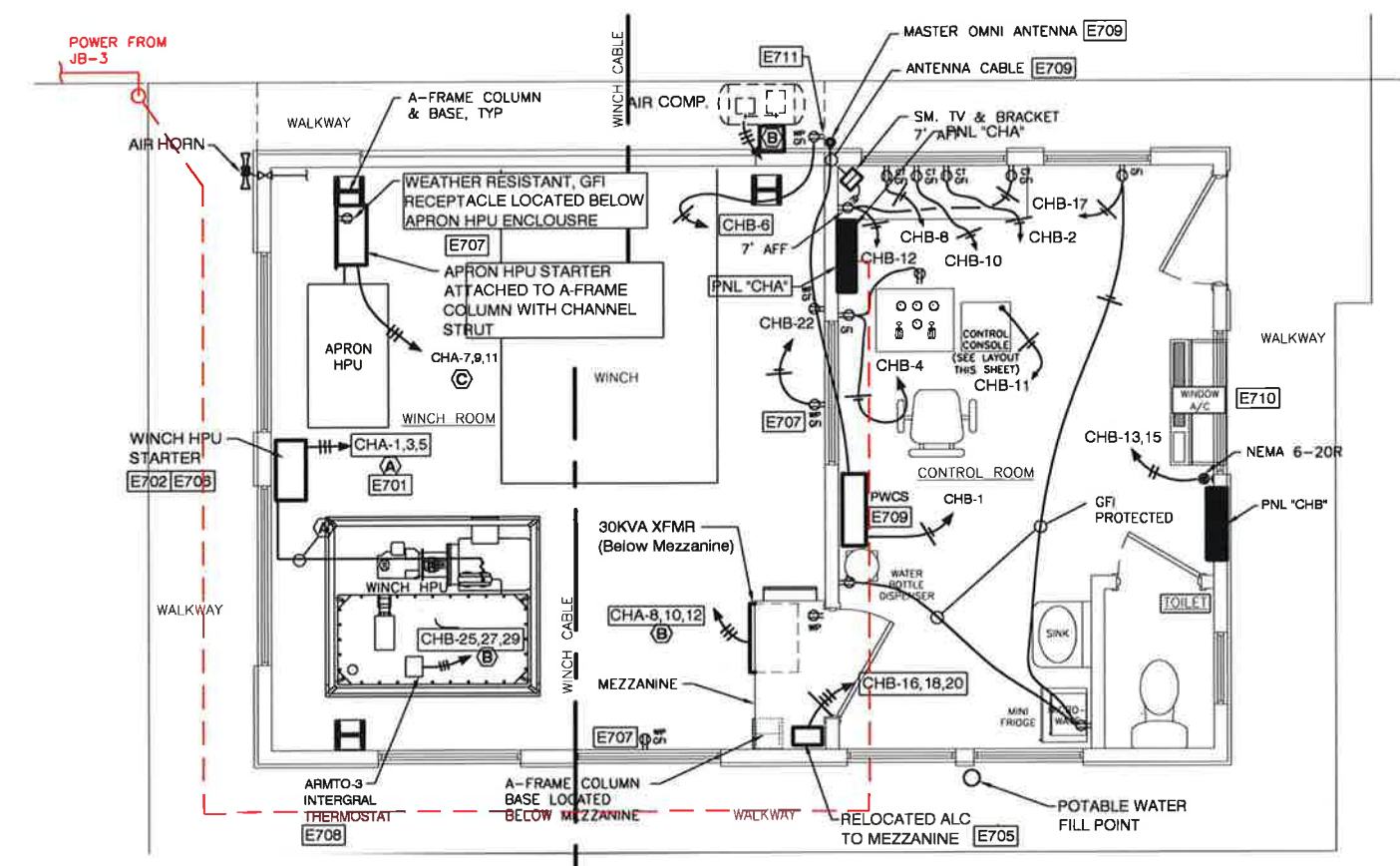
CONTROL HOUSE - LIGHTING PLAN
3/8" = 1'-0"

- NOTES:**
- E701** INSTALL A NEW 75 HP CRVSS STARTER USING SHALLOW C-STRUT SECURED TO WALL GIRTHS. ROUTE BRANCH FEEDER TO STARTER AND FROM STARTER TO WINCH HYDRAULIC POWER UNIT (HPU) EXPOSED ON THE CEILING AND WALL STRUCTURAL MEMBERS. SEE ONE LINE RISER DIAGRAM AND SOFT STARTER SCHEMATIC (HPU) FOR FURTHER DETAILS, INCLUDING CONTROL WIRING.
 - E702** INSTALL THE ENCLOSURE OF THE TWO NEW 7.5 HP CFVNR STARTERS AT THE MEZZANINE LEVEL SECURING IT TO SHALLOW C-STRUT SECURED TO THE WALL GIRTHS. ROUTE BRANCH FEEDER (CHA-7, 9, 11) TO THE ENCLOSURE AND FROM THE 120 VOLT CONTROL CIRCUIT OF THE TWO STARTERS POWER UNIT (HPU) EXTEND THE CONTROL CIRCUIT TO THE PONTOON APRON SELECTOR SWITCH IN THE CONTROL CONSOLE AND THE SOLENOIDS OF THE PONTOON HPU AS INDICATED IN THE SCHEMATIC DIAGRAM.
 - E703** ESC SHALL INSTALL TWO AIR HORNS FACING 180° APART AND ASSOCIATED CONTROL VALVE AND 120 VOLT CIRCUIT AS INDICATED. MODIFY AND INSTALL ACCORDING TO THE REQUIREMENTS AND SPECIFICATIONS OF THE MANUFACTURER. THE AIR HORNS SHALL BE A GRAINGER HIGH TONE AIR HORN, ITEM No. 3FHV8 OR EQUAL. THE SOLENOID AIR CONTROL VALVE SHALL BE A NORMALLY CLOSED, STAINLESS STEEL CONTROL VALVE RATED FOR 100PSI WITH A 120VAC COIL. THE AIR CONTROL VALVE SHALL BE A GRAINGER ITEM NUMBER 6WTR3, OR EQUAL. SEE MECHANICAL DRAWING M5 FOR PHNEMATIC PIPING DETAILS.
 - E704** ESC SHALL INSTALL FIXTURE F3 WITH A KNUCKLE/SLOPPFIT MOUNT AND ASSOCIATED BULL HORN BRACKET AS REQUIRED ACCORDING TO MANUFACTURER'S INSTALLATION INSTRUCTIONS.
 - E705** SEE AUTOMATIC LIGHTING CONTACTOR DETAIL AS INDICATED ON PLAN SHEET E12 AND INSTALL CONTROL CIRCUIT TO THE CONSOLE AS INDICATED.
 - E706** INSTALL APRON HPU CONTROLLER ON C-STRUT AS REQUIRED. SEE PLAN SHEET FOR APRON HPU CONTROLLER SCHEMATIC WIRING DIAGRAM FOR POWER AND CONTROL DETAILS.
 - E707** ESC SHALL INSTALL WP-GFI RECEPTACLES WITH A WHILE-IN-USE COVER AT A MINIMUM 30" AFF OF THE WINCH ROOM AND THEIR ASSOCIATED CIRCUIT (CHB-22) AS INDICATED. SEE WHILE-IN-USE COVER DETAIL ON PLAN SHEET E11.
 - E708** MSC SHALL INSTALL AN INTEGRAL THERMOSTAT (DPST) WITH A MOISTURE RESISTANT / EXPLOSION RESISTANT TERMINAL ENCLOSURE AND 3KW, 3-PHASE HEATING ELEMENT. THE INTEGRAL THERMOSTAT SHALL BE AN IMMERSION ARMT0-3 MODEL NO. ARMT0-3305E2T1. THE ESC SHALL HARDWIRE THE INTEGRAL THERMOSTAT IN THE FIELD USING LFMC TO ENTER THE ENCLOSURE ACCORDING TO THE SPECIFICATIONS AND REQUIREMENTS OF THE MANUFACTURER USING THE PROPER BRANCH CIRCUIT AS INDICATED.

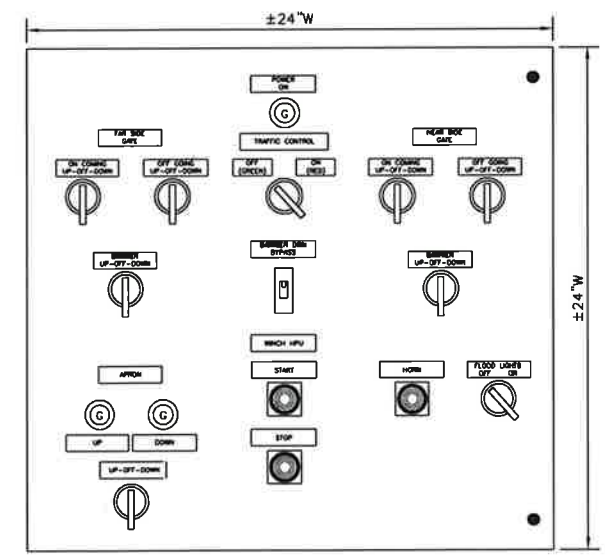
- E709** ESC SHALL PROVIDE AND INSTALL THE MASTER PHOENIX WIRELESS CONTACT SYSTEM (PWCS) CONTROLLER AND ASSOCIATED ANTENNA CABLE AND ANTENNA EXTENDING THE CABLE FROM THE PWCS TO THE MASTER OMNI ANTENNA USING CONDUIT EXPOSED IN THE BUILDING AND INTO THE ACCESSIBLE CEILING. ABOVE THE CEILING APPROPRIATE CABLE MANAGEMENT SUPPORTS MAY BE USED, BUT CONDUIT SHALL BE USED FOR ANY EXPOSED SECTIONS. ESC SHALL INSTALL THE MASTER OMNI ANTENNA ON THE FASCIA OF THE BUILDING EVE AS REQUIRED.
- E710** ESC SHALL INSTALL A WINDOW A/C UNIT IN THE CONTROL HOUSE AS INDICATED ACCORDING TO THE SPECIFICATIONS AND REQUIREMENTS OF THE MANUFACTURER. THE WINDOW A/C UNIT SHALL BE A FRIEDRICH ES12N-3 OR EQUAL. THE UNIT SHALL BE RATED FOR 208V, 1 PHASE OPERATION.
- E711** INSTALL A WP RECEPTACLE AND DEDICATED CIRCUIT FOR THE AIR COMPRESSOR BELOW THE MEZZANINE AT 30" AFF AS INDICATED.
- E712** INSTALL COMPONENTS OF THE CONTROL CONSOLE LAYOUT IN THE EXTERIOR COVER OF THE NEMA 4 ENCLOSURE (SAGINAW SCE-24EL2408LP) WITH SUB-PANEL SCE-24P24, MOUNTING THE REQUIRED REALYS AND FUSE HOLDER ON THE BACK PANEL OF ENCLOSURE. SEE DETAILS OF CONSOLE STAND ON MECHANICAL DRAWING M5.

ABBREVIATION LEGEND:
MSD = MAIN SERVICE DISCONNECT
ATS = AUTOMATIC TRANSFER SWITCH
SPD = SURGE PROTECTIVE DEVICE
ALC = AUTOMATIC LIGHTING CONTACTOR
PWCS = PHOENIX WIRELESS CONTACT SYSTEM
CRVSS = COMBINATION REDUCED VOLTAGE SOFT STARTER

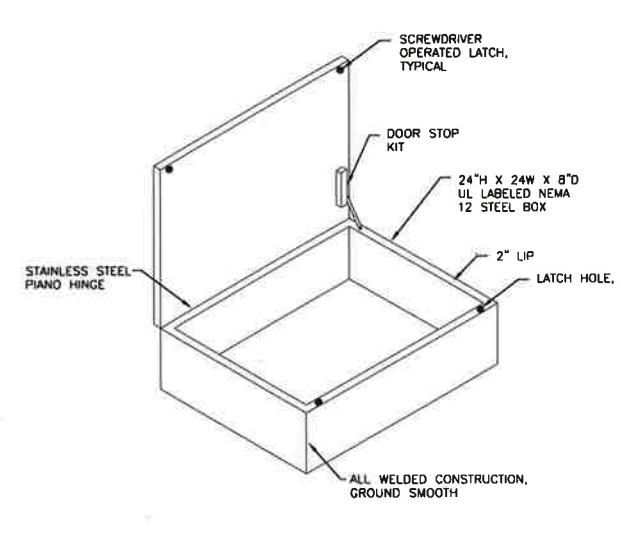
SCHEDULE OF BRANCH CIRCUITS, MIN. #12 CONDUCTORS, UNLESS INDICATED AS FOLLOWS:
(A) 3-1/0+6G, 1 1/2" AL
(B) 3#8+8G, 3/4" AL
(C) 3#10+10G, 3/4" AL



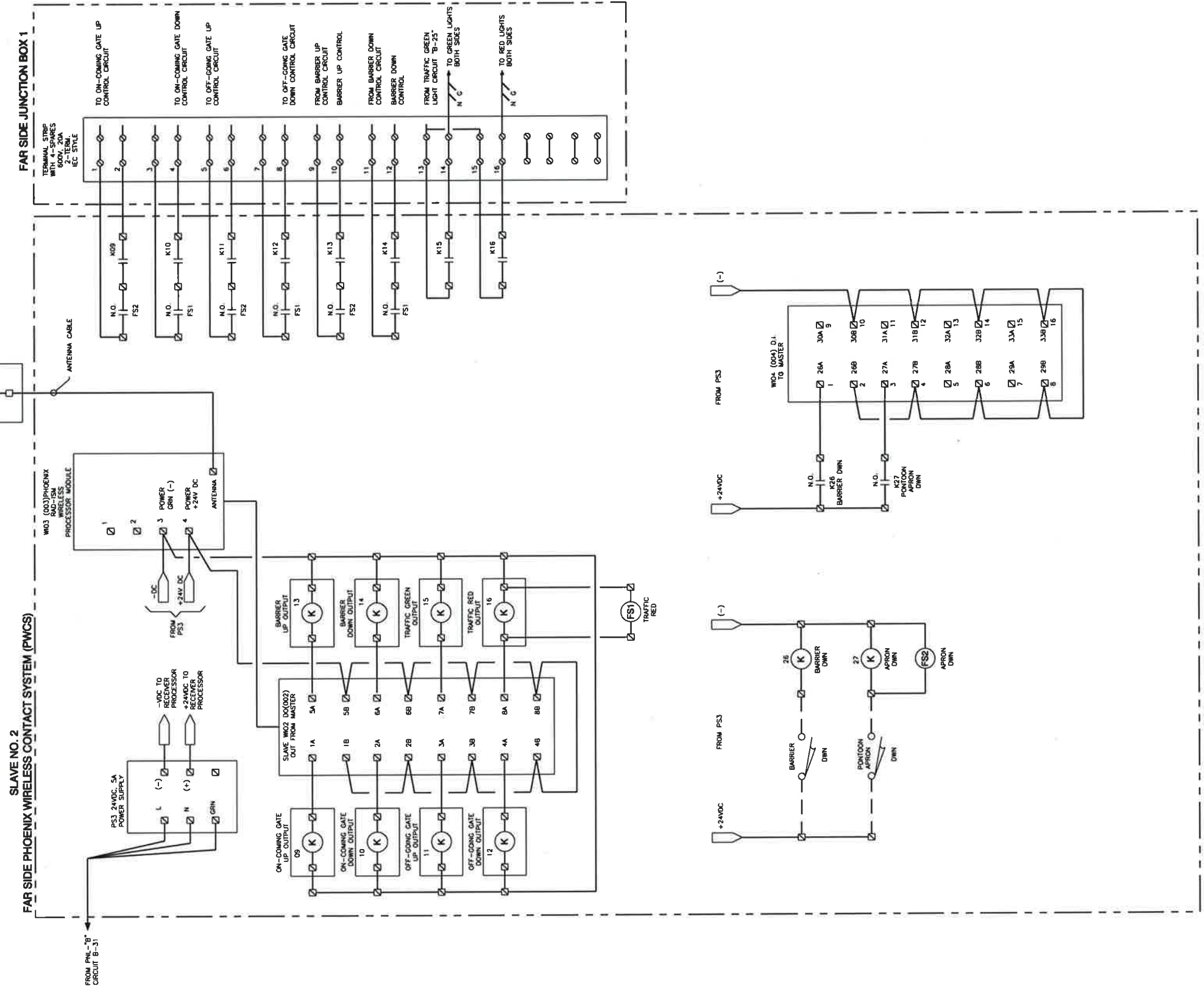
CONTROL HOUSE - POWER PLAN
3/8" = 1'-0"



CONTROL CONSOLE LAYOUT
NOT TO SCALE
E712



CONTROL CONSOLE ENCLOSURE
NOT TO SCALE
E712



LEGEND:

- - TERMINAL IN CONTROL HOUSE CONSOLE PANEL
- - TERMINAL IN CONTROL HOUSE PHOENIX WIRELESS CONTACT SYSTEM (PWCS)
- - TERMINAL IN MODIFIED NEAR SIDE (EAST) PHOENIX WIRELESS CONTACT SYSTEM (PWCS)
- ◻ - TERMINAL IN MODIFIED FAR SIDE (WEST) PHOENIX WIRELESS CONTACT SYSTEM (PWCS)

PARISH PROJECT NO. 12-CDBG-32
FALGOUT CANAL PONTOON BRIDGE REPLACEMENT
 ELECTRICAL LADDER DIAGRAM- FAR SIDE

OWNER: Terrebonne Parish Consolidated Government
 Terrebonne Parish, Louisiana

DESIGNED BY: H.P.L.
 DRAWN BY: T.M.P.
 CHECKED BY: H.P.L.

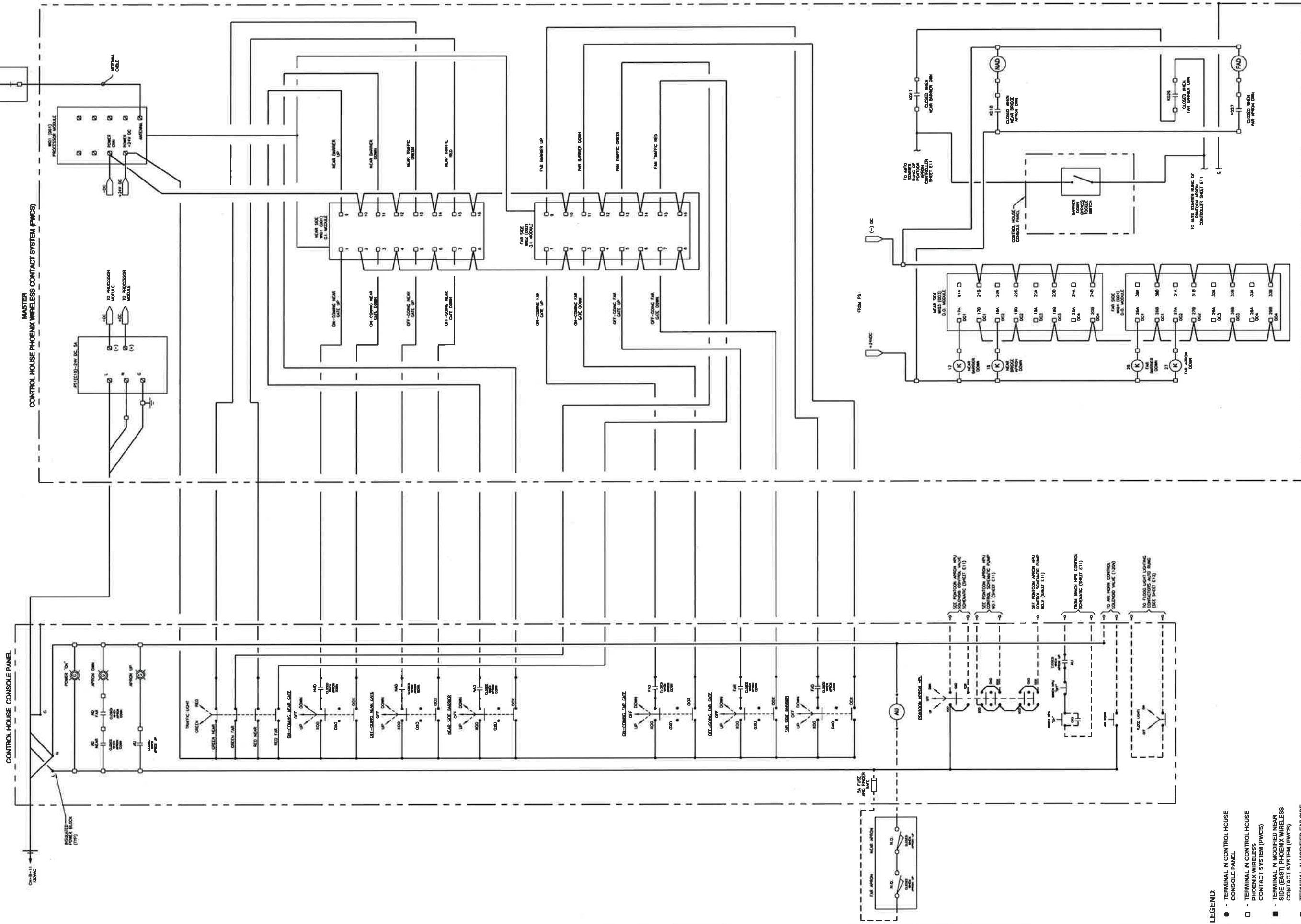
DATE: SEPT. 16, 2014
 SCALE: AS SHOWN
 PLOT SCALE: 1:1
 JOB NO. 441-057-GSE

PROVIDENCE/ GSE Associates, LLC
 801 Greyside Court
 Baton Rouge, LA 70802 (225) 767-7105
 2315 N. Westbank
 Metairie, LA 70001 (504) 885-6360

ENGINEERS • ARCHITECTS • PLANNERS • SURVEYORS

RECORD DRAWING

These completed engineering as-built record drawings are a compilation of a copy of the original sealed engineering design drawings for this project, modified by addenda, change orders and information furnished by the contractor. The information shown on these completed engineering as-built record drawings that was provided by the contractor or subcontractor is shown as such. The contractor is responsible for the accuracy of the compilation of this information. The contractor does not relieve the contractor of responsibility for errors resulting to incorrect, incomplete or omitted data on the contractor's as-built record drawings - nor does it relieve the contractor of responsibility for non-conformance with the original contract documents. The original sealed engineering drawings are on file in the office of the Professional Engineer, Harold P. LeRoy, License Number 13190, (Jan. 5, 2017).



RECORD DRAWING
 These compiled engineering as-built record drawings are a compilation of a copy of the original sealed engineering design drawings for this project, modified by addenda, change orders and information furnished by the contractor. The information shown on these compiled engineering as-built record drawings is intended to be used by the contractor or other parties for informational purposes only. It is not intended to be used for construction or for any other purpose. The contractor is responsible for the accuracy and completeness of the information shown on these drawings. The contractor's responsibility for errors, omissions, or incomplete or omitted data on the contractor's as-built record drawings - nor does it relieve the contractor of responsibility for non-compliance with the original contract documents. The original drawings are on file in the office of Providence/GSE Associates, Inc. at 2315 N. Westwood, Metairie, LA 70001. The original drawings are on file in the office of Providence/GSE Associates, Inc. at 2315 N. Westwood, Metairie, LA 70001. The professional engineer was Harold P. LeRoy with License Number 13190, (Jan. 5, 2017).

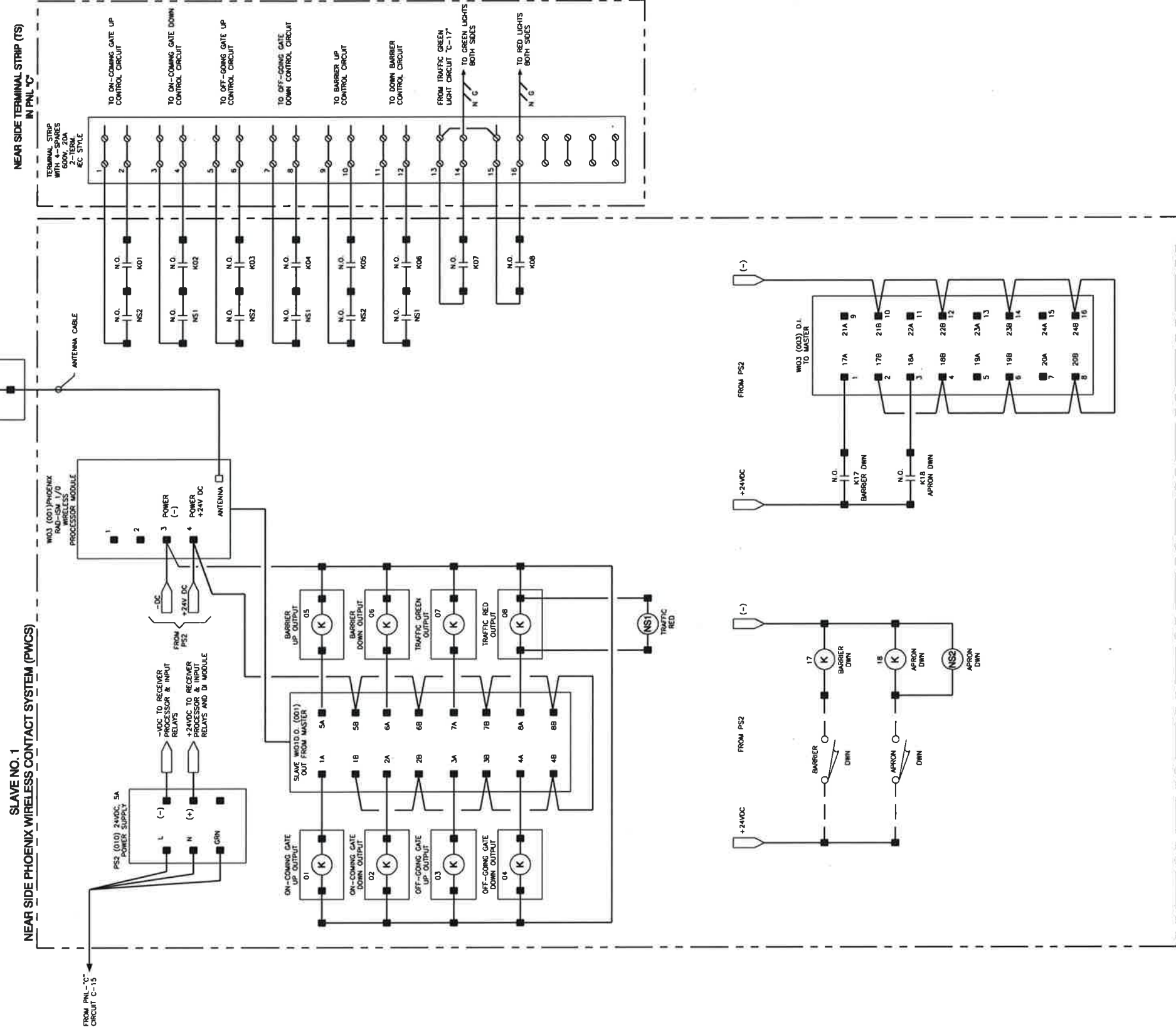
PROVIDENCE/ GSE Associates, LLC
 901 Grand Calou Rd
 Metairie, LA 70003
 (855) 876-5380
 2315 N Westwood
 Metairie, LA 70001
 516 201
 ENGINEERS • ARCHITECTS • PLANNERS • SURVEYORS

DATE: SEPT. 16, 2014
 SCALE: AS SHOWN
 PLOT SCALE: 1:1
 JOB NO. 441-057-GSE

DESIGNED BY: H.P.L.
 DRAWN BY: T.M.P.
 CHECKED BY: H.P.L.

**PARISH PROJECT NO. 12-CDBG-32
 FALGOUT CANAL PONTOON BRIDGE REPLACEMENT
 ELECTRICAL LADDER DIAGRAM- CONTROL HOUSE**

OWNER: Terrebonne Parish Consolidated Government
 Terrebonne Parish, Louisiana



LEGEND:

- TERMINAL IN CONTROL HOUSE CONSOLE PANEL
- TERMINAL IN CONTROL HOUSE PHOENIX WIRELESS CONTACT SYSTEM (PWCS)
- TERMINAL IN MODIFIED NEAR SIDE (EAST) PHOENIX WIRELESS CONTACT SYSTEM (PWCS)
- ◻ TERMINAL IN MODIFIED FAR SIDE (WEST) PHOENIX WIRELESS CONTACT SYSTEM (PWCS)

SHEET NO.

E10

10 of 13

JOB: PARISH PROJECT NO. 12-CDBG-32
FALGOUT CANAL PONTOON BRIDGE REPLACEMENT
ELECTRICAL LADDER DIAGRAM- NEAR SIDE

OWNER: Terrebonne Parish Consolidated Government
Terrebonne Parish, Louisiana

DESIGNED BY: H.P.L.
DRAWN BY: T.M.P.
CHECKED BY: H.P.L.

DATE: SEPT. 16, 2014
SCALE: AS SHOWN
PLOT SCALE: 1:1
JOB NO. 441-057-GSE

PROVIDENCE/
GSE Associates, LLC
891 Grand Calais Rd
Houma, LA 70363
(845) 816-6360
2315 N Westlake
Maurice, LA 70001
ENGINEERS • ARCHITECTS • PLANNERS • SURVEYORS

CADD FILE NAME:
441057 E8thruE13 RD.dwg

RECORD DRAWING

These completed engineering as-built record drawings are a compilation of a copy of the original sealed engineering design drawings for this project, modified by addenda, change orders and information furnished by the contractor. The information shown on these completed engineering as-built record drawings that was provided by the contractor or other parties is not the responsibility of the engineer. The engineer's responsibility for errors resultant to incorrect, incomplete or omitted data on the contractor's as-built record drawings - nor does it relieve the contractor of responsibility for non-conformance with the original contract documents. The original sealed engineering drawings are on file in the office of the engineer at the address above. Harold P. Leffoy, Professional Engineer No. 13190, (Jan. 5, 2017)

K:\Terrebonne\441X1\1\TPCG441057GSE Falgout Pontoon Bridge\441057 E8thruE13 RD.dwg, E:3, 1/5/2017 1:41:11 PM, I:2, Todd

PANEL SCHEDULE

PANEL: "A" (FAR SIDE)
 LOCATION: FAR SIDE ELECTRICAL RACK (WEST BANK)
 VOLTAGE: 277 / 480 V, 3PH, 4W, WYE
 MAIN: 200 AMP

ENCLOSURE: NEMA1 LOCKABLE COVER
 FEED: TOP
 BRANCHES: BOLT-ON, PANELBOARD CONSTR.
 STAB-IN, LOAD CENTER CONSTR.
 FUSIBLE SWITCHES W/CLASS R FUSE REL. CLIPS.
 FURNISH ALL FUSES, CLASS RK5, 200,000 AIC
 PANEL HAS FRONT ACCESS ONLY
 ALL COPPER BUSING
 FURNISH GROUND BAR KIT
 SERVICE ENTRANCE LABEL
 PANEL NAMEPLATE, 2" X 4" ENGRAVED PLASTIC LAMINATE:
 ON LINE 1, USE 1/2" LETTERING FOR PANEL NAME, ON LINES 2 & 3,
 USE 1/8" LETTERING FOR VOLTS, AMPS, WHERE FED FROM,
 & ON LINE 4, MO./YR. INSTALLED
 BLACK FIELD, WHITE LETTERS
 RED FIELD, WHITE LETTERS

CKT. No.	# OF TRIP POLES	TRIP AMPS	LOAD DESCRIPTION	VOLT-AMPS			TRIP AMPS	# OF POLES	CKT. No.
				A	B	C			
1	3	200	PONTOON PUMP "A"	30723			20	3	2
2	3	200	PONTOON PUMP "B"	30723			20	3	2
3	3	200	PONTOON PUMP "C"	30723			20	3	2
4	3	200	SPACE						
5	3	200	SPACE						
6	3	200	SPACE						
7	3	200	SPACE						
8	3	200	SPACE						
9	3	200	SPACE						
10	3	200	SPACE						
11	3	200	SPACE						
12	3	200	SPACE						
13	3	200	SPACE						
14	3	200	SPACE						
15	3	200	SPACE						
16	3	200	SPACE						
17	3	200	SPACE						
18	3	200	SPACE						
19	3	200	SPACE						
20	3	200	SPACE						
21	3	200	SPACE						
22	3	200	SPACE						
23	3	200	SPACE						
24	3	200	SPACE						
25	3	200	SPACE						
26	3	200	SPACE						
27	3	200	SPACE						
28	3	200	SPACE						
29	3	200	SPACE						
30	3	200	SPACE						
31	3	200	SPACE						
32	3	200	SPACE						
33	3	200	SPACE						
34	3	200	SPACE						
35	3	200	SPACE						
36	3	200	SPACE						
37	3	200	SPACE						
38	3	200	SPACE						
39	3	200	SPACE						
40	3	200	SPACE						
41	3	200	SPACE						
42	3	200	SPACE						
43	3	200	SPACE						
44	3	200	SPACE						
45	3	200	SPACE						
46	3	200	SPACE						
47	3	200	SPACE						
48	3	200	SPACE						
49	3	200	SPACE						
50	3	200	SPACE						
51	3	200	SPACE						
52	3	200	SPACE						
53	3	200	SPACE						
54	3	200	SPACE						
55	3	200	SPACE						
56	3	200	SPACE						
57	3	200	SPACE						
58	3	200	SPACE						
59	3	200	SPACE						
60	3	200	SPACE						
61	3	200	SPACE						
62	3	200	SPACE						
63	3	200	SPACE						
64	3	200	SPACE						
65	3	200	SPACE						
66	3	200	SPACE						
67	3	200	SPACE						
68	3	200	SPACE						
69	3	200	SPACE						
70	3	200	SPACE						
71	3	200	SPACE						
72	3	200	SPACE						
73	3	200	SPACE						
74	3	200	SPACE						
75	3	200	SPACE						
76	3	200	SPACE						
77	3	200	SPACE						
78	3	200	SPACE						
79	3	200	SPACE						
80	3	200	SPACE						
81	3	200	SPACE						
82	3	200	SPACE						
83	3	200	SPACE						
84	3	200	SPACE						
85	3	200	SPACE						
86	3	200	SPACE						
87	3	200	SPACE						
88	3	200	SPACE						
89	3	200	SPACE						
90	3	200	SPACE						
91	3	200	SPACE						
92	3	200	SPACE						
93	3	200	SPACE						
94	3	200	SPACE						
95	3	200	SPACE						
96	3	200	SPACE						
97	3	200	SPACE						
98	3	200	SPACE						
99	3	200	SPACE						
100	3	200	SPACE						

TRIP AMPS = FUSE SIZE IF FUSIBLE SWITCHES
 SUBTOTAL ODD SIDE: 30723 30723 30723
 SUBTOTAL EVEN SIDE: 11443 11443 11443

REMARKS:

FEED-THRU LUG LOAD FROM PANEL:
 TOTAL (ODD + EVEN + FEED-THRU) CONN. LOAD: 48834 48834 48834
 = 147.701 KVA
 = 177.90 AMP

PANELBOARD SCHEDULE

PANEL: "B" (FAR SIDE)
 LOCATION: FAR SIDE ELECTRICAL RACK (WEST BANK)
 VOLTAGE: 120 / 208V, 3PH, 4W, WYE
 MAIN: 180 AMP

ENCLOSURE: NEMA1 LOCKABLE COVER
 FEED: TOP
 BRANCHES: BOLT-ON, PANELBOARD CONSTR.
 STAB-IN, LOAD CENTER CONSTR.
 FUSIBLE SWITCHES W/CLASS R FUSE REL. CLIPS.
 FURNISH ALL FUSES, CLASS RK5, 200,000 AIC
 PANEL HAS FRONT ACCESS ONLY
 ALL COPPER BUSING
 FURNISH GROUND BAR KIT
 SERVICE ENTRANCE LABEL
 PANEL NAMEPLATE, 2" X 4" ENGRAVED PLASTIC LAMINATE:
 ON LINE 1, USE 1/2" LETTERING FOR PANEL NAME, ON LINES 2 & 3,
 USE 1/8" LETTERING FOR VOLTS, AMPS, WHERE FED FROM,
 & ON LINE 4, MO./YR. INSTALLED
 BLACK FIELD, WHITE LETTERS
 RED FIELD, WHITE LETTERS

CKT. No.	# OF TRIP POLES	TRIP AMPS	LOAD DESCRIPTION	VOLT-AMPS			TRIP AMPS	# OF POLES	CKT. No.
				A	B	C			
1	3	20	1/2 HP ONCOMING GATE - FAR SIDE	288			20	1	2
2	3	20	1/2 HP ONCOMING GATE - FAR SIDE	288			20	1	2
3	3	20	1/2 HP ONCOMING GATE - FAR SIDE	288			20	1	2
4	3	20	1/2 HP OFF GOING GATE - FAR SIDE	288			20	1	2
5	3	20	1/2 HP OFF GOING GATE - FAR SIDE	288			20	1	2
6	3	20	1/2 HP OFF GOING GATE - FAR SIDE	288			20	1	2
7	3	20	3 HP BARRIER - FAR (WEST) SIDE	1272			20	3	14
8	3	20	3 HP BARRIER - FAR (WEST) SIDE	1272			20	3	14
9	3	20	3 HP BARRIER - FAR (WEST) SIDE	1272			20	3	14
10	3	20	FENDER NAVIGATIONAL LIGHTS (N) - N/W	177			20	1	20
11	3	20	FAR SIDE HALOGEN FLOOD ON BRIDGE APPROACH	150			20	1	22
12	3	20	2 FLASHING BRIDGE APPROACH NAVLIGHTS	138			20	1	24
13	3	20	RED (S) OF GREEN (S) TRAFFIC LIGHTS - FAR SIDE	118			20	1	26
14	3	20	DESECT LOADCENTER	600			20	1	28
15	3	20	DESECT LOADCENTER	1300			20	1	30
16	3	20	FAR SIDE PHONEX WIRELESS CONTACT SYSTEM	100			20	1	32
17	3	20	SPACE				20	1	34
18	3	20	SPACE				20	1	36
19	3	20	SPACE				20	1	38
20	3	20	SPACE				20	1	40
21	3	20	SPACE				20	1	42
22	3	20	SPACE				20	1	44
23	3	20	SPACE				20	1	46
24	3	20	SPACE				20	1	48
25	3	20	SPACE				20	1	50
26	3	20	SPACE				20	1	52
27	3	20	SPACE				20	1	54
28	3	20	SPACE				20	1	56
29	3	20	SPACE				20	1	58
30	3	20	SPACE				20	1	60
31	3	20	SPACE				20	1	62
32	3	20	SPACE				20	1	64
33	3	20	SPACE				20	1	66
34	3	20	SPACE				20	1	68
35	3	20	SPACE				20	1	70
36	3	20	SPACE				20	1	72
37	3	20	SPACE				20	1	74
38	3	20	SPACE				20	1	76
39	3	20	SPACE				20	1	78
40	3	20	SPACE				20	1	80
41	3	20	SPACE				20	1	82
42	3	20	SPACE				20	1	84
43	3	20	SPACE				20	1	86
44	3	20	SPACE				20	1	88
45	3	20	SPACE				20	1	90
46	3	20	SPACE				20	1	92
47	3	20	SPACE				20	1	94
48	3	20	SPACE				20	1	96
49	3	20	SPACE				20	1	98
50	3	20	SPACE				20	1	100

TRIP AMPS = FUSE SIZE IF FUSIBLE SWITCHES
 SUBTOTAL ODD SIDE: 2168 2883 3290
 SUBTOTAL EVEN SIDE: 8824 8887 8368

REMARKS:

FEED-THRU LUG LOAD FROM PANEL:
 TOTAL (ODD + EVEN + FEED-THRU) CONN. LOAD: 11022 11420 11815
 = 34.057 KVA
 = 94.54 AMP

LIGHTING FIXTURE SCHEDULE

TYPE	INPUT WATTS	MANUFACTURER & CATALOG No.	VOLTS	MOUNTING & LOCATION	HEIGHT	No./WATTS	TYPE	LAMP (PENNSYLVANIA) - DESCRIPTION	NOTES
F1	84	METALUX No. 2-AC-232 UNV-EB82-WT	120	CEILING / RECESS	8' AFF	2 / 32	FLUOR	T8	1, 2, 3, 4
F1A	84	METALUX No. 2-AC-232 UNV-EB82-WT	120	CEILING / RECESS	8' AFF	2 / 32	FLUOR	T8	1, 2, 3, 4
F2	50	BROAD LIGHT / EXH FAN No. SE833-HD50L W/ 4" FLEX DUCTO WALL VENT # 643	120	CEILING / RECESS	8' AFF	1 / 27	CFL	MINI-TWIST MED BASE-K	1, 3, 4
F3	173	MCGRAW No. HPMM-K-HF-190-MT-EMLL WITH MOUNTING BULLHORN	120	EXT. WALL / BULLHORN	TBD	1 / 180	HP8	ED28 MOG.	4, 8
F4	286	MCGRAW No. HPMM-K-HF-250-MT-LL	120	METER POLE	TBD	1 / 250	HP8	ED18 MOG.	4, 8
F5	202	MCGRAW No. ASB-F-175-MH-MT-23-Q WITH MOUNTING BULLHORN	120	CEILING / WENCH ROOM	8' AFM	1 / 178	MH	ED28 MOG.	4, 5, 7
F6	202	MCGRAW No. ASB-F-175-MH-MT-23-Q WITH MOUNTING BULLHORN	120	CEILING / WENCH ROOM	8' AFM	1 / 178	MH	ED28 MOG.	4, 5, 7
F7	24	SURE-LITES No. XRC-VS1WP	120	WALL / WENCH ROOM	7'5" AFM	2 / 12	HAL	HALOGEN - 12W	4, 5, 7
F8	12	SURE-LITES No. CC2	120	WALL / CONT. HOUSE	7'5"	2 / 8	INCD	INCANDESCENT - 5.4W	4, 5, 7
F9	86	PIER LIGHT	120	PONTOON / SPAN LIGHT	N/A	1 / 100	INCD	100W, A-18 SHAPE	4, 9

NOTES PERTAINING TO LIGHTING FIXTURE SCHEDULE

- FLUORESCENT LAMPS SHALL HAVE A CRI VALUE OF 70 WITH A COLOR TEMPERATURE OF 3500K.
- LUMINAIRE TO HAVE 2 BALLASTS FOR SWITCHING, ONE FOR INBOARD LAMP AND SECOND FOR THE TWO OUTBOARD LAMPS OR OTHER SINGLE LAMP.
- CONTRACTOR SHALL ADD AT LEAST THREE (3) ADDITIONAL T-GRID THE WIRES TO SECTION OF T-GRID USED TO SUPPORT THE FIXTURE. THESE ADDED WIRE SUPPORTS SHALL RELIEVE THE NORMAL T-GRID SUPPORTS OF THE WEIGHT OF
- ALTERNATE LUMINAIRES (FIXTURES) MANUFACTURERS INDICATED IN TECHNICAL INTERIOR LUMINAIRES, SECTION 16510 2 01 C.1
- SECURE FIXTURE BULL HORN TO C-STRUT SPANNED BETWEEN WALL GIRTS.
- FIXTURE SHALL NOT BE SECURED SOLELY TO THE WALL SURFACE. INSTEAD, SHALL BE MOUNTED TO A FRAMING BRACKET ON THE INTERIOR OF THE WALL.
- MOUNTING HEIGHT FOR THIS FIXTURE IS SET TO THE TOP OF FIXTURE
- MOUNTING HEIGHT SHALL BE DETERMINED IN THE FIELD
- MOUNTING HEIGHT SHALL BE DETERMINED IN THE FIELD AFTER FABRICATION OF LIGHT POLE

PANEL SCHEDULE

PANEL: "CH-4"

LOCATION: MEZZANINE WINCH ROOM
 FOUND ON DWG. No. EA, E7

VOLTAGE: 277 / 480 V, 3PH, 4W, WYE
 MAIN: 200 AMP

ENCLOSURE: NEMA1 LOCKABLE COVER
 FEED: TOP
 BRANCHES: BOLT-ON, PANELBOARD CONSTR.
 STAB-IN, LOAD CENTER CONSTR.
 FUSIBLE SWITCHES W/CLASS R FUSE REL. CLIPS.
 FURNISH ALL FUSES

GENERAL NOTES:

1. ALL PARTS FURNISHED BY THE CONTRACTOR SHALL BE AS SHOWN OR APPROVED EQUAL. THE CONTRACTOR SHALL DETERMINE THE FINAL DIMENSIONS OF PARTS INVOLVING COMMERCIAL PRODUCTS SUCH AS MOTORS, SPEED REDUCERS, BEARINGS, ELECTRICAL EQUIPMENT AND THE LIKE FROM CERTIFIED DIMENSIONS, OUTLINES OF THE COMMERCIAL PRODUCTS, BEFORE MAKING SHOP DRAWINGS FOR THE PARTS INVOLVED.
2. ALL BOLTS TO HAVE ONE NUT AND ONE HEAVY SAE LOCK WASHER UNLESS OTHERWISE NOTED OR OTHER MEANS OF LOCKING NUT ARE SHOWN ON DETAILS.
3. MAX OPERATING CONDITIONS: 30 MPH WIND WITH 4.4 FPS (3 MPH) CURRENT.

LUBRICATION NOTES:

1. UNLESS OTHERWISE SHOWN ON DETAIL DRAWINGS LUBRICANT SHALL BE AS FOLLOWS OR APPROVED EQUAL:
2. BEARINGS: PLAIN SLEEVE, PILLOW BLOCKS AND ALL OTHER ANTI-FRICTION BEARINGS, FLEXIBLE COUPLINGS, ALL GREASE FITTINGS, ALL SLIDING SURFACE, SOCONY MOBILE OIL CO. - SOVAREX L-0
3. OPEN GEARS, SHEAVES, ETC.: CASTROL MOLUB-ALLOY TM 9002 HEAVY.

LIST OF PARTS NOT DETAILED			
ITEM	QTY	PART NUMBER	DESCRIPTION
1	1	1NNF6	AIR COMPRESSOR, GRAINGER
7	2	B60726-00E	FAIRLEAD, SMITH BERGER MARINE, INC.

RECORD DRAWING

These compiled engineering as-built record drawings are a compilation of a copy of the original sealed engineering design drawings for this project, modified by addenda, change orders and information furnished by the contractor. The information shown on these compiled engineering as-built record drawings that was provided by the contractor or others not associated with me cannot be verified for accuracy or completeness. My compilation of this information does not relieve the contractor of responsibility for errors resultant to incorrect, incomplete or omitted data on the contractor's as-built record drawings - nor does it relieve the contractor of responsibility for non-conformance with the original contract documents. The original sealed engineering drawings are on file in the offices of Providence Engineering and Design, LLC. The professional engineer was Louis E. Rouffier, III with License Number 28852. (January 5, 2017)

REVISED FILE NAME	
DATE	REVISIONS



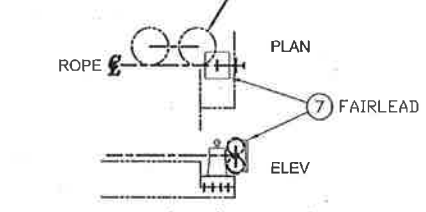
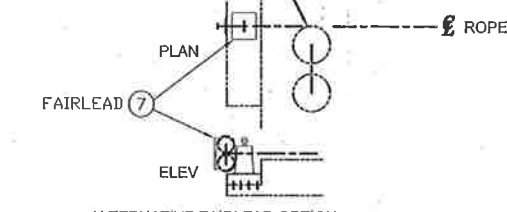
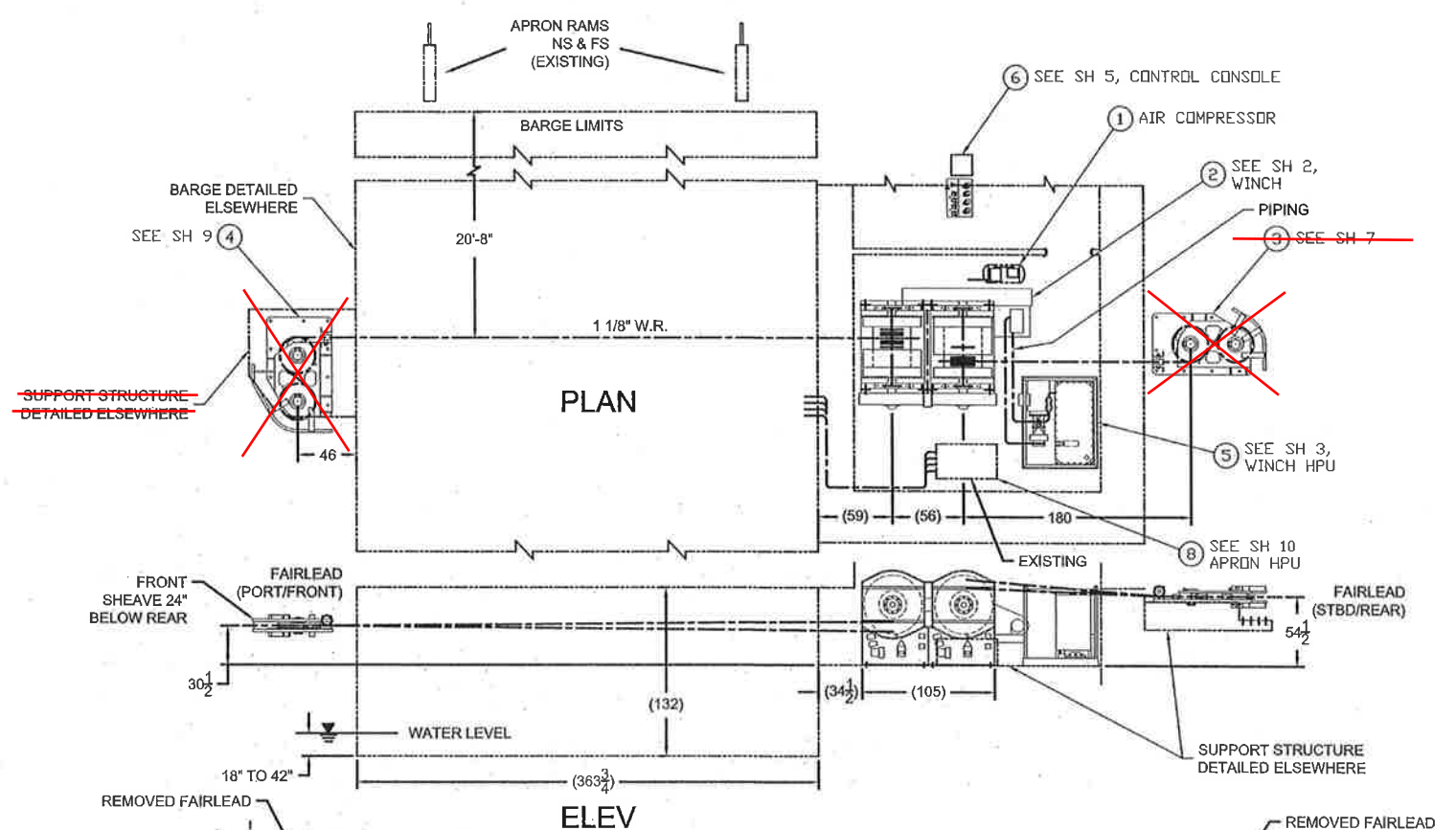
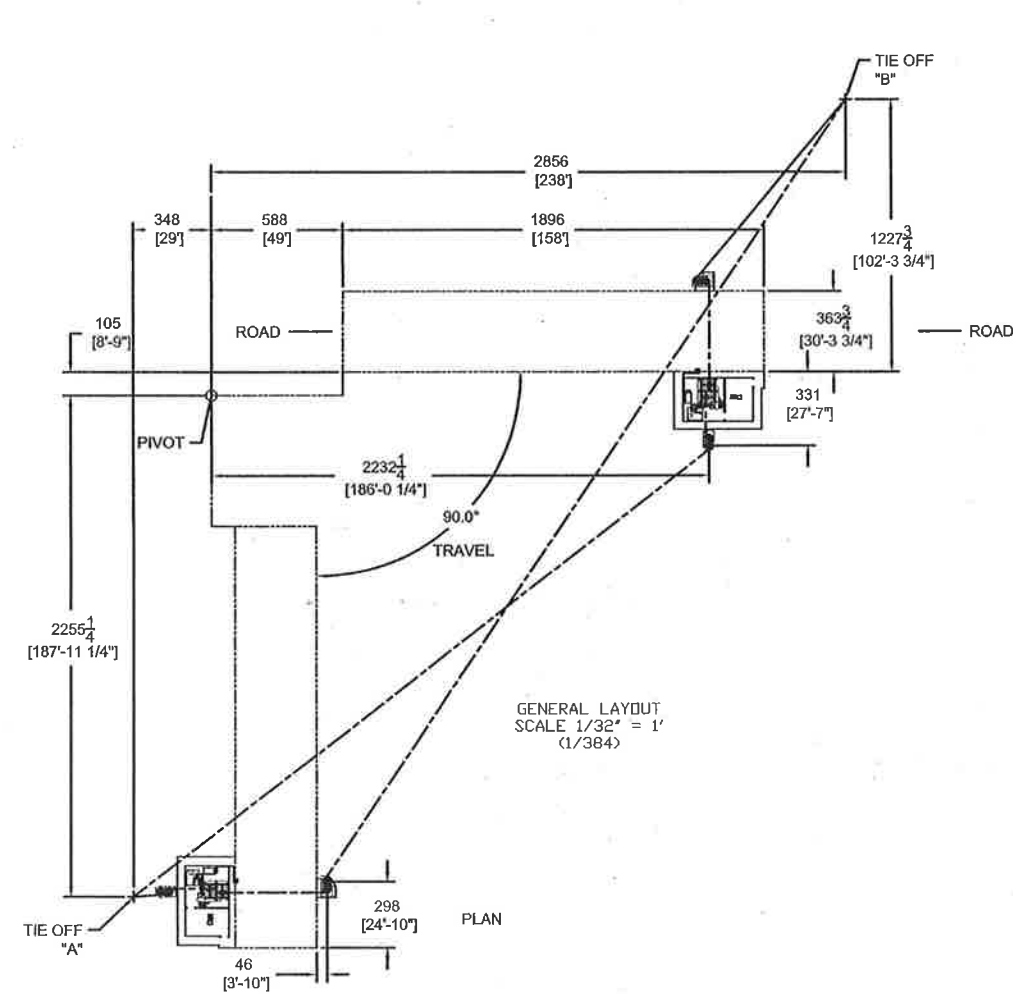
PROVIDENCE/ GSE Associates, LLC
 8810 Highway 52, Suite 201, Metairie, LA 70002 (225) 885-8766
 2315 N Woodshore, Suite 201, Metairie, LA 70002 (504) 885-8766
 ENGINEERS • ARCHITECTS • PLANNERS • SURVEYORS

DATE: NOV. 15, 2013
 SCALE: AS SHOWN
 PLOT SCALE: 1:1
 JOB NO.: 441-057-GSE

DESIGNED BY: LER
 DRAWN BY: EAW
 CHECKED BY: LER

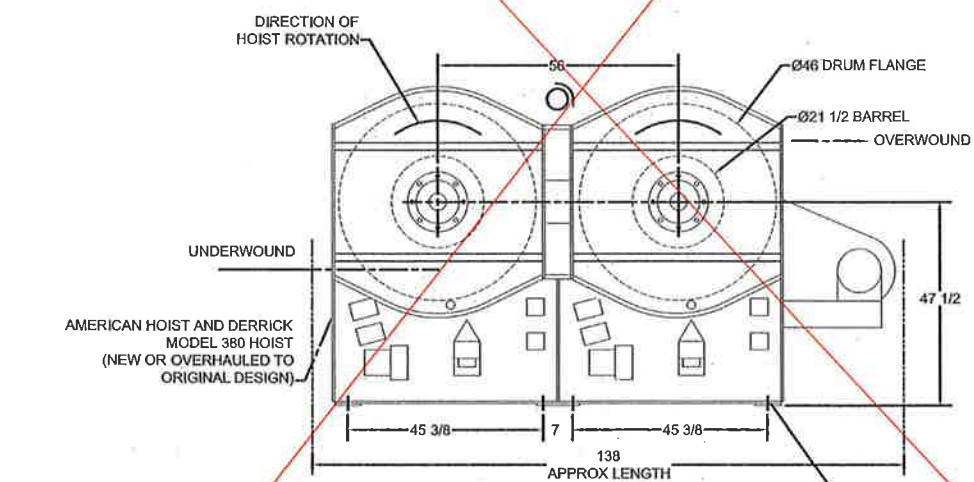
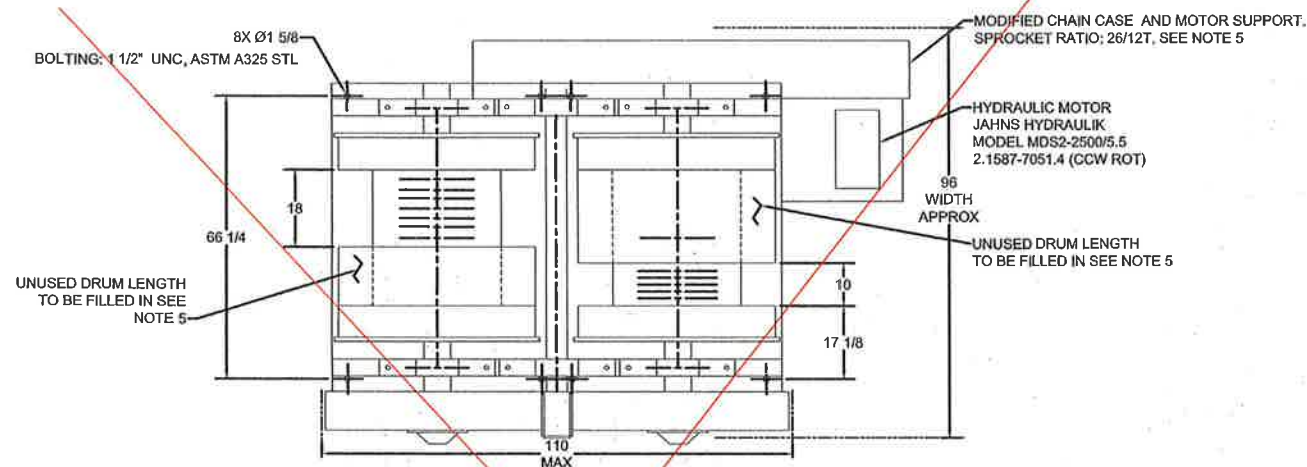
JOB: FALGOUT CANAL PONTOON BRIDGE REPLACEMENT
 OPERATING MACHINERY
 OWNER: Terrebonne Parish Consolidated Government
 Terrebonne Parish, Louisiana

SHEET NO. **M1**
 1 OF 10



Alternate Fairlead was used.

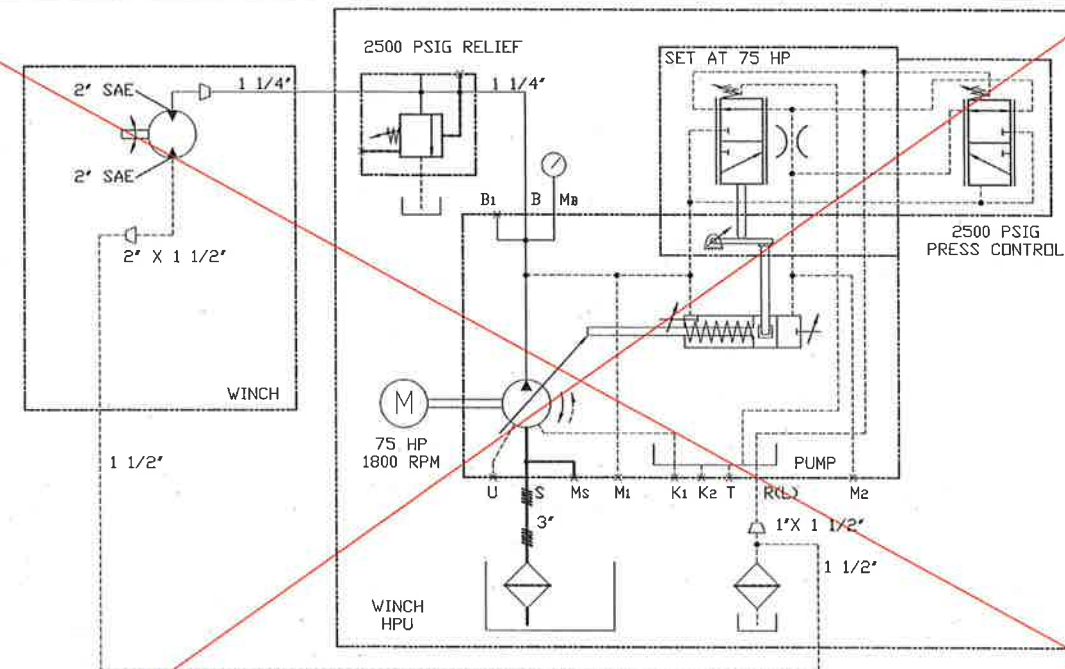
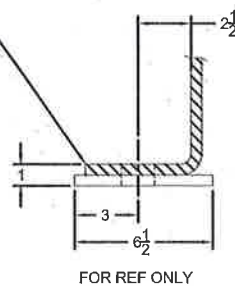
Alternate Fairlead was used.



ITEM 2-WINCH
SCALE: 1/30

WINCH GENERAL SPECIFICATIONS:

- MAX SINGLE LINE PULL:
MOTOR SELECTOR AT LOW SPEED (MANUAL)
63 KIPS 2ND LAYER AT 22 FPM
45 KIPS 7TH LAYER AT 31 FPM
MOTOR SELECTOR AT HIGH SPEED (MANUAL)
TO BE DETERMINED
- FOR WIRE ROPE, 1 1/8" DIA, 6X37, W/ FIBER CORE,
B.S. 115,800 LBS, 2.13 #/FT.
SPOOLING:
SHORT DRUM = INSTALL 400 FT
LONG DRUM = INSTALL 650 FT
- DRUM CONTROLS TO BE SIMILAR TO EXISTING SYSTEM
WITH AIR CONTROLLED BAND CLUTCHES, BRAKES AND PAWLS.
SEE SH 5.
- ESTIMATED WINCH WEIGHT: 20,000 LBS. (NO W.R.)
- WHERE THIS NOTE REFERENCED TO, CONTRACTOR TO SUBMIT
DESIGN DETAILS FOR APPROVAL.



WINCH SCHEMATIC
(HYDRAULIC DRIVE)
NOT TO SCALE

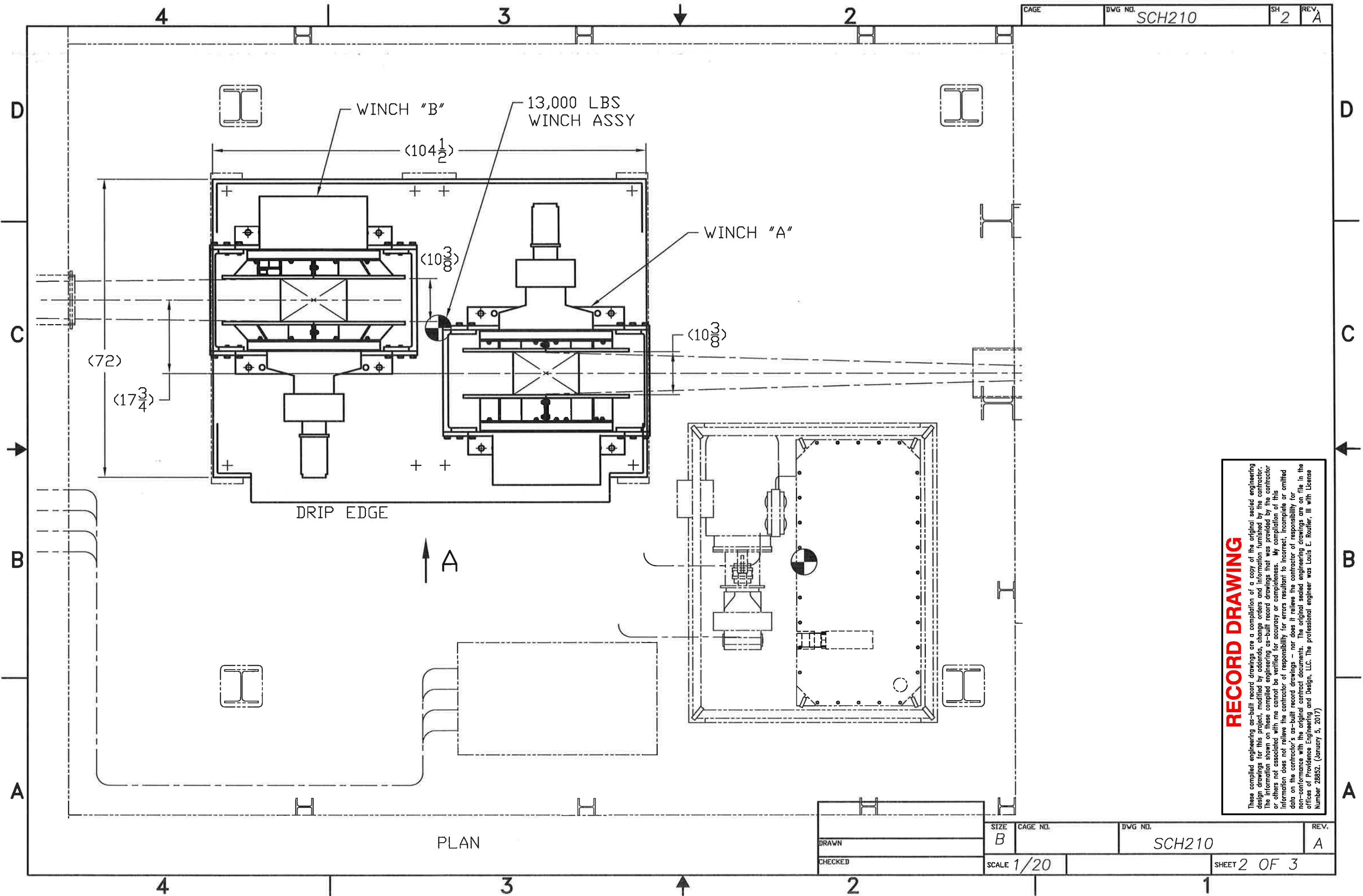
NOTE:

- HIGH PRESSURE LINES TO BE RATED FOR 3500 PSI WPR, MIN.
- HYDRAULIC FLUID: SYN DYNE 302 OR EQUAL, RELIANT TECHNOLOGIES, INC.
- PIPING RUN DETAILS TO BE SUBMITTED BY THE CONTRACTOR FOR APPROVAL. SEE SH 1.

CADD FILE NAME:		FILE NAME:	
APPROVED	REVISIONS	DATE	REMARKS
PROVIDENCE/ GSE Associates, LLC <small>984 Orange Grove Rd Baton Rouge, LA 70802 (504) 797-4300</small>		<small>2316 N. Westbank Ste 201 Baton Rouge, LA 70802 (504) 444-1717</small>	
DESIGNED BY:	DATE:	SCALE:	PLOT SCALE:
LER	NOV. 15, 2013	AS SHOWN	1:1
DRAWN BY:	JOB NO.:	441-057-GSE	
EMV			
CHECKED BY:			
LER			
JOB: FALGOUT CANAL PONTOON BRIDGE REPLACEMENT		OPERATING MACHINERY	
OWNER: Terrebonne Parish Consolidated Government		Terrebonne Parish, Louisiana	
SHEET NO. M2			
2 OF 10			

RECORD DRAWING

These compiled engineering as-built record drawings are a compilation of a copy of the original sealed engineering design drawings for this project, modified by addenda, change orders and information furnished by the contractor. The information shown on these compiled engineering as-built record drawings that was provided by the contractor or others not associated with me cannot be verified for accuracy or completeness. My compilation of this information does not relieve the contractor of responsibility for errors resultant to incorrect, incomplete or omitted data on the contractor's as-built record drawings - nor does it relieve the contractor of responsibility for non-conformance with the original contract documents. The original sealed engineering drawings are on file in the offices of Providence Engineering and Design, LLC. The professional engineer was Louis E. Routier, III with License Number 28852. (January 5, 2017)



PLAN

RECORD DRAWING

These compiled engineering as-built record drawings are a compilation of a copy of the original sealed engineering design drawings for this project, modified by addenda, change orders and information furnished by the contractor. The information shown on these compiled engineering as-built record drawings that was provided by the contractor or others not associated with me cannot be verified for accuracy or completeness. My completion of this information does not relieve the contractor of responsibility for errors resultant to incorrect, incomplete or omitted data on the contractor's as-built record drawings - nor does it relieve the contractor of responsibility for non-conformance with the original contract documents. The original sealed engineering drawings are on file in the offices of Providence Engineering and Design, LLC. The professional engineer was Louis E. Ruffler, III with License Number 28552. (January 5, 2017)

DRAWN	SIZE B	CAGE NO.	DWG NO. SCH210	REV. A
CHECKED	SCALE 1/20	SHEET 2 OF 3		

4

3

2

CAGE

DWG NO.

SCH210

SH

3

REV.

A

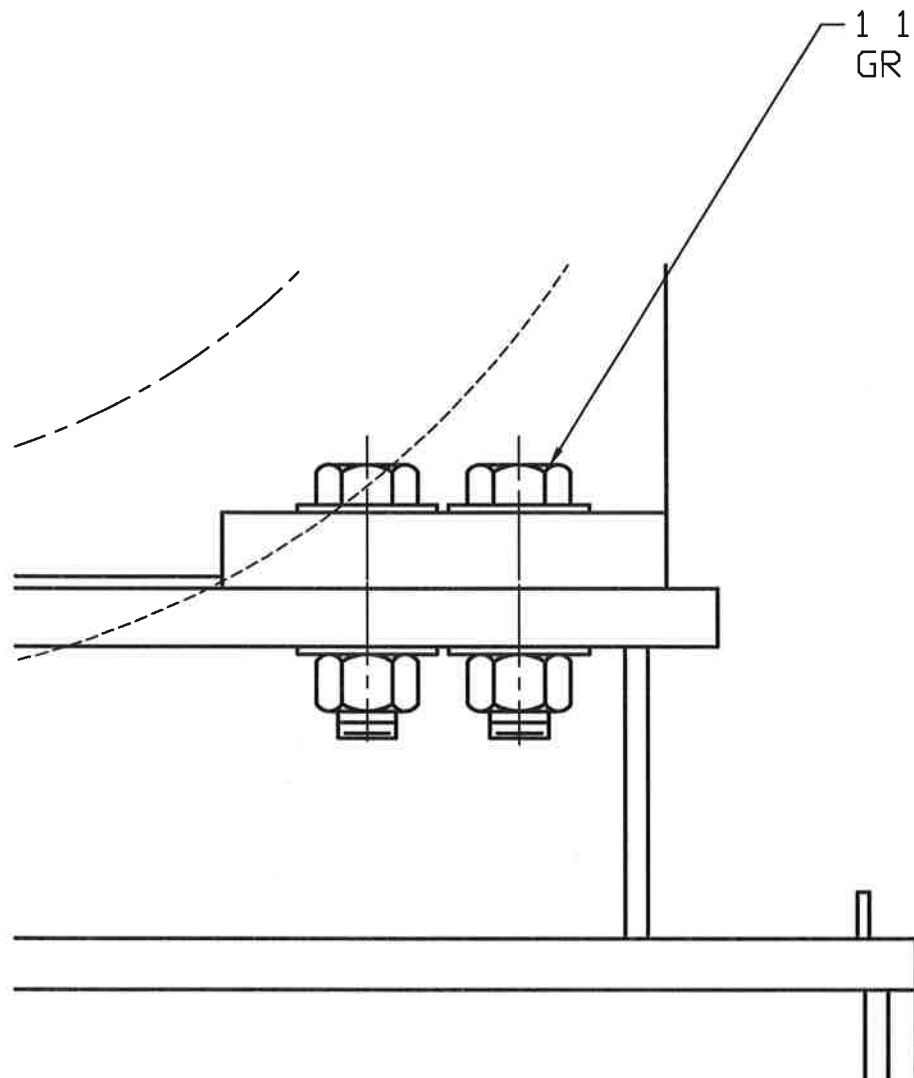
D

C

B

A

1 1/4"-7UNC X 5"L
GR 8 BOLTING, 16X



DETAIL A

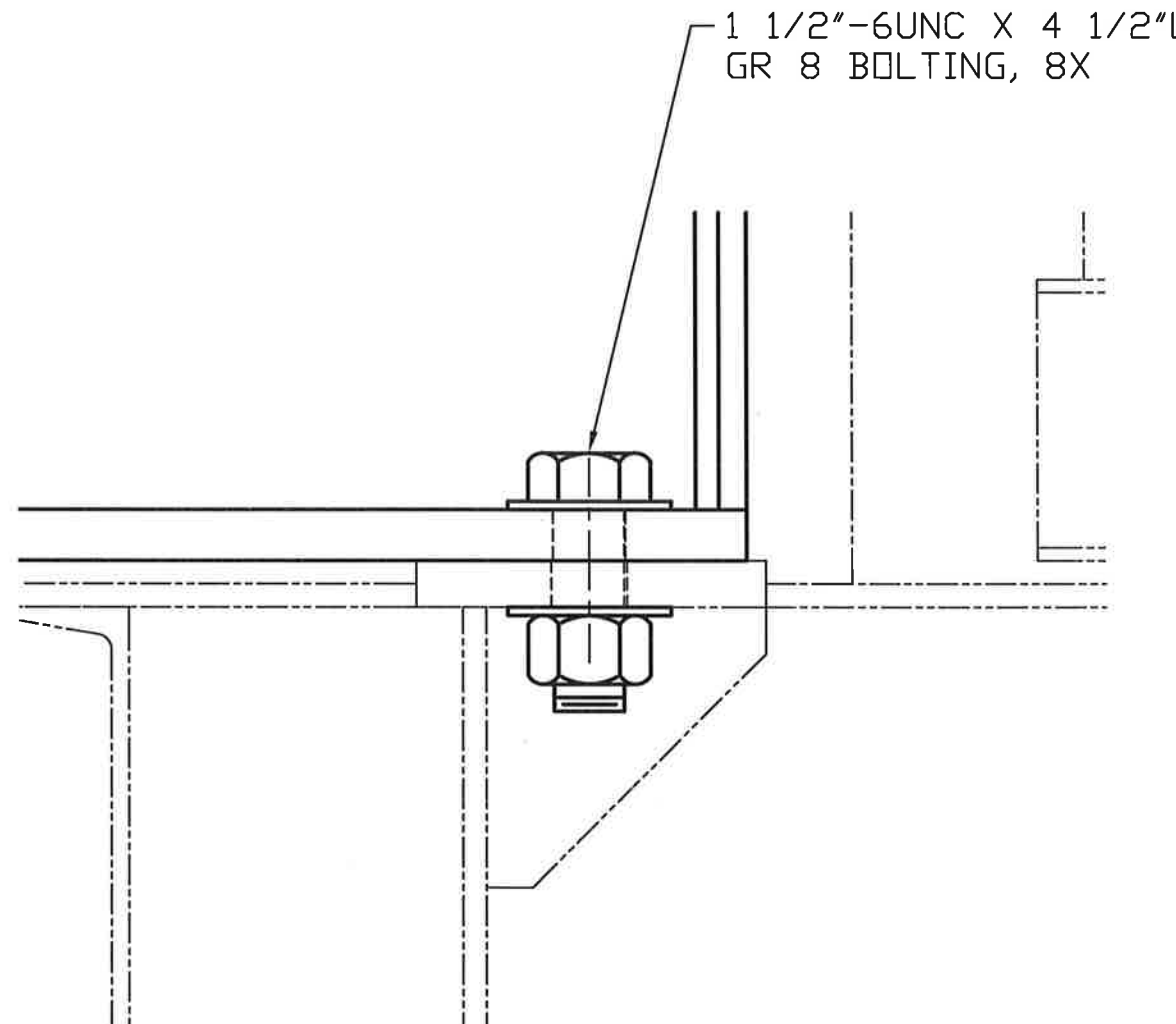
D

C

B

A

1 1/2"-6UNC X 4 1/2"L
GR 8 BOLTING, 8X



DETAIL B

RECORD DRAWING

These compiled engineering as-built record drawings are a compilation of a copy of the original sealed engineering design drawings for this project, modified by addenda, change orders and information furnished by the contractor. The information shown on these compiled engineering as-built record drawings that was provided by the contractor or others not associated with me cannot be verified for accuracy or completeness. My compilation of this information does not relieve the contractor of responsibility for errors resultant to incorrect, incomplete or omitted data on the contractor's as-built record drawings - nor does it relieve the contractor of responsibility for non-conformance with the original contract documents. The original sealed engineering drawings are on file in the offices of Providence Engineering and Design, LLC. The professional engineer was Louis E. Routier, III with License Number 28852. (January 5, 2017)

SIZE	CAGE NO.	DWG NO.	REV.
B		SCH210	A
DRAWN			
CHECKED	SCALE 1/4	SHEET 3 OF 3	

4

3

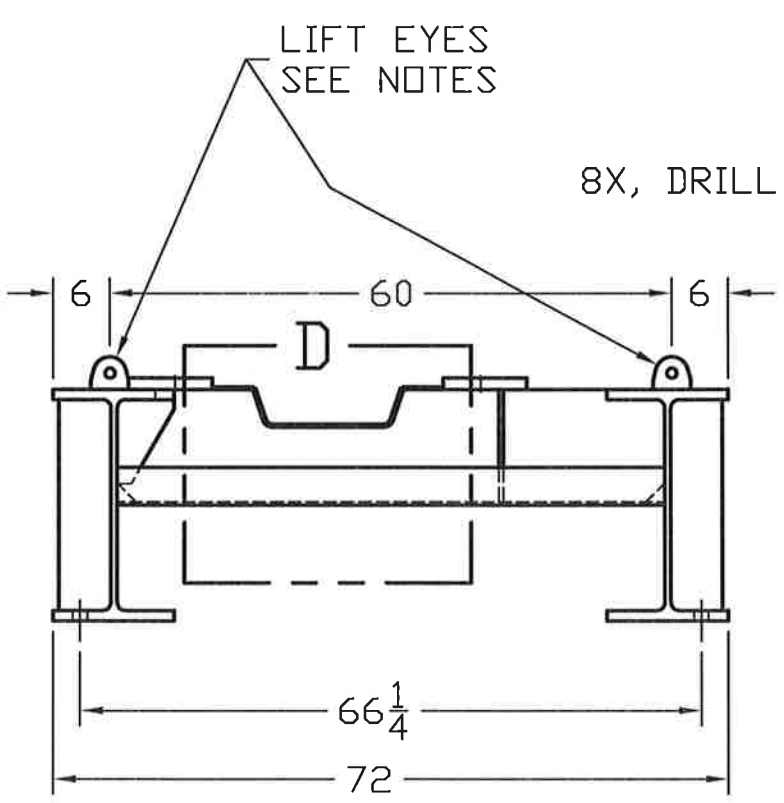
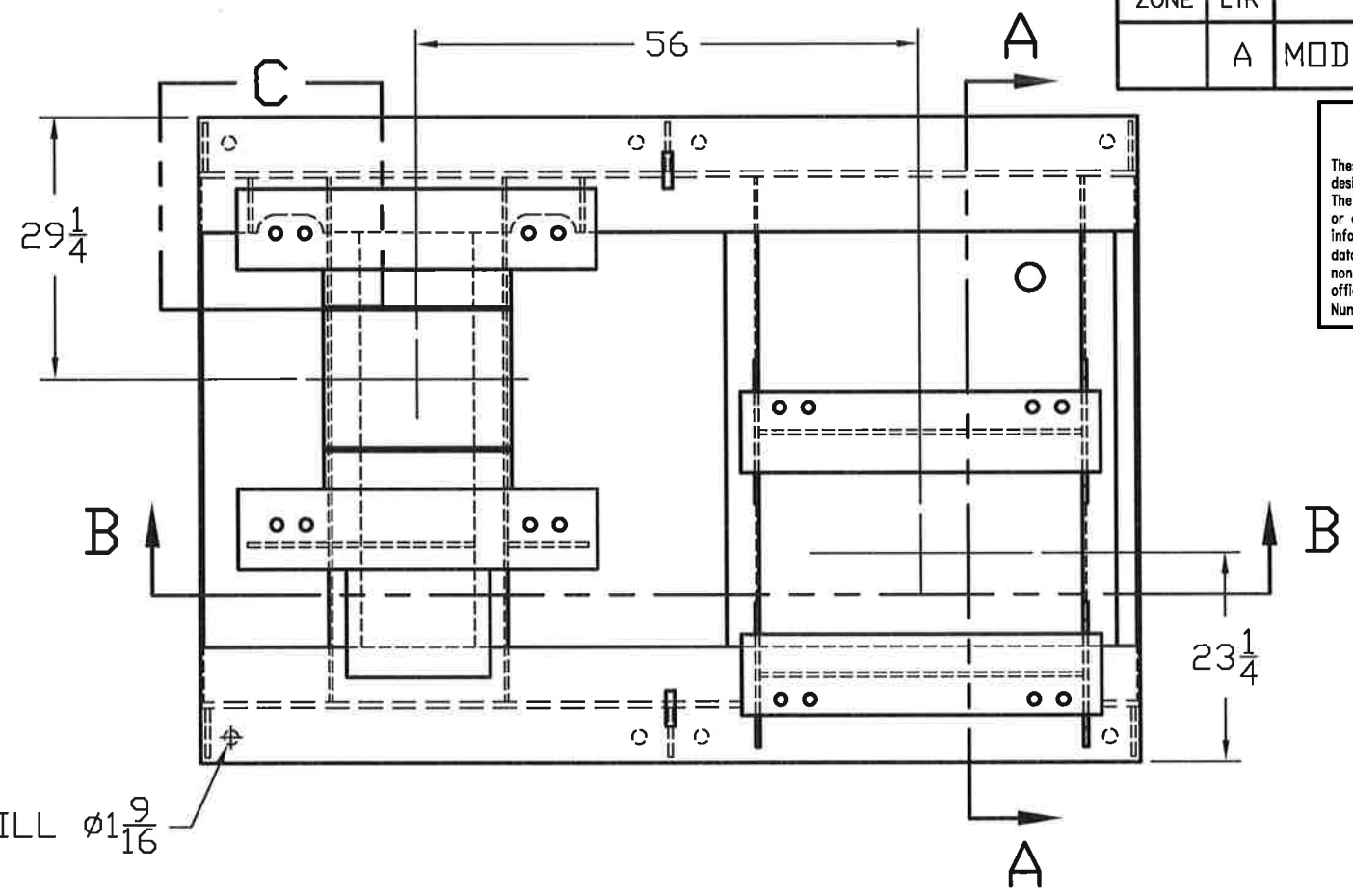
2

1

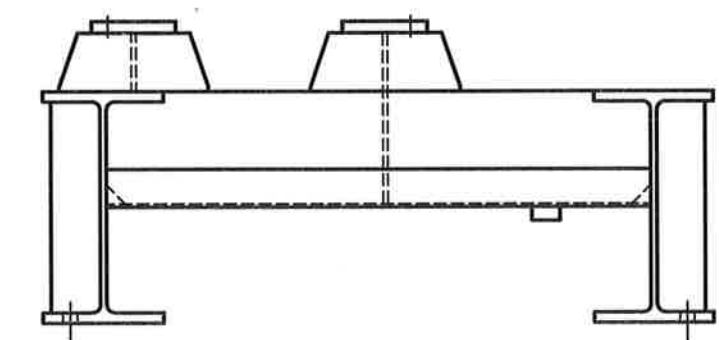
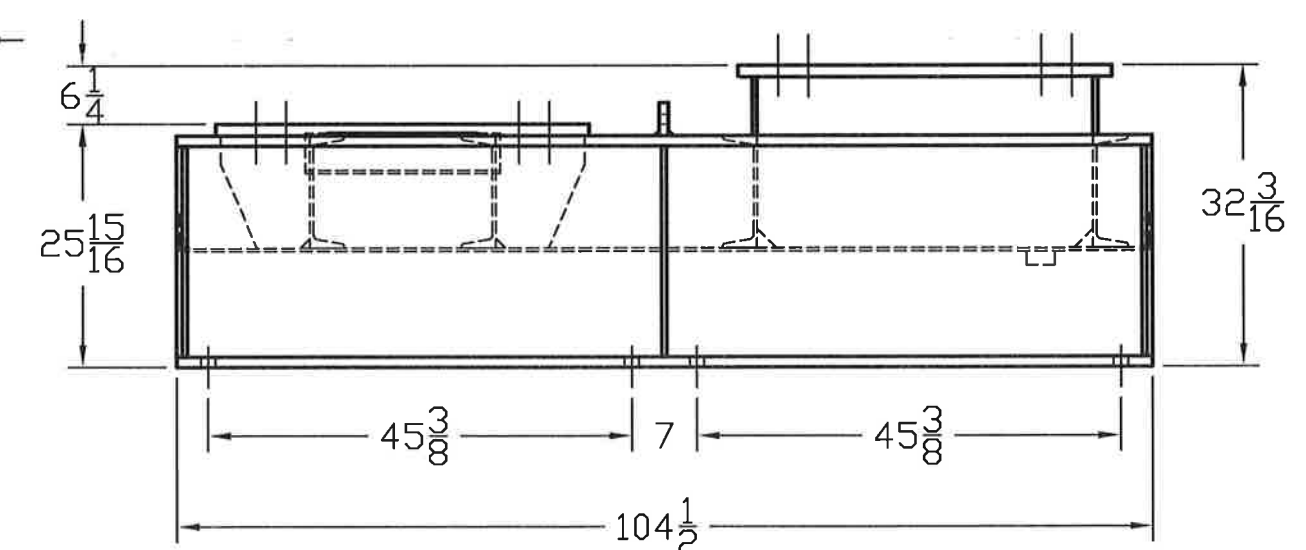
REVISIONS			
ZONE	LTR	DESCRIPTION	DATE
A		MOD TO FIT WINCH B	3/3/16
APPROVED			

RECORD DRAWING

These compiled engineering as-built record drawings are a compilation of a copy of the original sealed engineering design drawings for this project, modified by addenda, change orders and information furnished by the contractor. The information shown on these compiled engineering as-built record drawings that was provided by the contractor or others not associated with me cannot be verified for accuracy or completeness. My compilation of this information does not relieve the contractor of responsibility for errors resultant to incorrect, incomplete or omitted data on the contractor's as-built record drawings - nor does it relieve the contractor of responsibility for non-conformance with the original contract documents. The original sealed engineering drawings are on file in the offices of Providence Engineering and Design, LLC. The professional engineer was Louis E. Roulter, III with License Number 28852. (January 5, 2017)

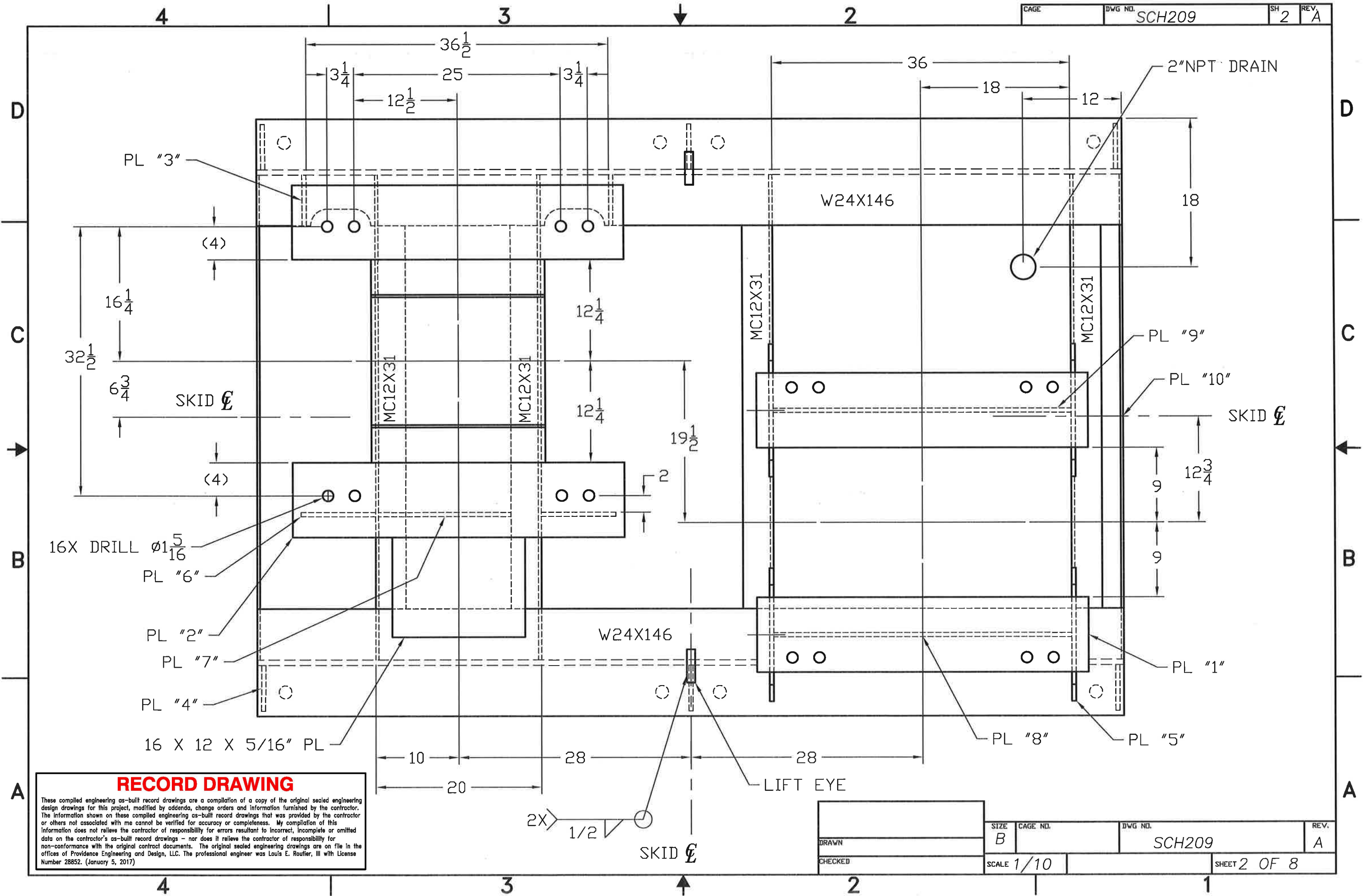


8X, DRILL $\phi 1 \frac{9}{16}$



- NOTES:
1. WELDING IN A/W AWS D1.1.
 2. ALL JOINTS CJP WELDS UNLESS OTHERWISE SPECIFIED.
 3. MATL: ASTM A36 OR EQUAL
 4. EST WEIGHT: 4,700 LBS.
 5. LIFTING: USE 2 PART SLING, 4'-6" MIN LEG LENGTH
USE 7/8" NOM SIZE SHACKLE (1" PIN), 6 1/2T, AT LIFT EYES.

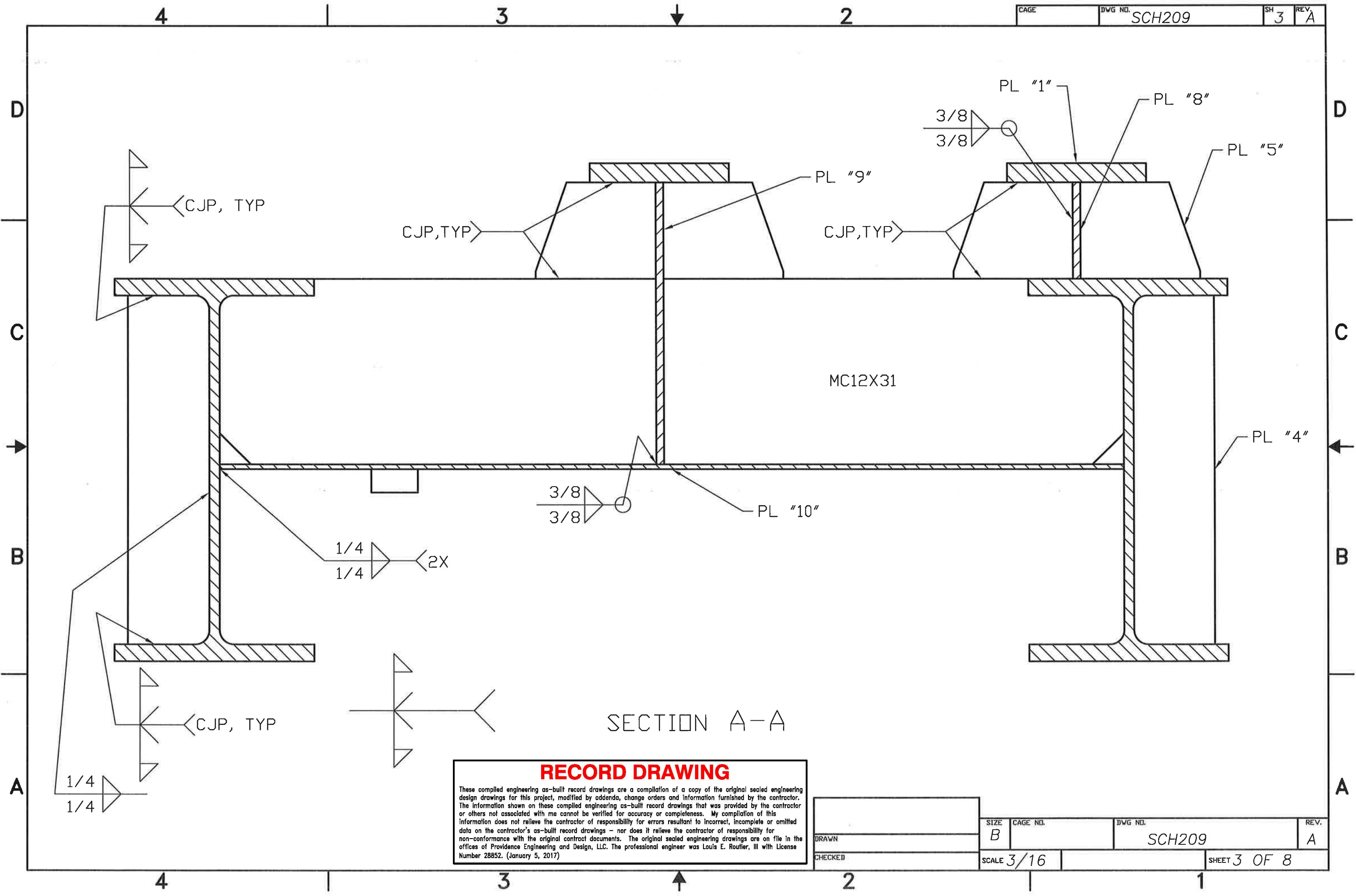
REMOVE ALL SHARP EDGES/DEBURR	CONTRACT NO.		SOUTHERN CRANE & HYDRAULICS, INC.			
UNLESS OTHERWISE SPECIFIED DIMENSIONS ARE IN INCHES. TOLERANCES ARE: FRACTIONS ANGLES DECIMALS +/-1/16 +/- .5' .XX+/- .03 .XXX+/- .005	APPROVALS	DATE	3210 EARHART DR. HOUMA, LA 70363			
	DRAWN		TITLE WINCH BASE			
	CHECKED		SIZE B	CAGE NO.	DWG NO. SCH209	REV. A
	ENGR		SCALE 1/20			
DO NOT SCALE DRAWING	DESIGN ACTIVITY		JOB NO.	CAL. WT/ACT. WT	SHEET 1 OF 8	
FINISH						



RECORD DRAWING

These compiled engineering as-built record drawings are a compilation of a copy of the original sealed engineering design drawings for this project, modified by addenda, change orders and information furnished by the contractor. The information shown on these compiled engineering as-built record drawings that was provided by the contractor or others not associated with me cannot be verified for accuracy or completeness. My compilation of this information does not relieve the contractor of responsibility for errors resultant to incorrect, incomplete or omitted data on the contractor's as-built record drawings - nor does it relieve the contractor of responsibility for non-conformance with the original contract documents. The original sealed engineering drawings are on file in the offices of Providence Engineering and Design, LLC. The professional engineer was Louis E. Roulier, III with License Number 28852. (January 5, 2017)

DRAWN	SIZE B	CAGE NO.	DWG NO. SCH209	REV. A
CHECKED	SCALE 1/10	SHEET 2 OF 8		

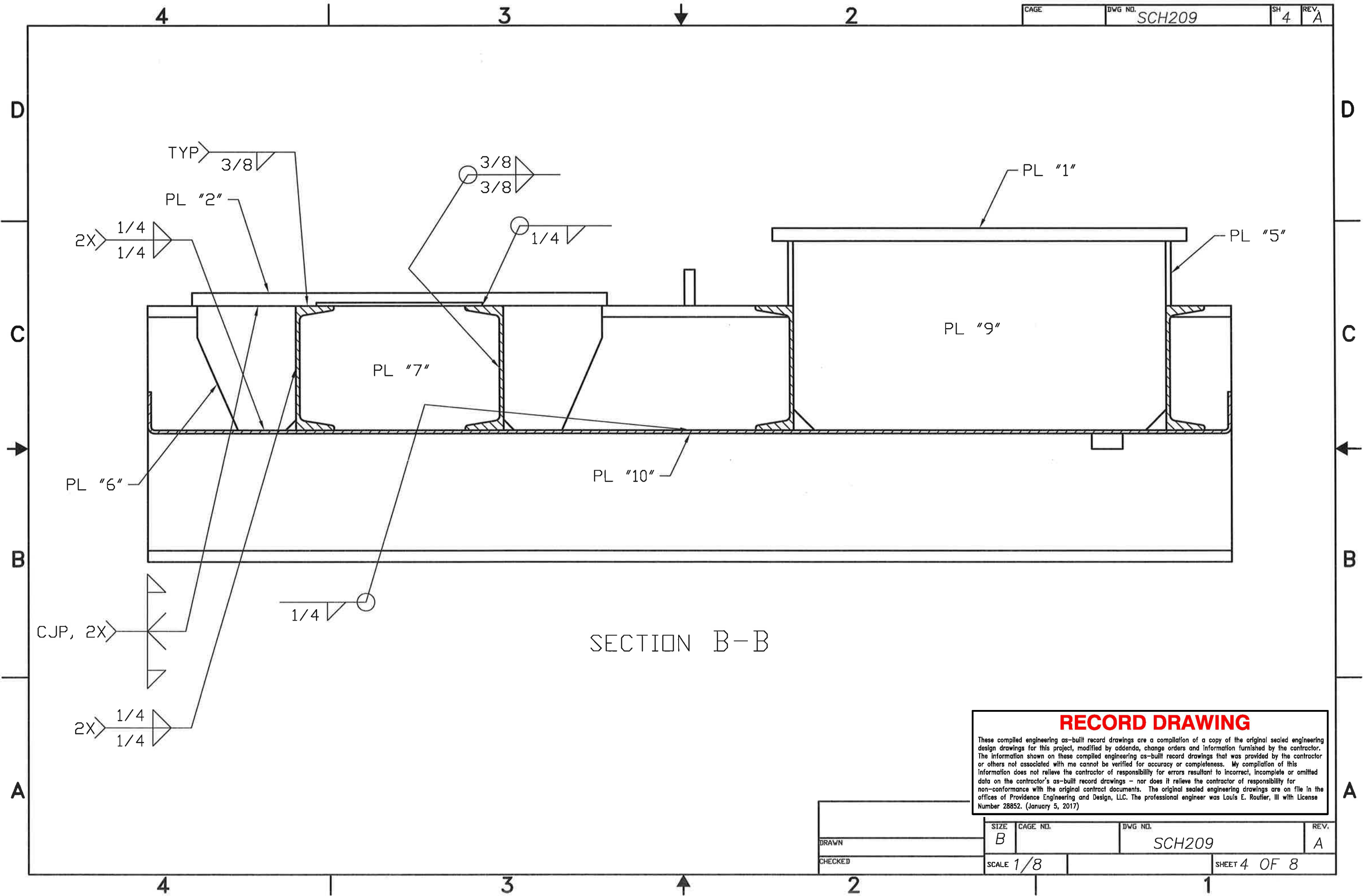


SECTION A-A

RECORD DRAWING

These compiled engineering as-built record drawings are a compilation of a copy of the original sealed engineering design drawings for this project, modified by addenda, change orders and information furnished by the contractor. The information shown on these compiled engineering as-built record drawings that was provided by the contractor or others not associated with me cannot be verified for accuracy or completeness. My compilation of this information does not relieve the contractor of responsibility for errors resultant to incorrect, incomplete or omitted data on the contractor's as-built record drawings - nor does it relieve the contractor of responsibility for non-conformance with the original contract documents. The original sealed engineering drawings are on file in the offices of Providence Engineering and Design, LLC. The professional engineer was Louis E. Routier, III with License Number 28852. (January 5, 2017)

DRAWN	SIZE B	CAGE NO.	DWG NO. SCH209	REV. A
CHECKED	SCALE 3/16	SHEET 3 OF 8		



RECORD DRAWING

These compiled engineering as-built record drawings are a compilation of a copy of the original sealed engineering design drawings for this project, modified by addenda, change orders and information furnished by the contractor. The information shown on these compiled engineering as-built record drawings that was provided by the contractor or others not associated with me cannot be verified for accuracy or completeness. My compilation of this information does not relieve the contractor of responsibility for errors resultant to incorrect, incomplete or omitted data on the contractor's as-built record drawings - nor does it relieve the contractor of responsibility for non-conformance with the original contract documents. The original sealed engineering drawings are on file in the offices of Providence Engineering and Design, LLC. The professional engineer was Louis E. Roulter, III with License Number 28852. (January 5, 2017)

DRAWN	SIZE B	CAGE NO.	DWG NO. SCH209	REV. A
CHECKED	SCALE 1/8	SHEET 4 OF 8		

4

3

2

CAGE

DWG NO.

SCH209

SH

REV.

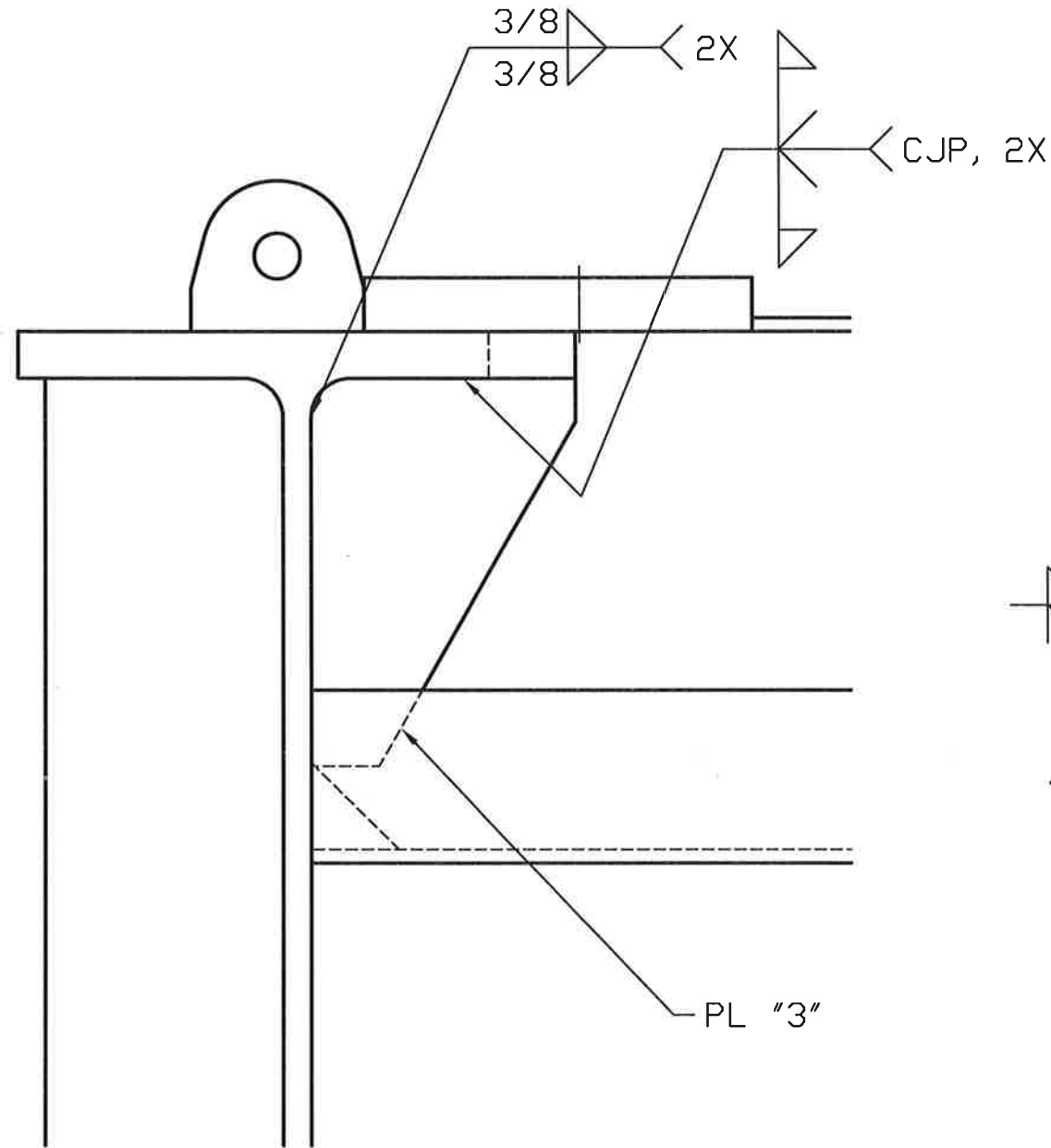
5 A

D

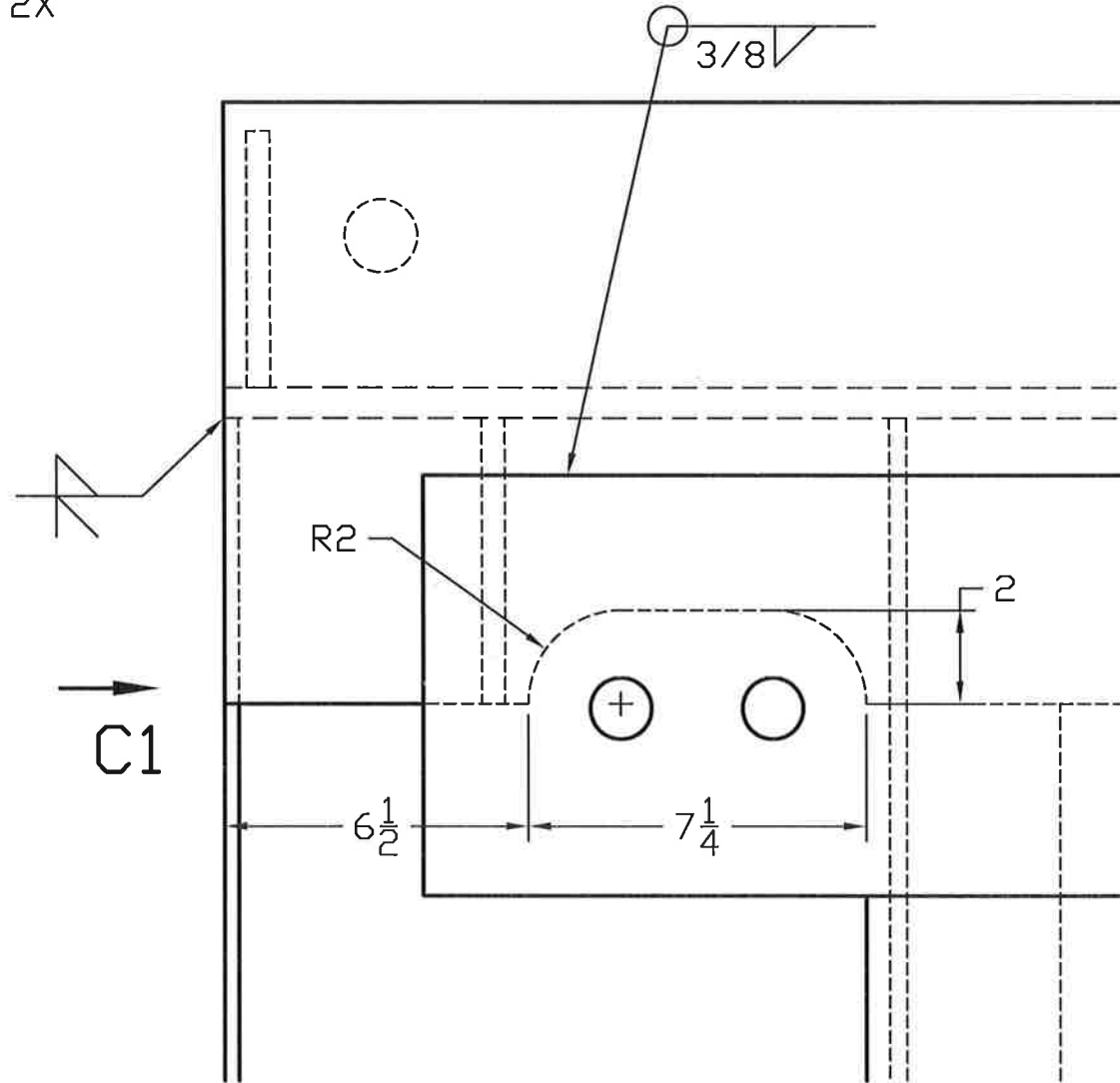
C

B

A



VIEW C1



DETAIL C

RECORD DRAWING

These compiled engineering as-built record drawings are a compilation of a copy of the original sealed engineering design drawings for this project, modified by addenda, change orders and information furnished by the contractor. The information shown on these compiled engineering as-built record drawings that was provided by the contractor or others not associated with me cannot be verified for accuracy or completeness. My compilation of this information does not relieve the contractor of responsibility for errors resultant to incorrect, incomplete or omitted data on the contractor's as-built record drawings - nor does it relieve the contractor of responsibility for non-conformance with the original contract documents. The original sealed engineering drawings are on file in the offices of Providence Engineering and Design, LLC. The professional engineer was Louis E. Routier, III with License Number 28852. (January 5, 2017)

DRAWN	SIZE B	CAGE NO.	DWG NO. SCH209	REV. A
CHECKED	SCALE 1/4		SHEET 5 OF 8	

4

3

2

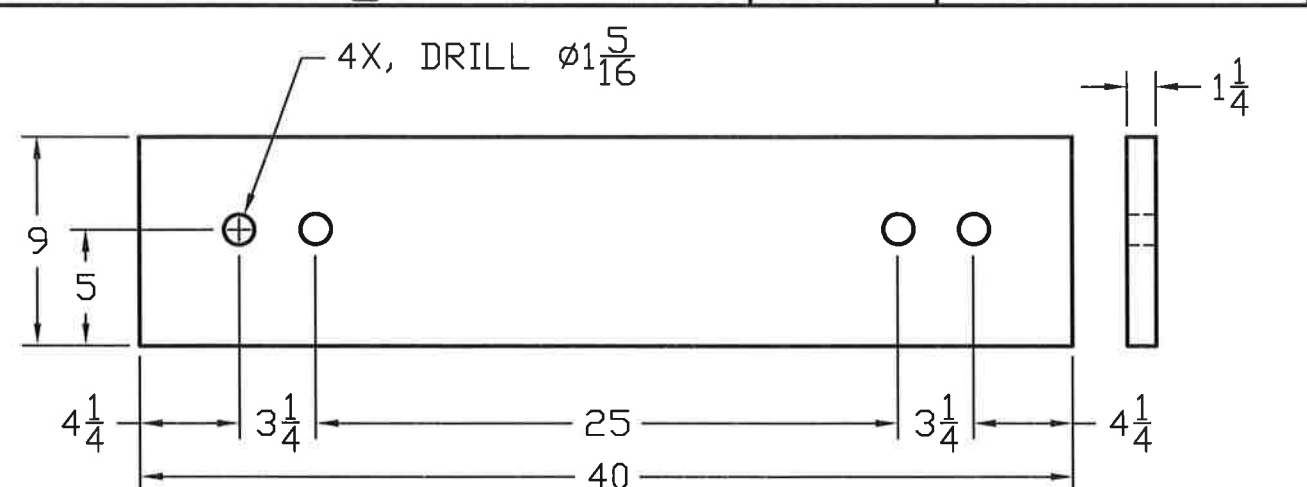
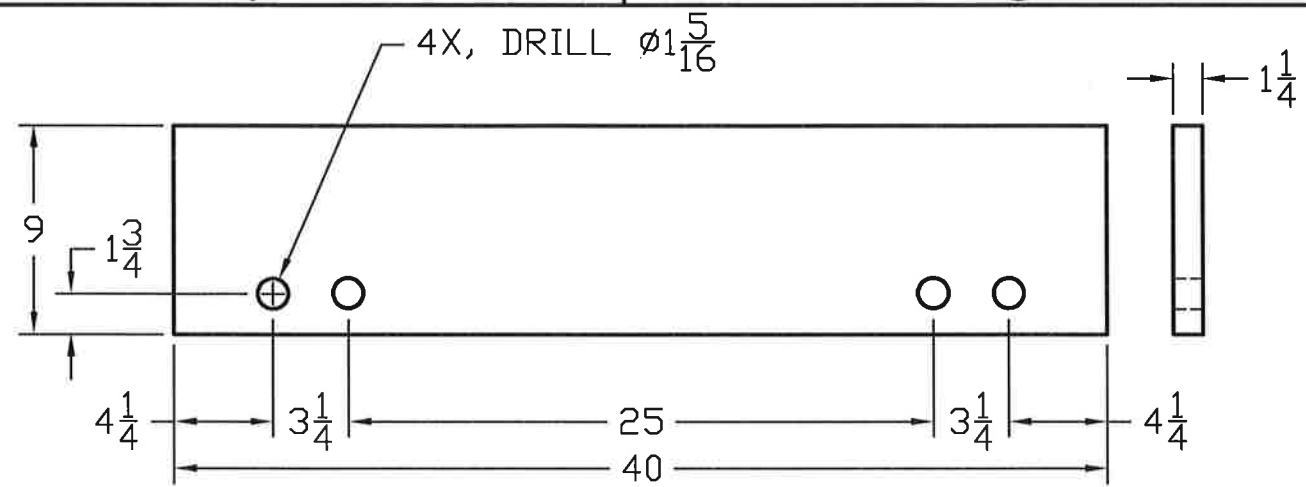
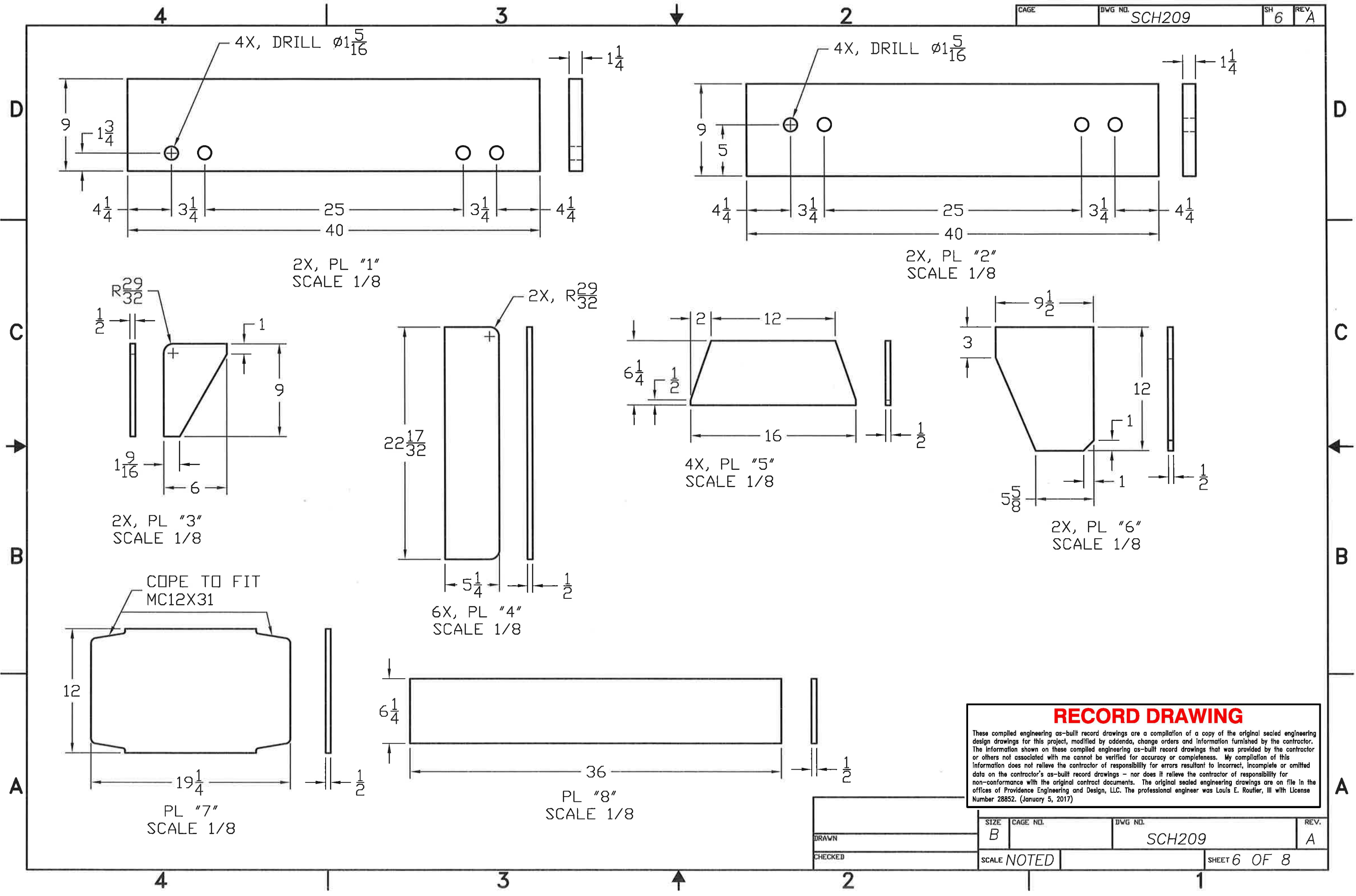
1

D

C

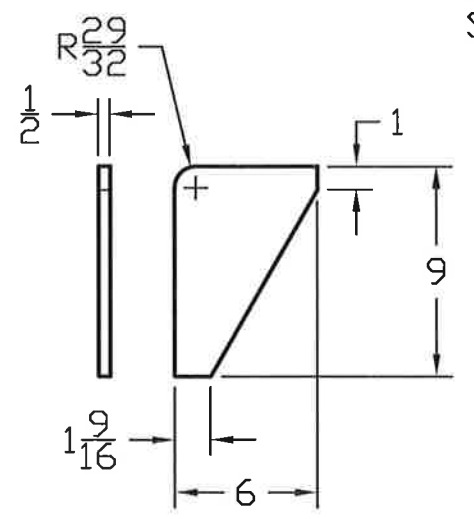
B

A

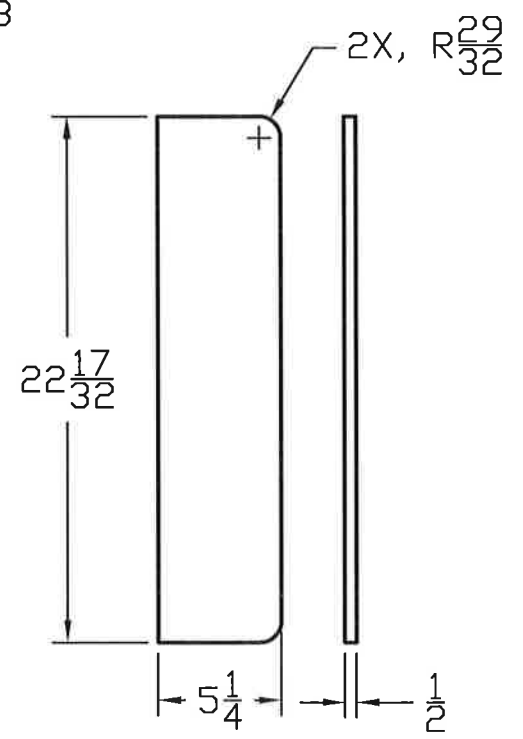


2X, PL "1"
SCALE 1/8

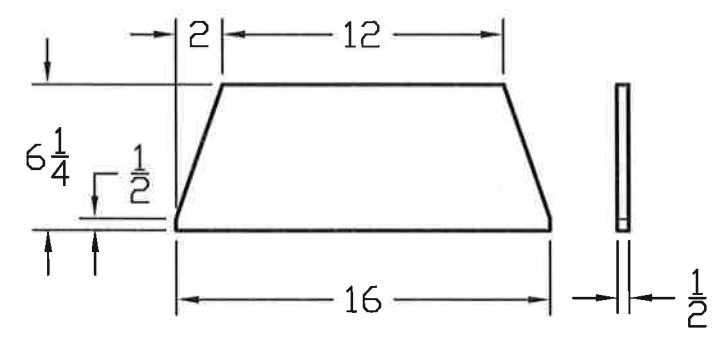
2X, PL "2"
SCALE 1/8



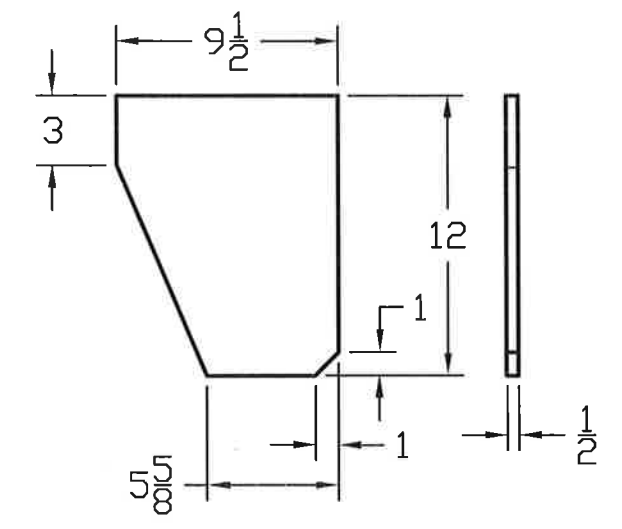
2X, PL "3"
SCALE 1/8



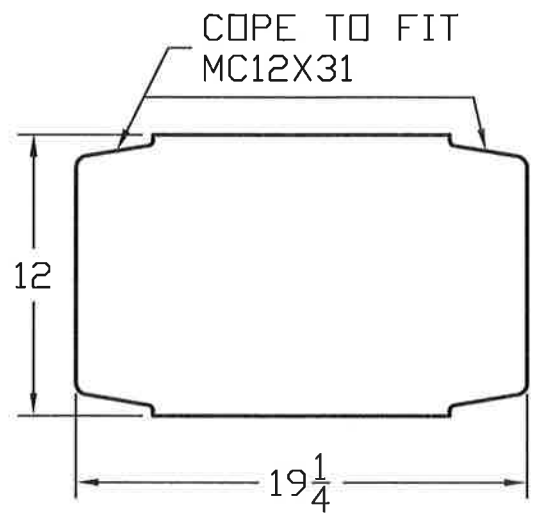
6X, PL "4"
SCALE 1/8



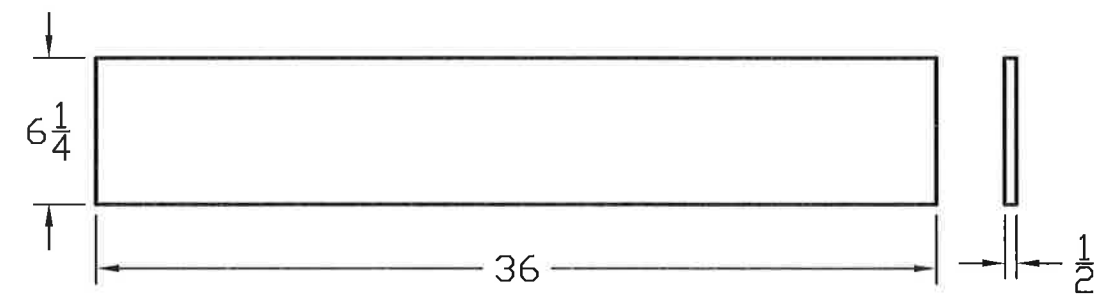
4X, PL "5"
SCALE 1/8



2X, PL "6"
SCALE 1/8



PL "7"
SCALE 1/8

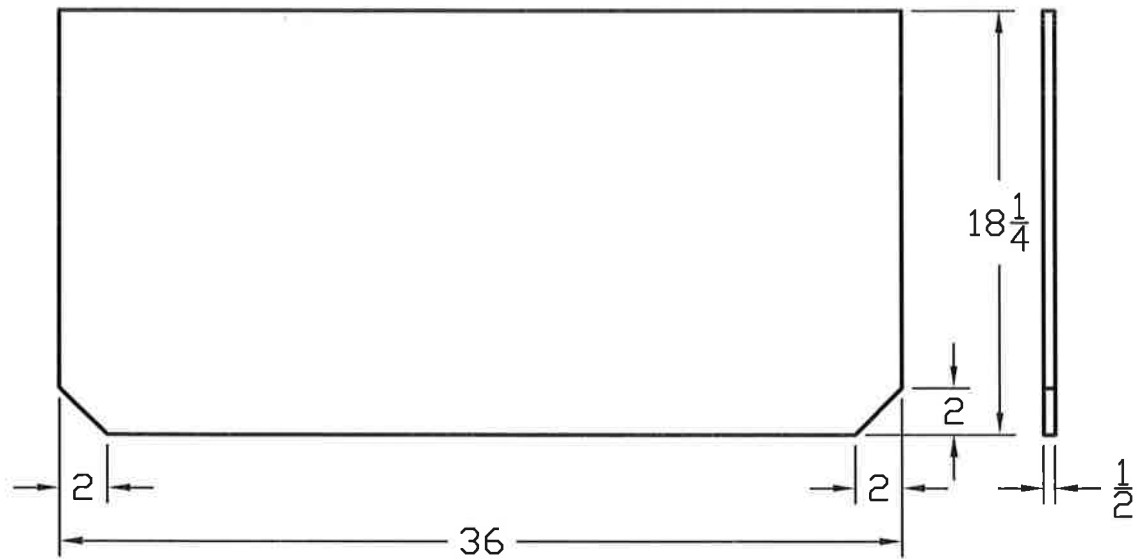


PL "8"
SCALE 1/8

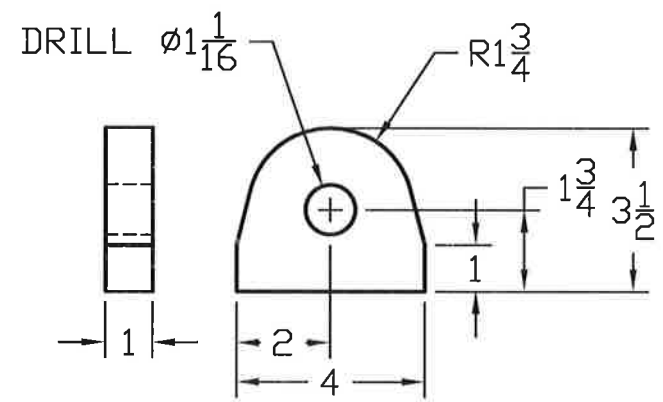
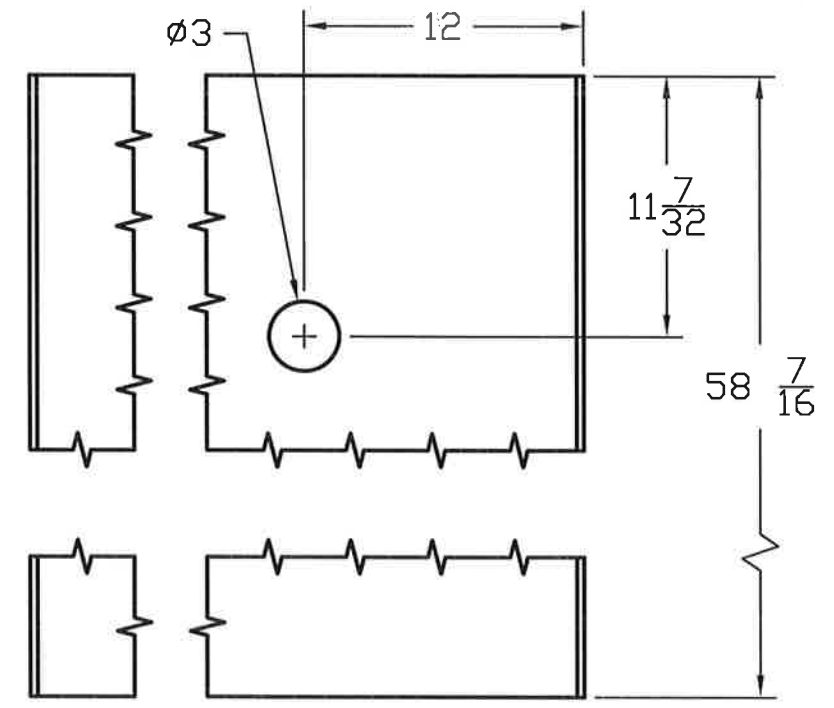
RECORD DRAWING

These compiled engineering as-built record drawings are a compilation of a copy of the original sealed engineering design drawings for this project, modified by addenda, change orders and information furnished by the contractor. The information shown on these compiled engineering as-built record drawings that was provided by the contractor or others not associated with me cannot be verified for accuracy or completeness. My compilation of this information does not relieve the contractor of responsibility for errors resultant to incorrect, incomplete or omitted data on the contractor's as-built record drawings - nor does it relieve the contractor of responsibility for non-conformance with the original contract documents. The original sealed engineering drawings are on file in the offices of Providence Engineering and Design, LLC. The professional engineer was Louis E. Rouflier, III with License Number 28852. (January 5, 2017)

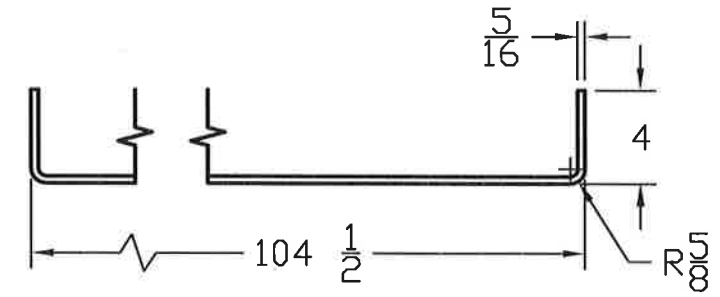
DRAWN	SIZE B	CAGE NO.	DWG NO. SCH209	REV. A
CHECKED	SCALE NOTED		SHEET 6 OF 8	



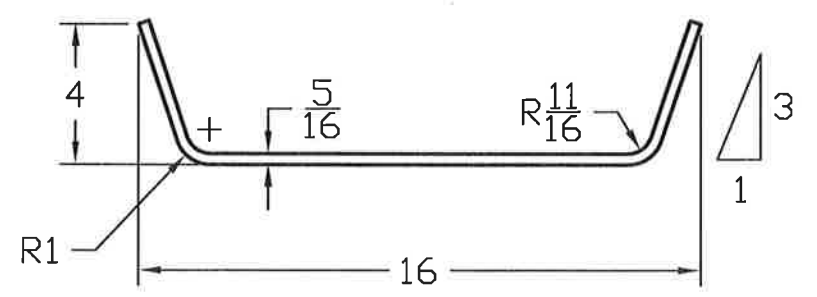
PL "9"
SCALE 1/8



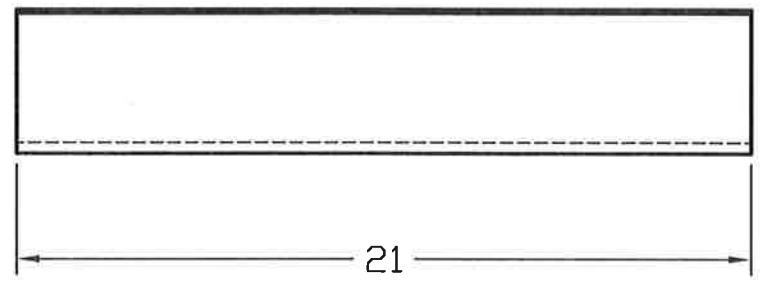
2X, LIFT EYE
SCALE 1/4



PL "10"
SCALE 1/8



PL "11"
SCALE 3/16

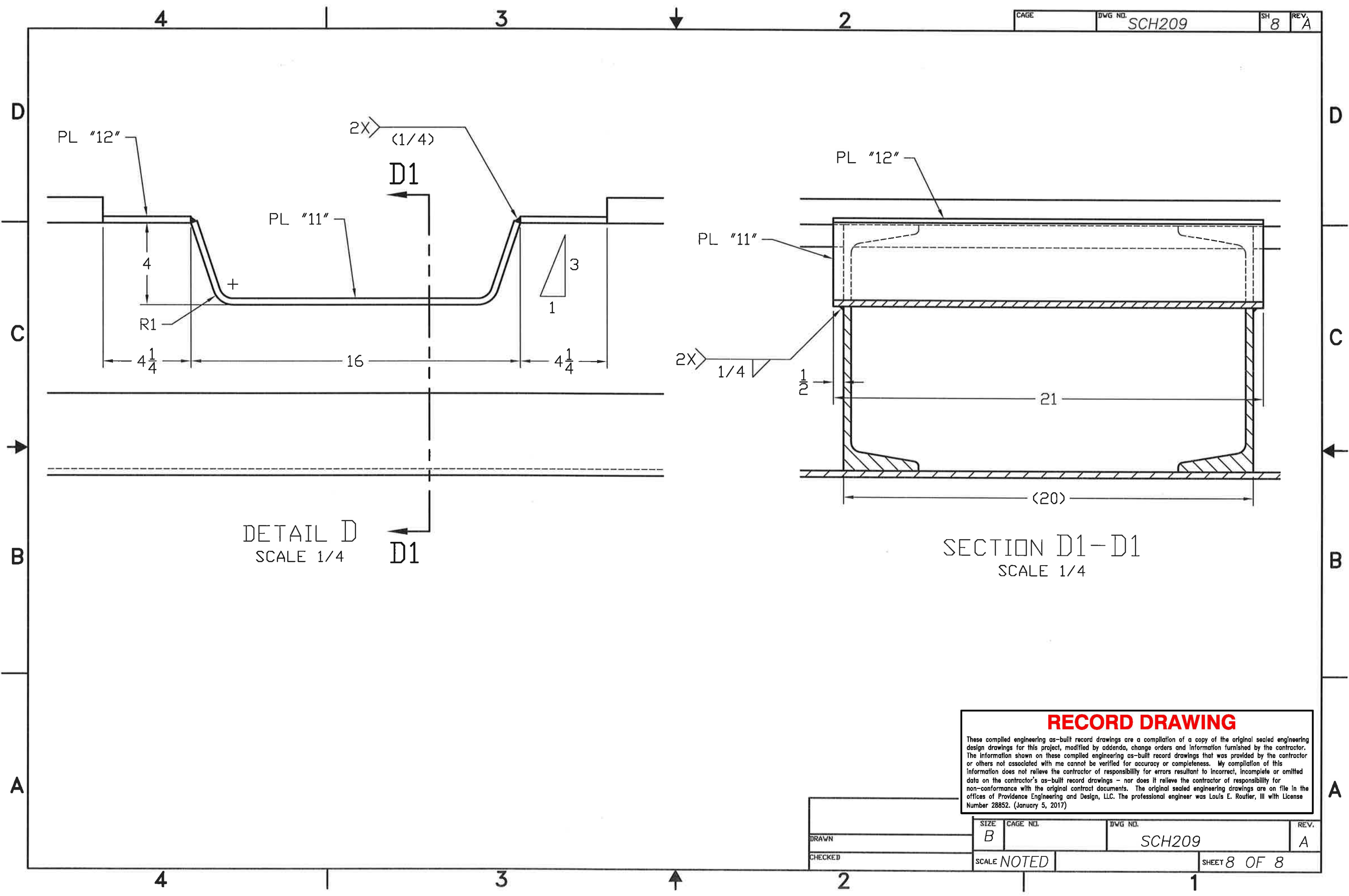


PL "12"
SCALE 3/16

RECORD DRAWING

These compiled engineering as-built record drawings are a compilation of a copy of the original sealed engineering design drawings for this project, modified by addenda, change orders and information furnished by the contractor. The information shown on these compiled engineering as-built record drawings that was provided by the contractor or others not associated with me cannot be verified for accuracy or completeness. My compilation of this information does not relieve the contractor of responsibility for errors resultant to incorrect, incomplete or omitted data on the contractor's as-built record drawings - nor does it relieve the contractor of responsibility for non-conformance with the original contract documents. The original sealed engineering drawings are on file in the offices of Providence Engineering and Design, LLC. The professional engineer was Louis E. Rautler, III with License Number 28852. (January 5, 2017)

DRAWN	SIZE	CAGE NO.	DWG NO.	REV.
	B		SCH209	A
CHECKED	SCALE NOTED		SHEET 7 OF 8	



DETAIL D
SCALE 1/4

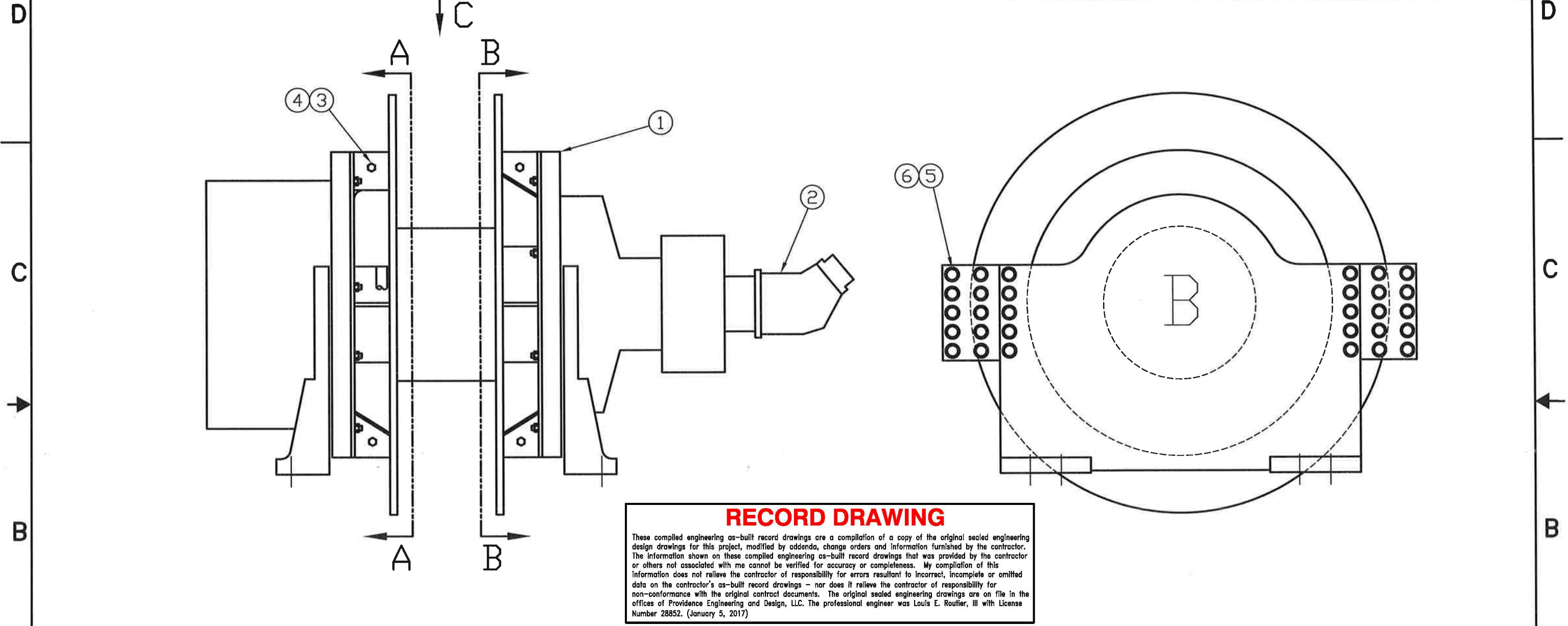
SECTION D1-D1
SCALE 1/4

RECORD DRAWING

These compiled engineering as-built record drawings are a compilation of a copy of the original sealed engineering design drawings for this project, modified by addenda, change orders and information furnished by the contractor. The information shown on these compiled engineering as-built record drawings that was provided by the contractor or others not associated with me cannot be verified for accuracy or completeness. My compilation of this information does not relieve the contractor of responsibility for errors resultant to incorrect, incomplete or omitted data on the contractor's as-built record drawings - nor does it relieve the contractor of responsibility for non-conformance with the original contract documents. The original sealed engineering drawings are on file in the offices of Providence Engineering and Design, LLC. The professional engineer was Louis E. Routier, III with License Number 28852. (January 5, 2017)

DRAWN	SIZE B	CAGE NO.	DWG NO. SCH209	REV. A
CHECKED	SCALE NOTED		SHEET 8 OF 8	

REVISIONS				
ZONE	LTR	DESCRIPTION	DATE	APPROVED
	A	MOD TO WINCH	3/3/16	



RECORD DRAWING

These compiled engineering as-built record drawings are a compilation of a copy of the original sealed engineering design drawings for this project, modified by addenda, change orders and information furnished by the contractor. The information shown on these compiled engineering as-built record drawings that was provided by the contractor or others not associated with me cannot be verified for accuracy or completeness. My compilation of this information does not relieve the contractor of responsibility for errors resultant to incorrect, incomplete or omitted data on the contractor's as-built record drawings - nor does it relieve the contractor of responsibility for non-conformance with the original contract documents. The original sealed engineering drawings are on file in the offices of Providence Engineering and Design, LLC. The professional engineer was Louis E. Rouffier, III with License Number 28852. (January 5, 2017)

PARTS LIST

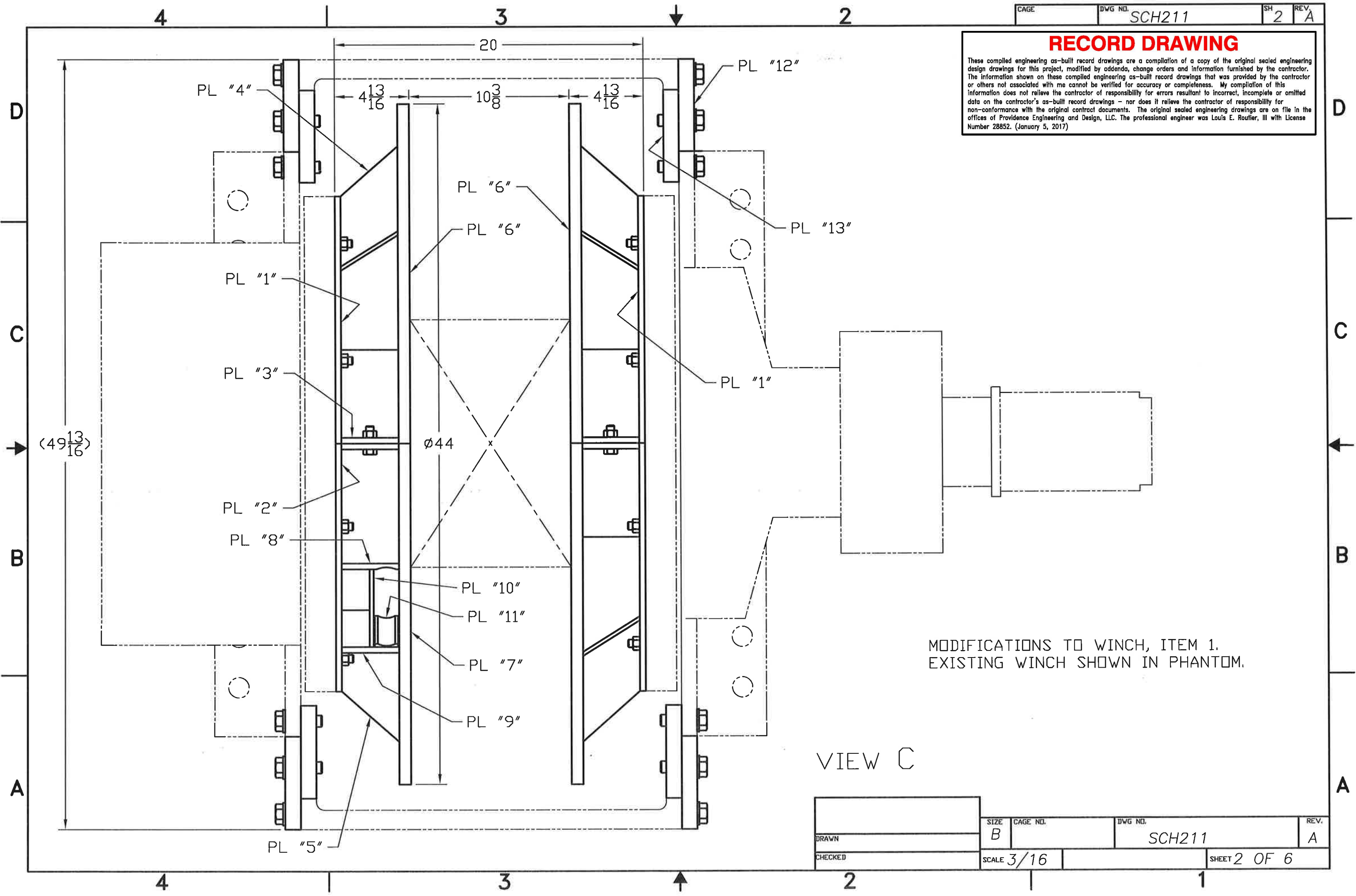
ITEM	QTY	PART NO.	DESCRIPTION
1	1	H75-7-191-1	PULLMASTER, WINCH MODEL H75
2	1	SCM-108W-V-I45-W45-S1U-100	SUNFAB, MOTOR, HYDRAULIC
3	24	COML	SCREW, HEX HD CAP, 1/2-13 UNC X 1.5"L, GRADE 8
4	24	COML	NUT, HEX 1/2-13 UNC, ASTM A563
5	60	COML	SCREW, HEX HD CAP, 3/4-10 UNC X 2.50"L, GRADE 8
6	60	COML	WASHER, 3/4", ASTM F436

- NOTES:**
- WELDING IN A/W AWS D1.1.
 - MATL: ASTM A36 OR EQUAL.

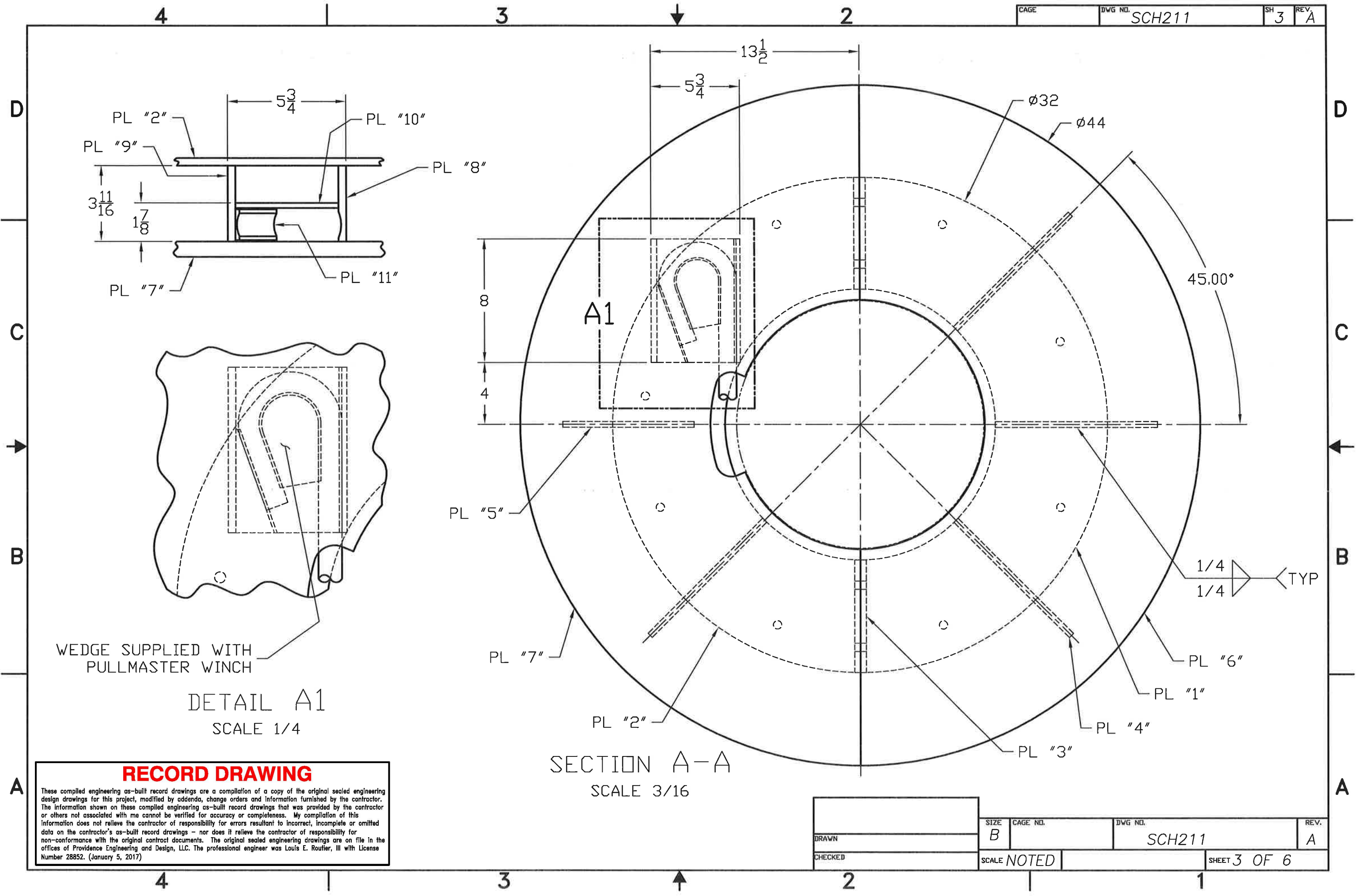
REMOVE ALL SHARP EDGES/DEBURR	CONTRACT NO.	SOUTHERN CRANE & HYDRAULICS, INC. 3210 EARHART DR. HOUMA, LA 70363		
UNLESS OTHERWISE SPECIFIED DIMENSIONS ARE IN INCHES. TOLERANCES ARE: FRACTIONS ANGLES DECIMALS +/-1/16 +/- .5' .XX+/- .03 .XXX+/- .005	APPROVALS	DATE	TITLE	
	DRAWN		WINCH B	
	CHECKED		SIZE	REV.
DO NOT SCALE DRAWING	ENGR		B	A
TREATMENT	DESIGN ACTIVITY		CAGE NO.	DWG NO.
FINISH			SCH211	
		SCALE 1/10	JOB NO.	SHEET 1 OF 6

RECORD DRAWING

These compiled engineering as-built record drawings are a compilation of a copy of the original sealed engineering design drawings for this project, modified by addenda, change orders and information furnished by the contractor. The information shown on these compiled engineering as-built record drawings that was provided by the contractor or others not associated with me cannot be verified for accuracy or completeness. My compilation of this information does not relieve the contractor of responsibility for errors resultant to incorrect, incomplete or omitted data on the contractor's as-built record drawings - nor does it relieve the contractor of responsibility for non-conformance with the original contract documents. The original sealed engineering drawings are on file in the offices of Providence Engineering and Design, LLC. The professional engineer was Louis E. Routier, III with License Number 28852. (January 5, 2017)



DRAWN	SIZE B	CAGE NO.	DWG NO. SCH211	REV. A
CHECKED	SCALE 3/16		SHEET 2 OF 6	



WEDGE SUPPLIED WITH PULLMASTER WINCH

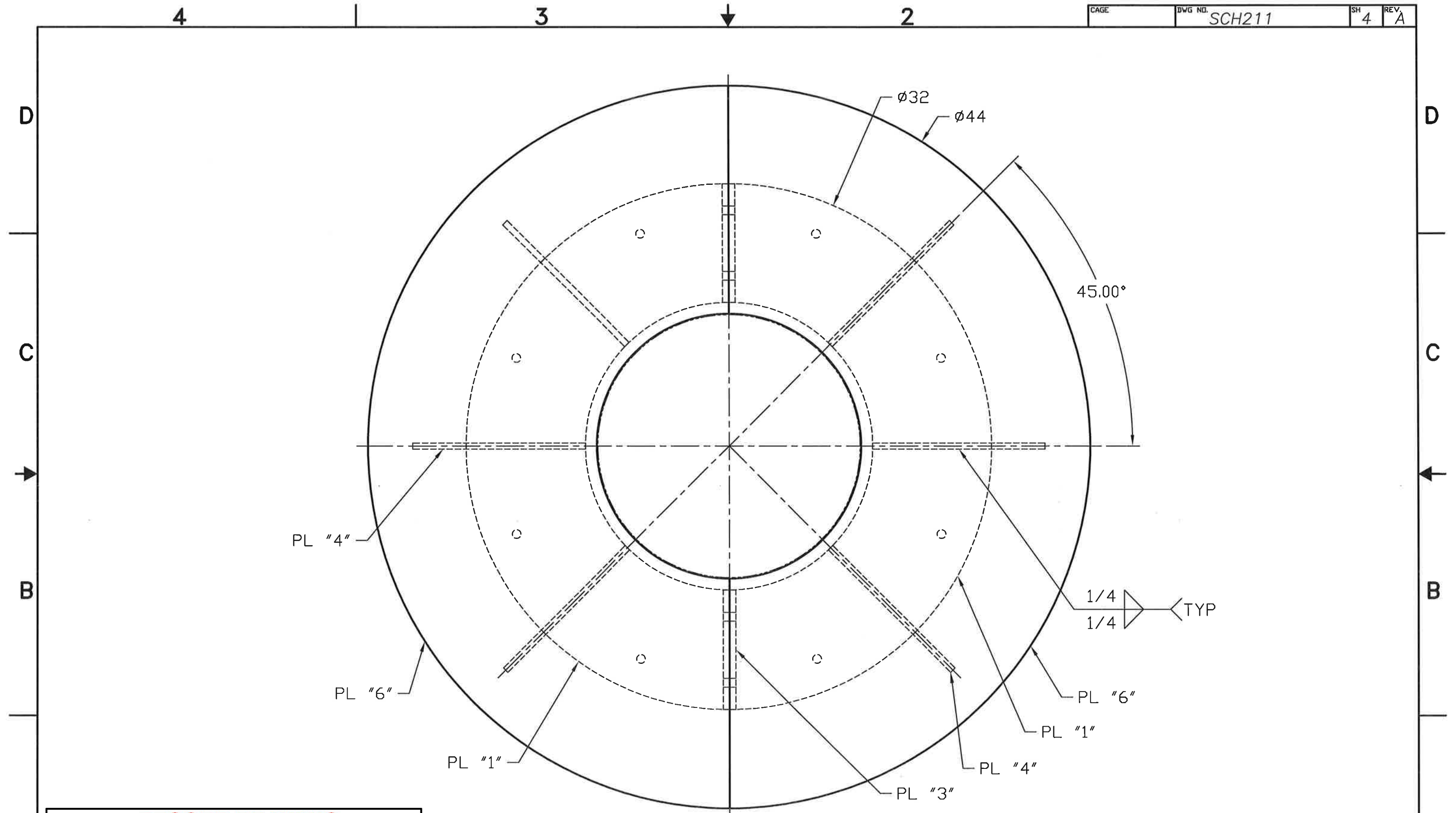
DETAIL A1
SCALE 1/4

SECTION A-A
SCALE 3/16

RECORD DRAWING

These compiled engineering as-built record drawings are a compilation of a copy of the original sealed engineering design drawings for this project, modified by addenda, change orders and information furnished by the contractor. The information shown on these compiled engineering as-built record drawings that was provided by the contractor or others not associated with me cannot be verified for accuracy or completeness. My compilation of this information does not relieve the contractor of responsibility for errors resultant to incorrect, incomplete or omitted data on the contractor's as-built record drawings - nor does it relieve the contractor of responsibility for non-conformance with the original contract documents. The original sealed engineering drawings are on file in the offices of Providence Engineering and Design, LLC. The professional engineer was Louis E. Roufiter, III with License Number 28852. (January 5, 2017)

DRAWN	SIZE	CAGE NO.	DWG NO.	REV.
	B		SCH211	A
CHECKED	SCALE NOTED		SHEET 3 OF 6	

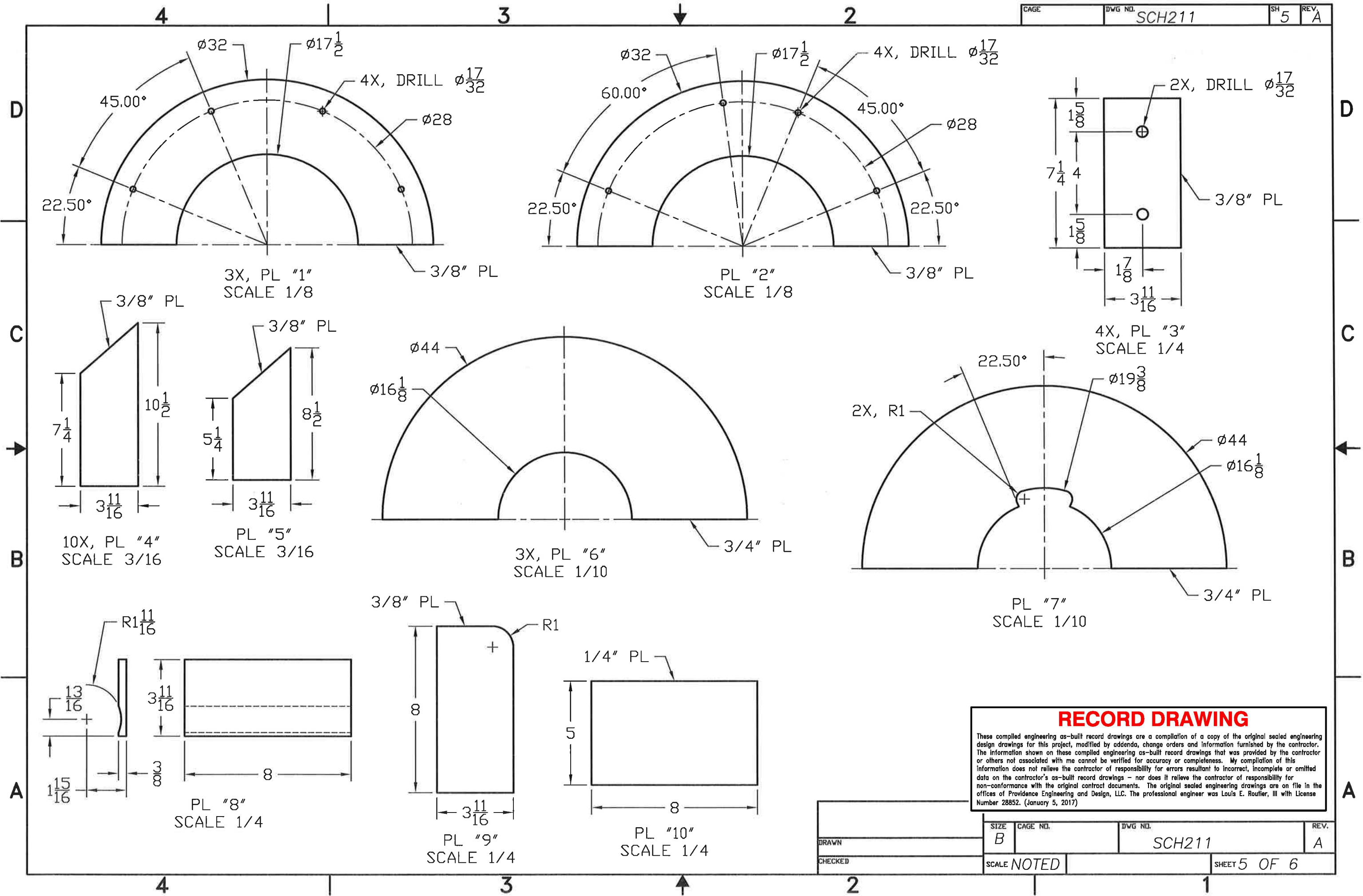


RECORD DRAWING

These compiled engineering as-built record drawings are a compilation of a copy of the original sealed engineering design drawings for this project, modified by addenda, change orders and information furnished by the contractor. The information shown on these compiled engineering as-built record drawings that was provided by the contractor or others not associated with me cannot be verified for accuracy or completeness. My compilation of this information does not relieve the contractor of responsibility for errors resultant to incorrect, incomplete or omitted data on the contractor's as-built record drawings - nor does it relieve the contractor of responsibility for non-conformance with the original contract documents. The original sealed engineering drawings are on file in the offices of Providence Engineering and Design, LLC. The professional engineer was Louis E. Roufier, III with License Number 28852. (January 5, 2017)

SECTION B-B
SCALE 3/16

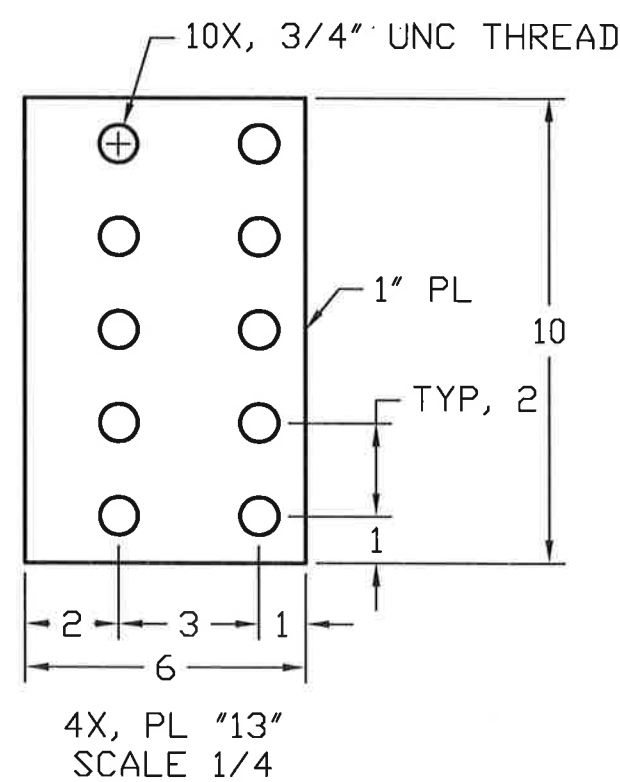
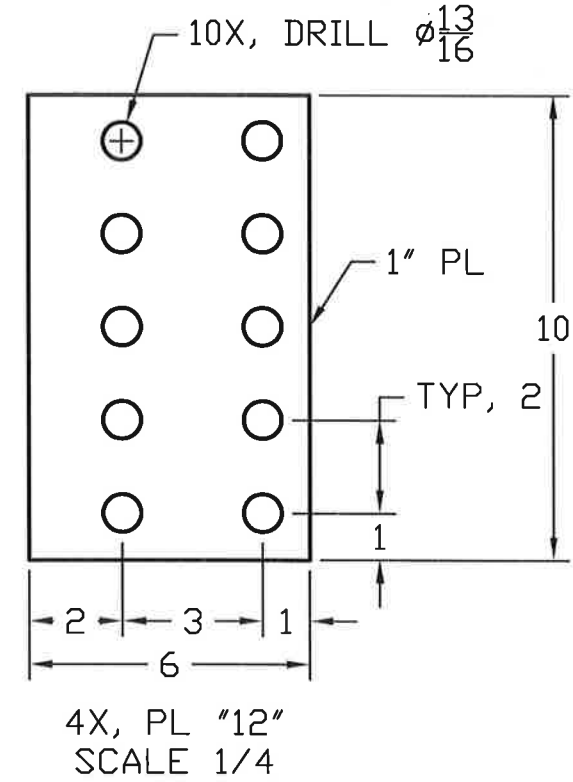
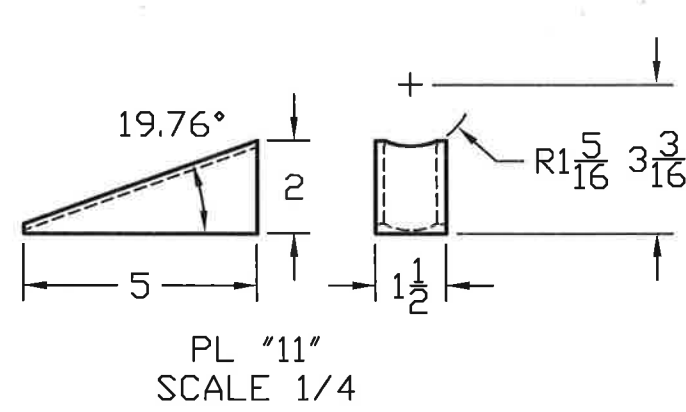
DRAWN	SIZE B	CAGE NO.	DWG NO. SCH211	REV. A
CHECKED	SCALE NOTED		SHEET 4 OF 6	



RECORD DRAWING

These compiled engineering as-built record drawings are a compilation of a copy of the original sealed engineering design drawings for this project, modified by addenda, change orders and information furnished by the contractor. The information shown on these compiled engineering as-built record drawings that was provided by the contractor or others not associated with me cannot be verified for accuracy or completeness. My compilation of this information does not relieve the contractor of responsibility for errors resultant to incorrect, incomplete or omitted data on the contractor's as-built record drawings - nor does it relieve the contractor of responsibility for non-conformance with the original contract documents. The original sealed engineering drawings are on file in the offices of Providence Engineering and Design, LLC. The professional engineer was Louis E. Roulter, III with License Number 28852. (January 5, 2017)

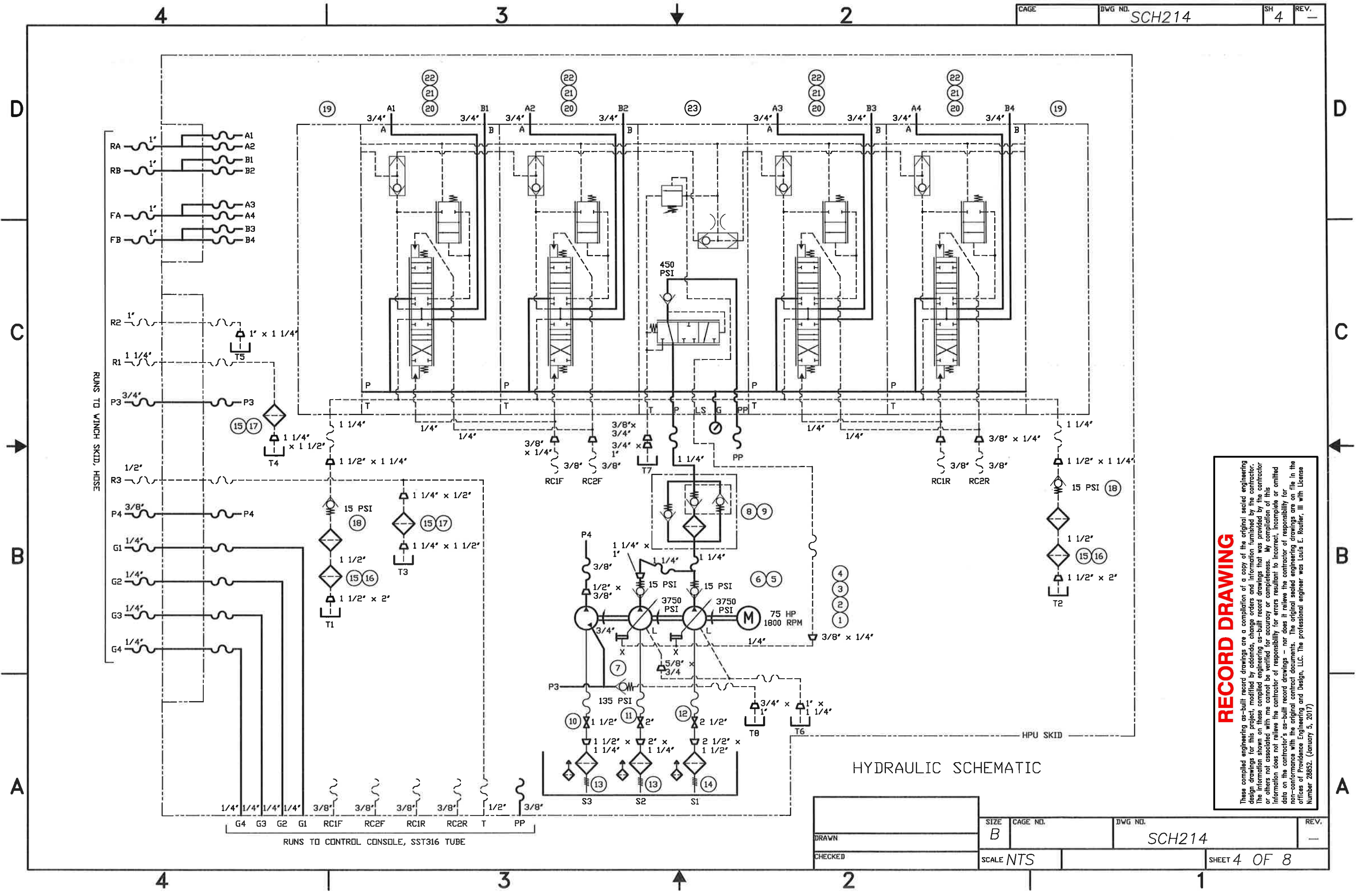
SIZE	CAGE NO.	DWG NO.	REV.
B		SCH211	A
DRAWN		SCALE NOTED	
CHECKED		SHEET 5 OF 6	



RECORD DRAWING

These compiled engineering as-built record drawings are a compilation of a copy of the original sealed engineering design drawings for this project, modified by addenda, change orders and information furnished by the contractor. The information shown on these compiled engineering as-built record drawings that was provided by the contractor or others not associated with me cannot be verified for accuracy or completeness. My compilation of this information does not relieve the contractor of responsibility for errors resultant to incorrect, incomplete or omitted data on the contractor's as-built record drawings - nor does it relieve the contractor of responsibility for non-conformance with the original contract documents. The original sealed engineering drawings are on file in the offices of Providence Engineering and Design, LLC. The professional engineer was Louis E. Routier, III with License Number 28852. (January 5, 2017)

DRAWN	SIZE B	CAGE NO.	DWG NO. SCH211	REV. A
CHECKED	SCALE NOTED		SHEET 6 OF 6	

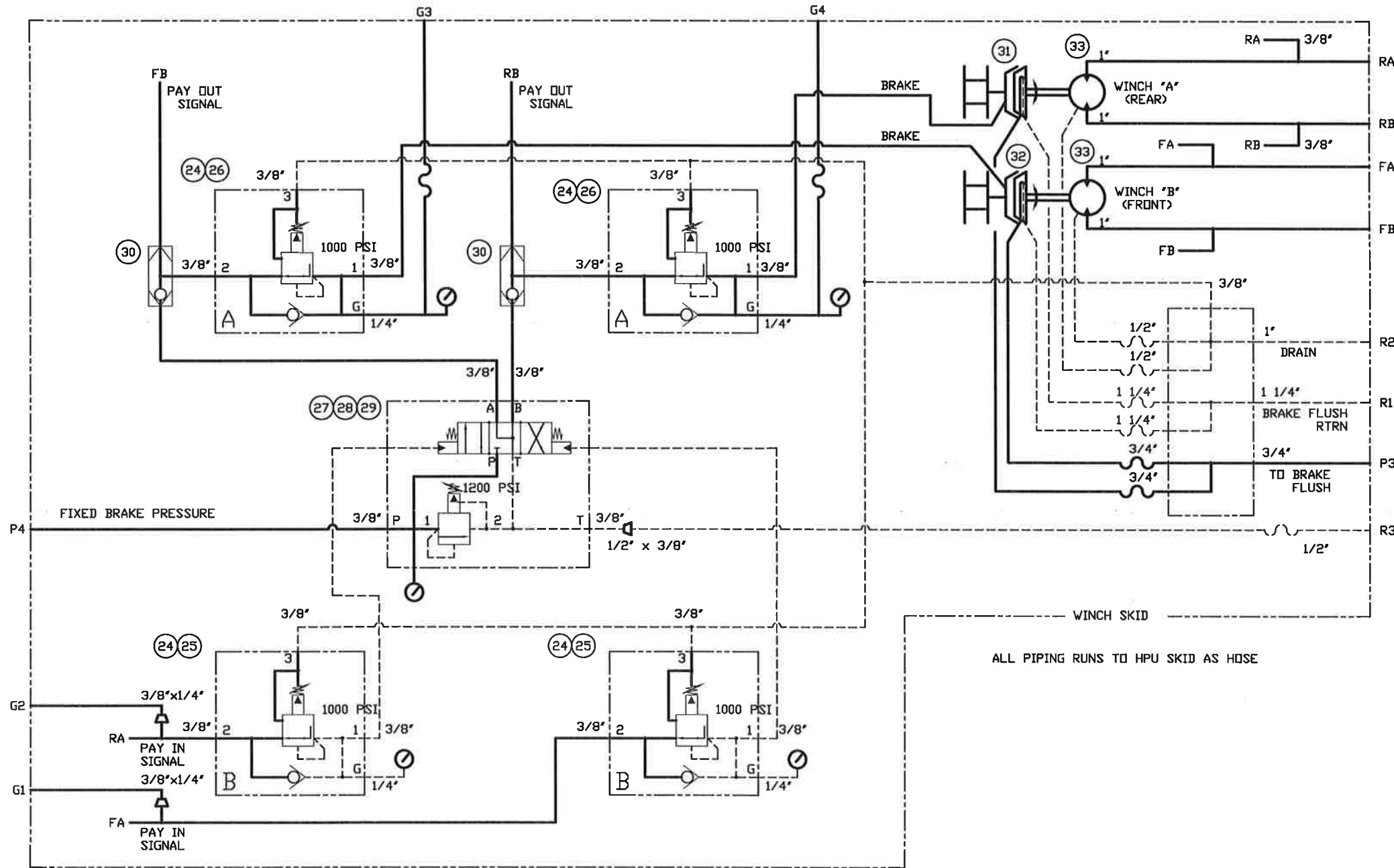


RECORD DRAWING

These compiled engineering as-built record drawings are a compilation of a copy of the original sealed engineering design drawings for this project, modified by adding, change orders and information furnished by the contractor. The information shown on these compiled engineering as-built record drawings that was provided by the contractor or others not associated with me cannot be verified for accuracy or completeness. My completion of this information does not relieve the contractor of responsibility for errors resultant to incorrect, incomplete or omitted data on the contractor's as-built record drawings - nor does it relieve the contractor of responsibility for non-conformance with the original contract documents. The original sealed engineering drawings are on file in the offices of Providence Engineering and Design, LLC. The professional engineer was Louis E. Roulter, III with License Number 28852. (January 5, 2017)

HYDRAULIC SCHEMATIC

SIZE	CAGE NO.	DWG NO.	REV.
B		SCH214	-
DRAWN	SCALE NTS		
CHECKED	SHEET 4 OF 8		



ALL PIPING RUNS TO HPU SKID AS HOSE

WINCH SKID

RECORD DRAWING

These compiled engineering as-built record drawings are a compilation of a copy of the original sealed engineering design drawings for this project, modified by addenda, change orders and information furnished by the contractor. The information shown on these compiled engineering as-built record drawings that was provided by the contractor or others not associated with me cannot be verified for accuracy or completeness. My compilation of this information does not relieve the contractor of responsibility for errors resultant to incorrect, incomplete or omitted data on the contractor's as-built record drawings - nor does it relieve the contractor of responsibility for non-conformance with the original contract documents. The original sealed engineering drawings are on file in the offices of Providence Engineering and Design, LLC. The professional engineer was Louis E. Rouffier, III with License Number 28852. (January 5, 2017)

HYDRAULIC SCHEMATIC

DRAWN	SIZE	CAGE NO.	DWG NO.	REV.
	B		SCH214	-
CHECKED	SCALE NTS		SHEET 5 OF 8	

4

3

2

CAGE

DWG NO.

SCH214

SH

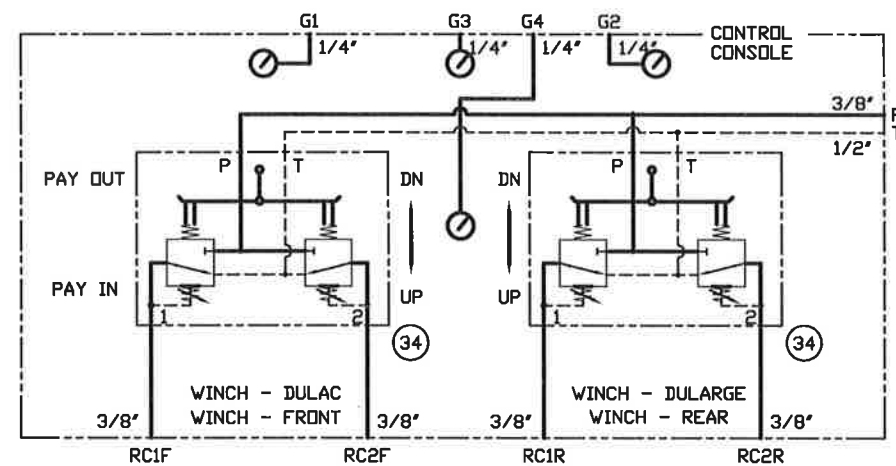
6

REV.

-

RECORD DRAWING

These compiled engineering as-built record drawings are a compilation of a copy of the original sealed engineering design drawings for this project, modified by addenda, change orders and information furnished by the contractor. The information shown on these compiled engineering as-built record drawings that was provided by the contractor or others not associated with me cannot be verified for accuracy or completeness. My compilation of this information does not relieve the contractor of responsibility for errors resultant to incorrect, incomplete or omitted data on the contractor's as-built record drawings - nor does it relieve the contractor of responsibility for non-conformance with the original contract documents. The original sealed engineering drawings are on file in the offices of Providence Engineering and Design, LLC. The professional engineer was Louis E. Roufier, III with License Number 28852. (January 5, 2017)



ALL PIPING RUNS TO HPU SKID AS TUBE

HYDRAULIC SCHEMATIC

DRAWN	SIZE	CAGE NO.	DWG NO.	REV.
	B		SCH214	-
CHECKED	SCALE NTS		SHEET 6 OF 8	

4

3

2

1

4

3

2

CAGE DWG NO. SCH214 SH 7 REV. -

RECORD DRAWING

These compiled engineering as-built record drawings are a compilation of a copy of the original sealed engineering design drawings for this project, modified by addenda, change orders and information furnished by the contractor. The information shown on these compiled engineering as-built record drawings that was provided by the contractor or others not associated with me cannot be verified for accuracy or completeness. My compilation of this information does not relieve the contractor of responsibility for errors resultant to incorrect, incomplete or omitted data on the contractor's as-built record drawings - nor does it relieve the contractor of responsibility for non-conformance with the original contract documents. The original sealed engineering drawings are on file in the offices of Providence Engineering and Design, LLC. The professional engineer was Louis E. Roulter, III with License Number 28852. (January 5, 2017)

28	1	RPCC-LBN	CARTRIDGE	SUN HYDRAULICS
27	1	DG3V-36C-7S60	VALVE, DIRECTIONAL	EATON/PARKER
26	2	PPDB-DAN	CARTRIDGE	SUN HYDRAULICS
25	2	PPDB-LAN	CARTRIDGE	SUN HYDRAULICS
24	4	E3I	BODY	SUN HYDRAULICS
23	1	11133047	SECTION, PUMP INLET, PVPVM	DANFOSS
22	4	157B0007	COVER, B-PORT, PVH	DANFOSS
21	4	157B3171	COVER, A-PORT, PVM	DANFOSS
20	4	161B6650	SECTION, SPOOL, PVB	DANFOSS
19	2	161B2520	SECTION, TANK, PVT	DANFOSS
18	2	CVH151500S	VALVE, CHECK	CVH
17	2	P167294	HEAD, FILTER, (SINGLE)	DONALDSON
16	2	P169985	HEAD, FILTER, (DUAL)	DONALDSON
15	6	P179763	ELEMENT, FILTER	DONALDSON
14	1	SEH-30-1.500-100	STRAINER, SUCTION	DONALDSON
13	2	SEH-20-1.250-100	STRAINER, SUCTION	DONALDSON
12	1	COML	VALVE, 2 1/2" BRZ GATE, CLASS 125, FNPT	
11	1	COML	VALVE, 2" BRZ GATE, CLASS 125, FNPT	
10	1	COML	VALVE, 1 1/2" BRZ GATE, CLASS 125, FNPT	
9	1	HP3204A10ANP01	ELEMENT, FILTER	MPFILTRI
8	1	FMP3204BAG6A10ANP01	FILTER	MPFILTRI
7	1	CVH135-0750S	VALVE, CHECK	CVH
6	1	ICFT-A-6216-N15	VALVE, CHECK	INSERTA
5	1	ICFT-A-6220-N15	VALVE, CHECK	INSERTA
4	1	V2010-1F6S1S-11CC-12	PUMP, VANE	VICKERS
3	1	A10VS-0-071-DFLR-R-P-S-C-62K02	PUMP, PISTON	GENUINE METARIS
2	1	A10VS-0-100-DFLR-R-P-S-C-62K07	PUMP, PISTON	GENUINE METARIS
1	1	HHi75-18-365TC	MOTOR, 75 HP, 1800 RPM, TEFC	WORLDWIDE
ITEM	QTY	PART NUMBER	DESCRIPTION	REMARKS

PARTS LIST

NOTES:

- ITEMS 19-23 MAKE UP DANFOSS ASSY NO. 161F5400 AS TAGGED.

DRAWN	SIZE B	CAGE NO.	DWG NO. SCH214	REV. -
CHECKED	SCALE NONE	SHEET 7 OF 8		

4

3

2

CAGE

DWG NO.

SCH214

SH

8

REV.

-

RECORD DRAWING

These compiled engineering as-built record drawings are a compilation of a copy of the original sealed engineering design drawings for this project, modified by addenda, change orders and information furnished by the contractor. The information shown on these compiled engineering as-built record drawings that was provided by the contractor or others not associated with me cannot be verified for accuracy or completeness. My compilation of this information does not relieve the contractor of responsibility for errors resultant to incorrect, incomplete or omitted data on the contractor's as-built record drawings - nor does it relieve the contractor of responsibility for non-conformance with the original contract documents. The original sealed engineering drawings are on file in the offices of Providence Engineering and Design, LLC. The professional engineer was Louis E. Routier, III with License Number 28852. (January 5, 2017)

35	1	3656K724	HEATER	MCMaster-CARR
34	2	RCM	VALVE, JOYSTICK CONTROL	HYDRO CONTROL
33	2	SCM-108W-V-I45-W45-S1U-100	MOTOR	SUNFAB
32	1	H75-7-191-1	WINCH "B", DWG SCH211	PULLMASTER
31	1	H75-7-191-1	WINCH "A", DWG SCH212	PULLMASTER
30	2	DSV3-8-B-S6T	VALVE, SHUTTLE	EATON
29	1	Z2E	SUBPLATE	SUN HYDRAULICS
ITEM	QTY	PART NUMBER	DESCRIPTION	REMARKS

PARTS LIST

DRAWN	B	SIZE	CAGE NO.	DWG NO.	REV.
				SCH214	-
CHECKED	SCALE	NTS		SHEET 8 OF 8	

D

C

B

A

D

C

B

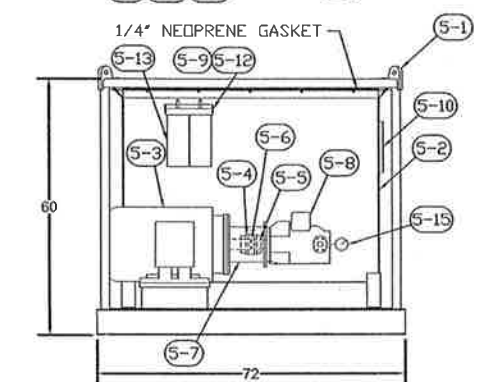
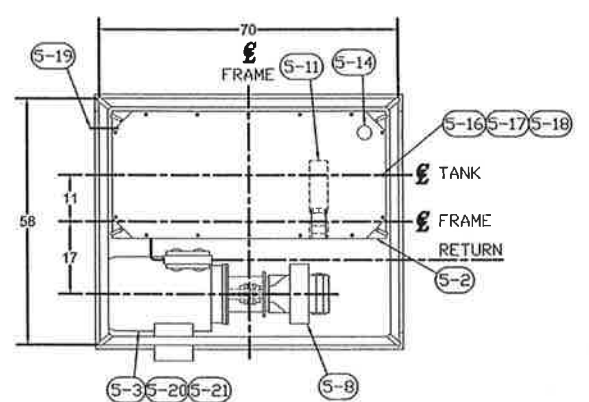
A

4

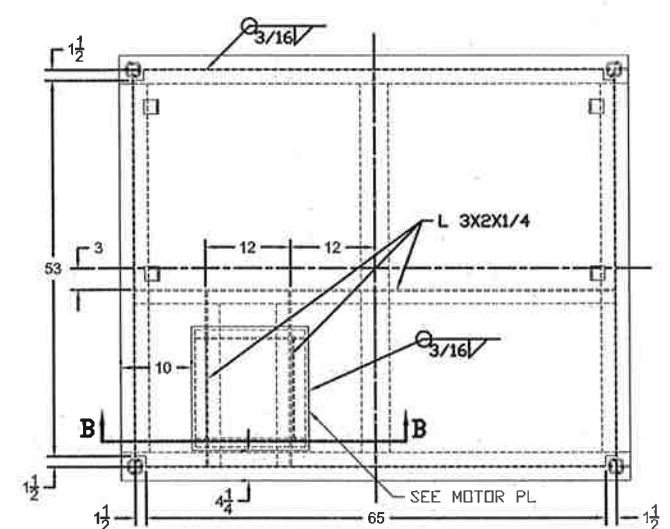
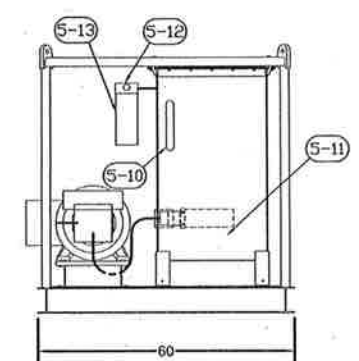
3

2

1



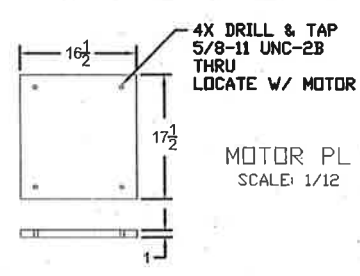
ITEM 5-WINCH HPU
SCALE 1/20



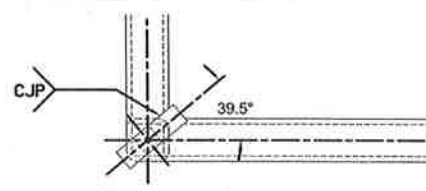
SECTION A-A
SCALE 1/12

ITEM	QTY	PART NUMBER	DESCRIPTION
5-21	4	CDML	LOCK WASHER, 5/8"
5-20	4	CDML	SCREW, HEX HD CAP, 5/8 UNC X 2"L, A325
5-19	1	ARMTD-3305E2T1	OIL HEATER, CHRDMALDX
5-18	14	CDML	SCREW, HEX HD CAP, 1/4-20 UNC X 1.25"L, STL
5-17	14	CDML	NUT, HEX 1/4-20 UNC, ASTM A563
5-16	28	CDML	WASHER, 1/4", ASTM F436
5-15	1	LG-A-14	GAUGE, PRESSURE, ZINGA
5-14	1	WSFB10-4S-DL	FILLER BREATHER, ZINGA
5-13	2	ZLE-10	FILTER ELEMENT, ZINGA
5-12	1	MF	HEAD, SPIN-ON FILTER, ZINGA
5-11	1	XS-300-0-0	STRAINER, ZINGA
5-10	1	SG-10A-T-G	GAUGE, LEVEL WITH THERMOMETER, ZINGA
5-9	2	CT-20L	GAUGE, FILTER, ZINGA
5-8	1	AA4VSO180LR2D/30R-PSD63N00	PUMP, BOSCH REXROTH CORP. (SET AT 75 HP)
5-7	1	S3249124D	MOUNT, PUMP/MOTOR, MAGNALDY
5-6	1	MS70U	INSERT, MAGNALDY
5-5	1	M500A1508	COUPLING, SPLINE HALF, MAGNALDY
5-4	1	M50021220	COUPLING, KEYED HALF, MAGNALDY
5-3	1	WWHT75-18-365TC	MOTOR, WORLDWIDE ELECTRIC CORP.
5-2	1	SEE DETAIL	TANK, 255 GAL, ALUMINUM
5-1	1	SEE DETAIL	SKID

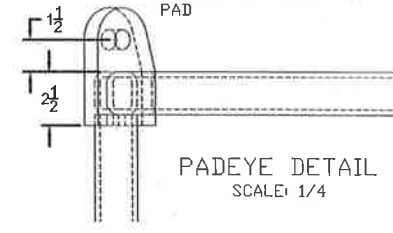
PARTS LISTS (WINCH HPU)



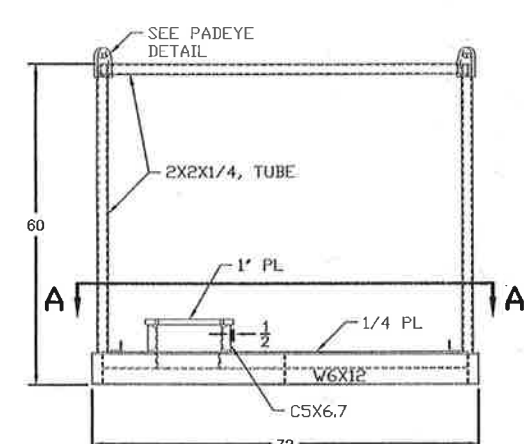
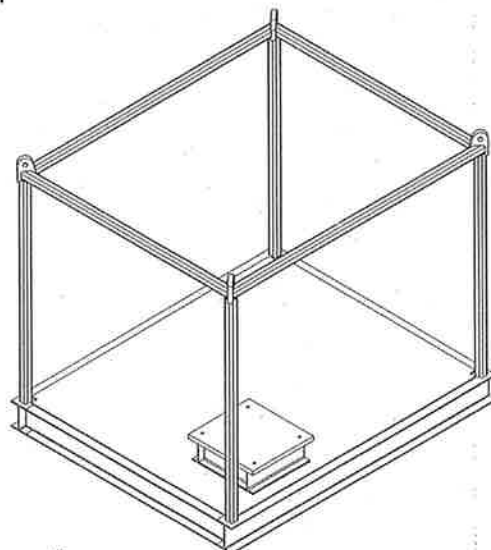
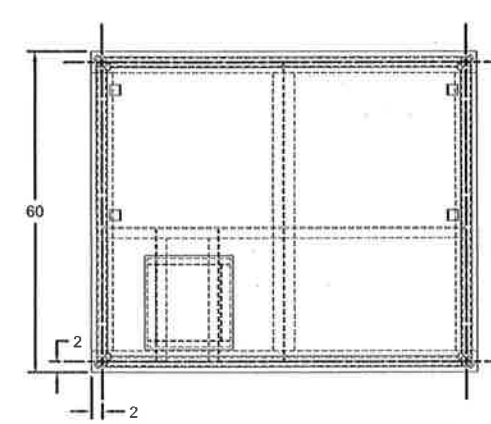
MOTOR PL
SCALE 1/12



PADEYE DETAIL
SCALE 1/4



PADEYE DETAIL
SCALE 1/4
4 REQD



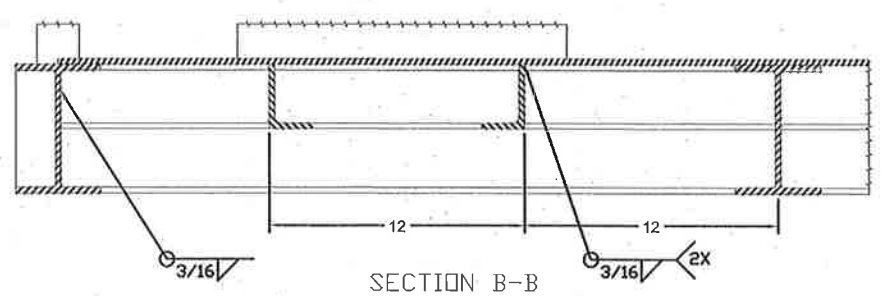
ITEM 5-1
SCALE 1/16

- NOTES:
1. WELDING IN A/W AWS D11.
 2. ALL WELD JOINTS 100% PENETRATION UNLESS OTHERWISE SPECIFIED.
 3. SEAL WELD ALL CRACKS.
 4. EST WEIGHT 3,000 LBS DRY, 4,800 LBS WET.
 5. PIPE RUNS TO BE SUBMITTED BY THE CONTRACTOR FOR APPROVAL.
 6. FASTENERS AT PUMP TO MOTOR PER MFR. RECOMMENDATIONS.

- MATERIAL, UNLESS OTHERWISE SPECIFIED:
1. TUBING: ASTM A500 GR B
 2. W BEAMS: ASTM A992
 3. PLATES: ASTM A36

RECORD DRAWING

These compiled engineering as-built record drawings are a compilation of a copy of the original sealed engineering design drawings for this project, modified by addenda, change orders and information furnished by the contractor. The information shown on these compiled engineering as-built record drawings that was provided by the contractor or others not associated with me cannot be verified for accuracy or completeness. My compilation of this information does not relieve the contractor of responsibility for errors resultant to incorrect, incomplete or omitted data on the contractor's as-built record drawings - nor does it relieve the contractor of responsibility for non-conformance with the original contract documents. The original sealed engineering drawings are on file in the offices of Providence Engineering and Design, LLC. The professional engineer was Louis E. Routier, III with License Number 28852. (January 5, 2017)



SECTION B-B
SCALE 1/4

CADD FILE NAME:
FILE NAME:

REVISIONS:

DATE:

REMARKS:

PROVIDENCE/
GSE Associates, LLC

1201 Main St.
Newport, LA 70053
(504) 878-4338
Fax: (504) 878-4337

DATE: NOV. 15, 2013
SCALE: AS SHOWN
PLOT SCALE: 1:1
JOB NO: 441-057-GSE

DESIGNED BY: LER
DRAWN BY: EMV
CHECKED BY: LER

OWNER: Terrebonne Parish Consolidated Government
Terrebonne Parish, Louisiana

JOB: FALGOUT CANAL PONTOON BRIDGE REPLACEMENT
OPERATING MACHINERY

SHEET NO. M3
3 OF 10

LIST OF PARTS NOT DETAILED			
ITEM	QTY	PART NUMBER	DESCRIPTION
6-1	4	P50494-3	AIR VALVE, MODEL H-2-FX, REXROTH
6-2	4	P59331	AIR VALVE, MODEL 2-HA-1, REXROTH
6-3	1	PD20031-0087	EMER STOP, WABCO
6-4	1	P48026	GAGE, REXROTH

REVISIONS	DATE	BY	DESCRIPTION

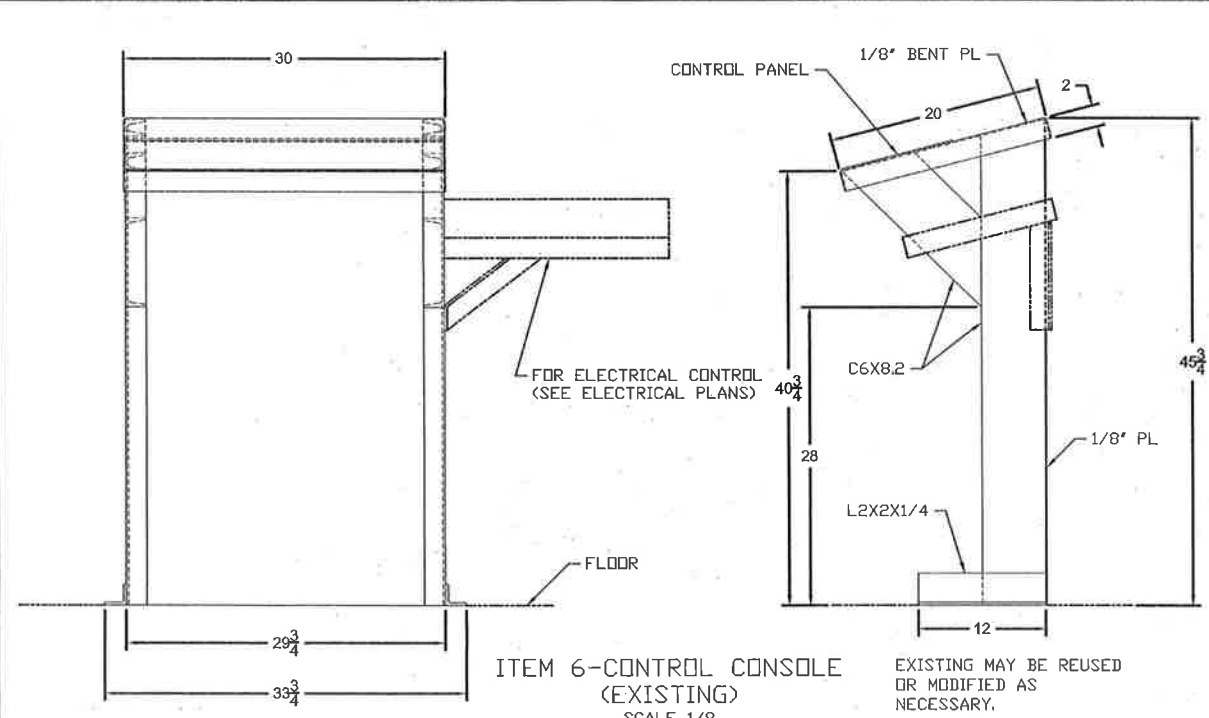


PROVIDENCE/ GSE Associates, LLC
 991 Grand Central Ave. Ste. 1201
 Metairie, LA 70002 (225) 885-4280
 2315 N. Woodlawn Ave. Ste. 201
 Metairie, LA 70001 (504) 885-7400
 ENGINEERS • ARCHITECTS • PLANNERS • SURVEYORS

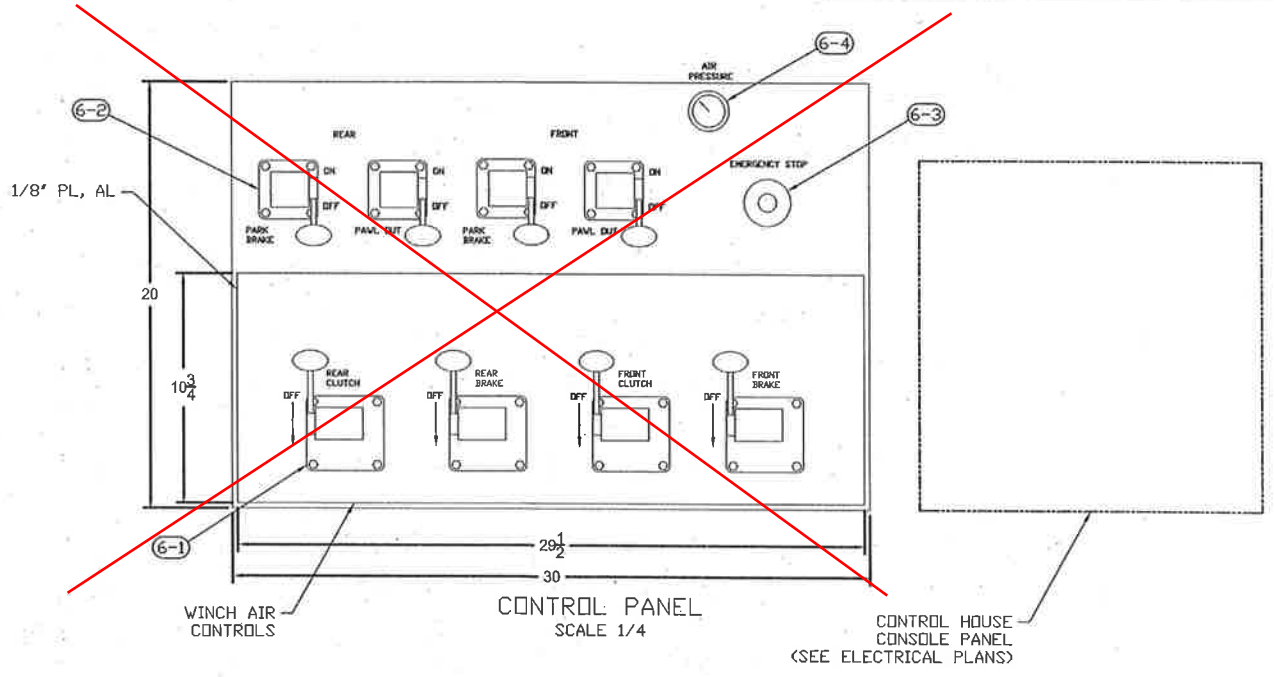
DATE	NOV. 15, 2013
SCALE	AS SHOWN
PLOT SCALE	1:1
JOB NO.	441-057-GSE
DESIGNED BY:	LER
DRAWN BY:	ENV
CHECKED BY:	LER

JOB: FALGOUT CANAL PONTOON BRIDGE REPLACEMENT
 OPERATING MACHINERY
 OWNER: Terrebonne Parish Consolidated Government
 Terrebonne Parish, Louisiana

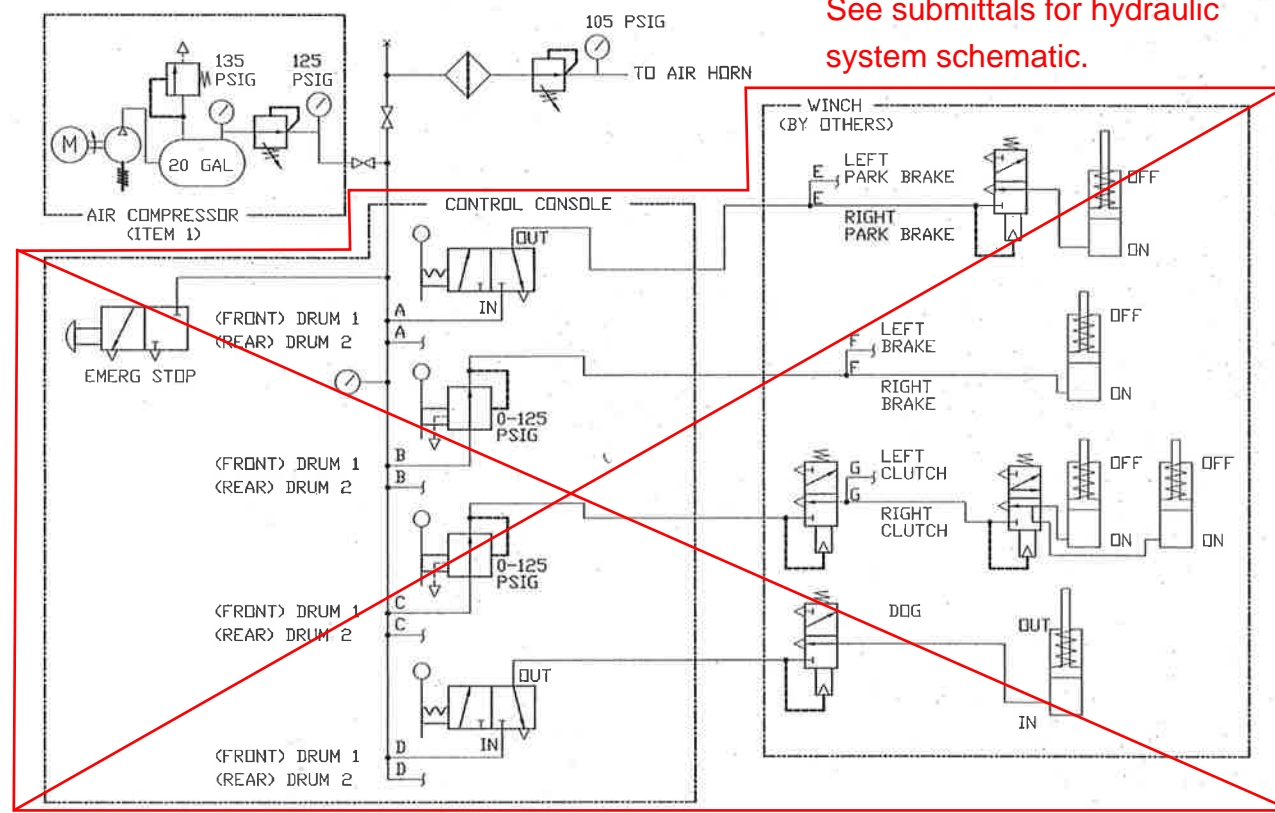
SHEET NO. **M5**
 5 OF 10



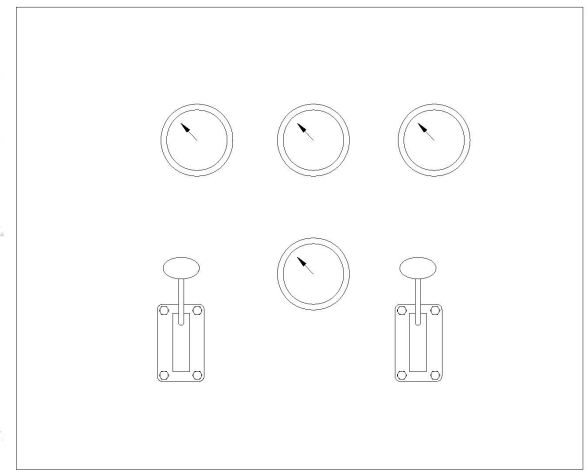
ITEM 6-CONTROL CONSOLE (EXISTING) SCALE 1/8
 EXISTING MAY BE REUSED OR MODIFIED AS NECESSARY.



CONTROL PANEL SCALE 1/4
 CONTROL HOUSE CONSOLE PANEL (SEE ELECTRICAL PLANS)

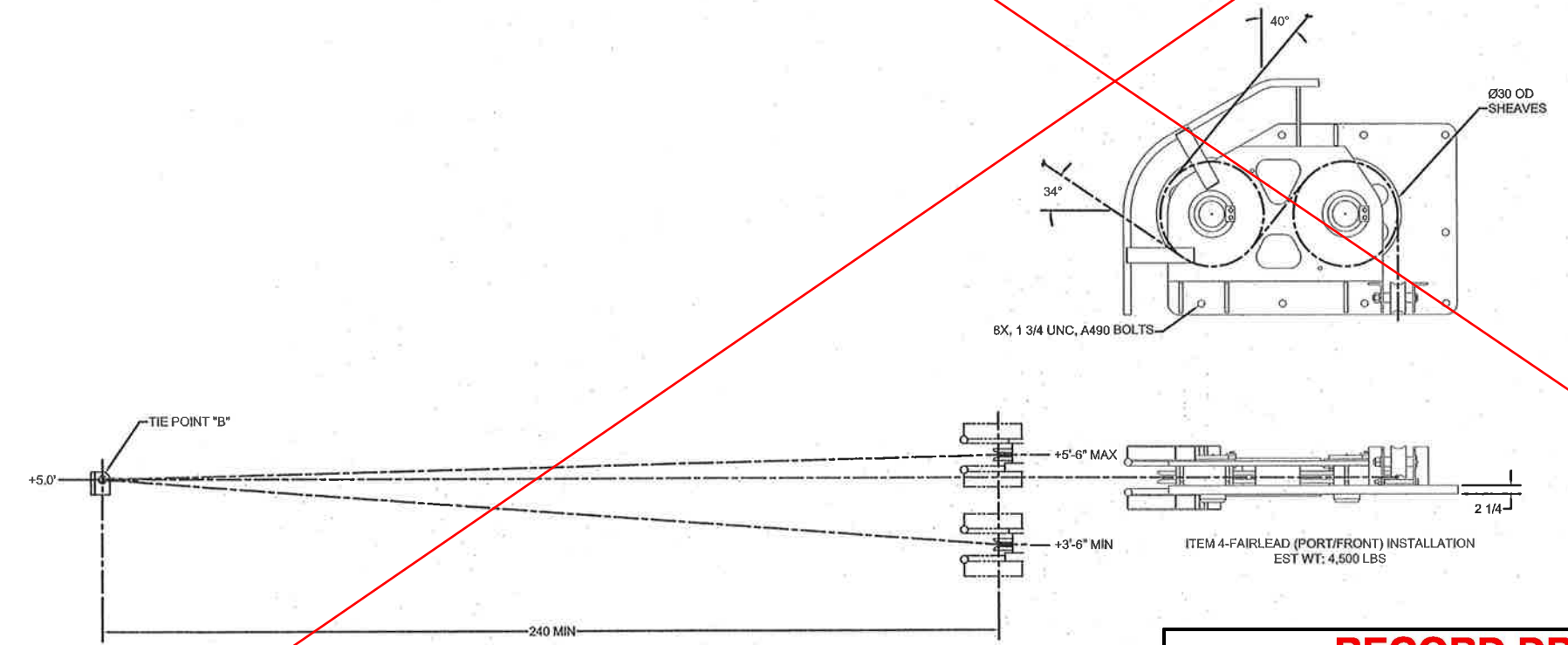
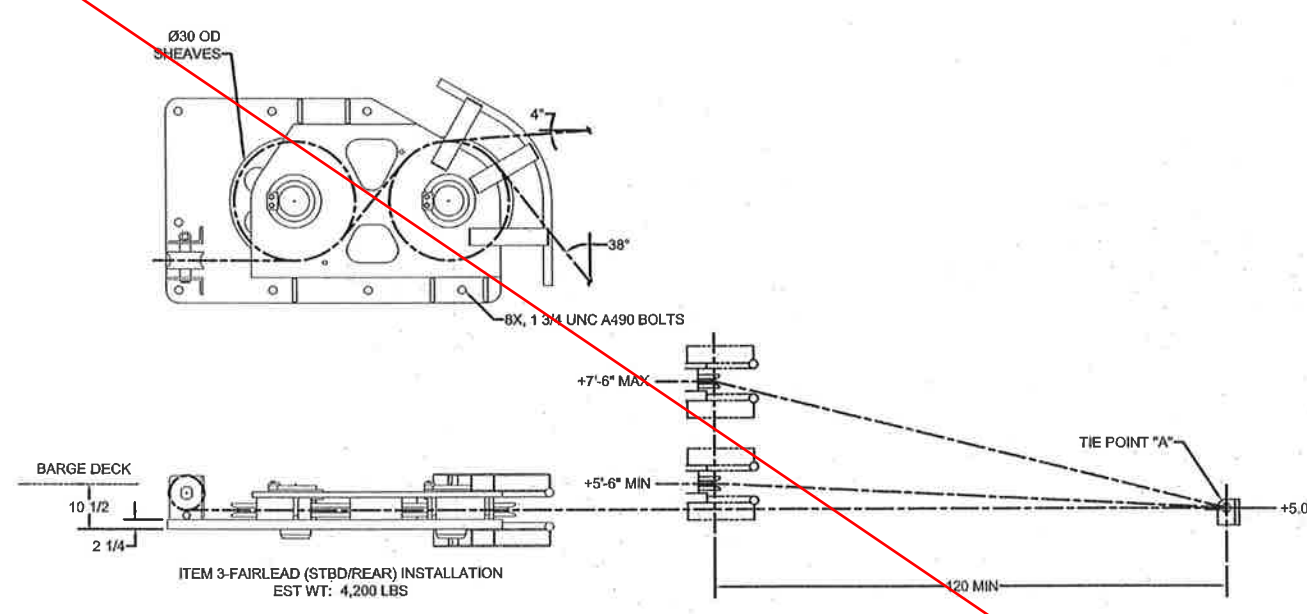


PNEUMATIC SYSTEM / WINCH CONTROLS NOT TO SCALE



RECORD DRAWING
 These compiled engineering as-built record drawings are a compilation of a copy of the original sealed engineering design drawings for this project, modified by addenda, change orders and information furnished by the contractor. The information shown on these compiled engineering as-built record drawings that was provided by the contractor or others not associated with me cannot be verified for accuracy or completeness. My compilation of this information does not relieve the contractor of responsibility for errors resultant to incorrect, incomplete or omitted data on the contractor's as-built record drawings - nor does it relieve the contractor of responsibility for non-conformance with the original contract documents. The original sealed engineering drawings are on file in the offices of Providence Engineering and Design, LLC. The professional engineer was Louis E. Routier, III with License Number 28852. (January 5, 2017)

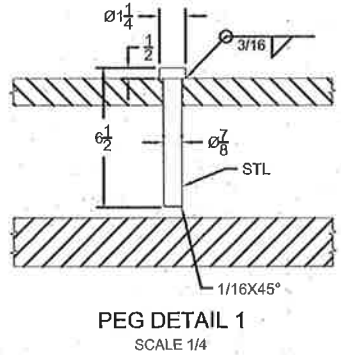
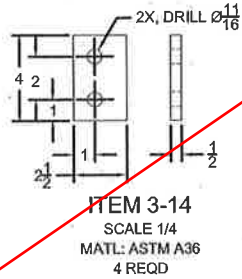
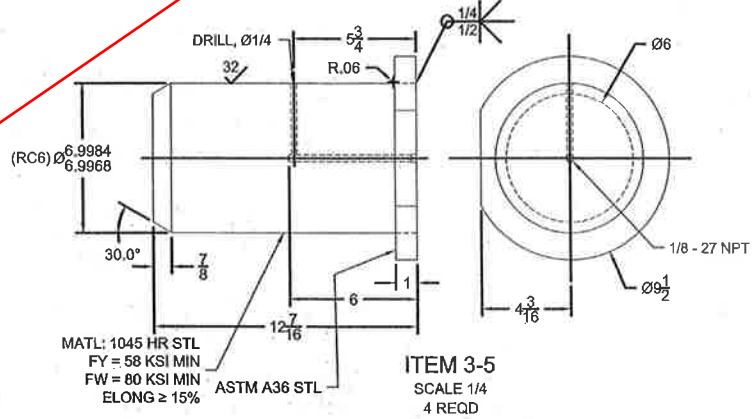
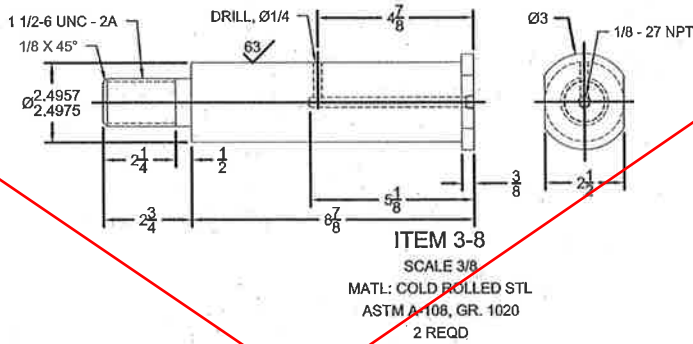
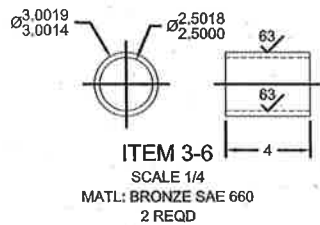
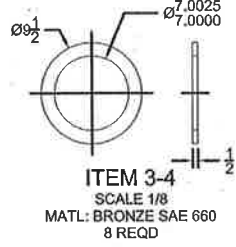
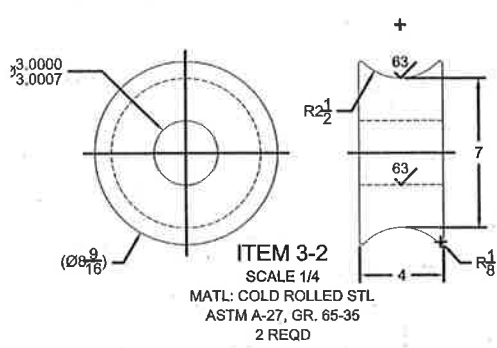
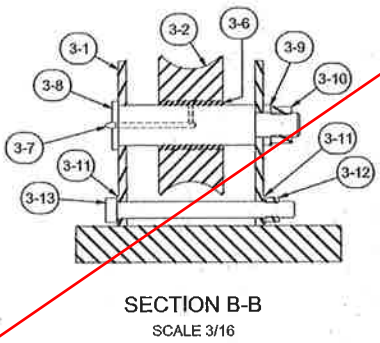
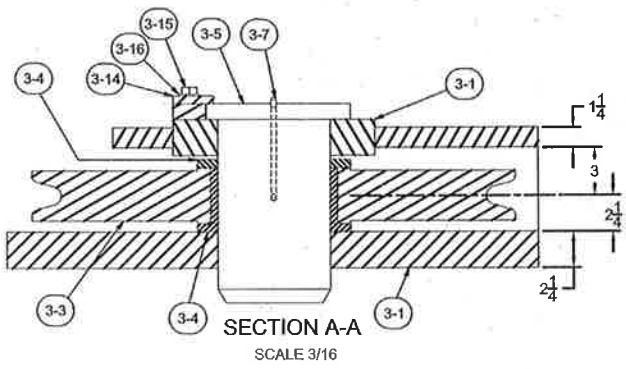
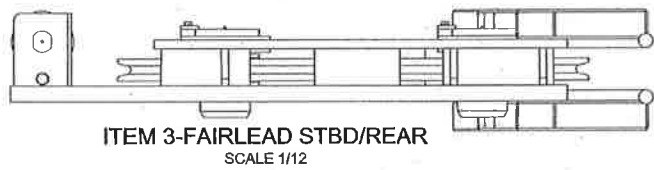
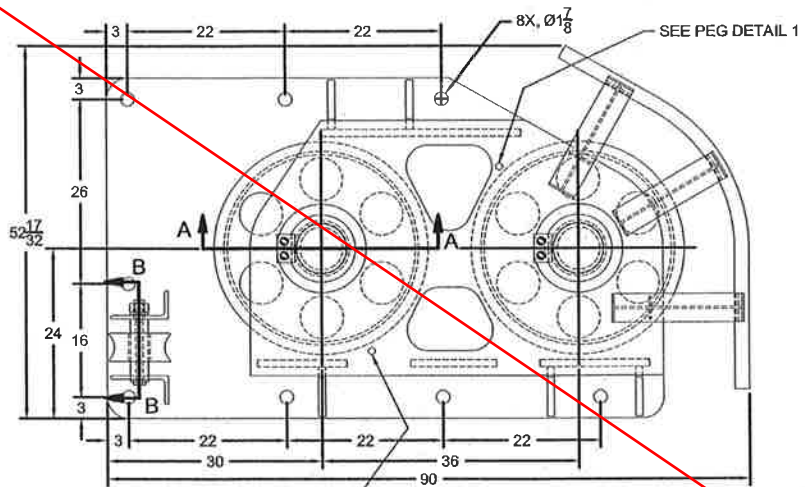
NOTES:
 1. AIR PIPING DETAILS TO BE SUBMITTED BY THE CONTRACTOR FOR APPROVAL.



RECORD DRAWING

These compiled engineering as-built record drawings are a compilation of a copy of the original sealed engineering design drawings for this project, modified by addenda, change orders and information furnished by the contractor. The information shown on these compiled engineering as-built record drawings that was provided by the contractor or others not associated with me cannot be verified for accuracy or completeness. My compilation of this information does not relieve the contractor of responsibility for errors resultant to incorrect, incomplete or omitted data on the contractor's as-built record drawings - nor does it relieve the contractor of responsibility for non-conformance with the original contract documents. The original sealed engineering drawings are on file in the offices of Providence Engineering and Design, LLC. The professional engineer was Louis E. Roufier, III with License Number 28852. (January 5, 2017)

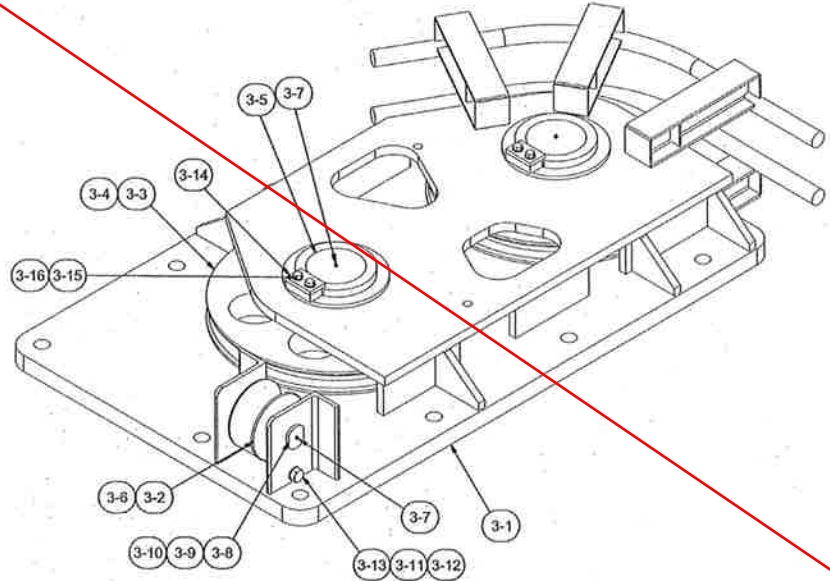
CADD FILE NAME:	
FILE NAME:	
REVISIONS	APFD
REMARKS:	
DATE:	
PROVIDENCE/ GSE Associates, LLC <small>221 Canal Center Rd New Orleans, LA 70002 (504) 835-1100 www.providencegse.com</small>	
DATE:	NOV. 15, 2013
SCALE:	1:20
PLOT SCALE:	1:1
JOB NO.:	441-057-GSE
DESIGNED BY:	LER
DRAWN BY:	EMV
CHECKED BY:	LER
JOB:	FALGOUT CANAL PONTOON BRIDGE REPLACEMENT OPERATING MACHINERY
OWNER:	Terrebonne Parish Consolidated Government Terrebonne Parish, Louisiana
SHEET NO.:	M6
	6 OF 10



LIST OF PARTS NOT DETAILED			
ITEM	QTY	PART NUMBER	DESCRIPTION
3-3	4	4105462	SHEAVE, 30°, CROSBY
3-7	6	COML	GREASE FITTINGS, 1/8" NPT
3-9	2	COML	WASHER, 1/2", LOCK
3-10	2	COML	NUT, HEX, 1 1/2-6 UNC, GR 5
3-11	4	COML	WASHER, 1"
3-12	2	COML	NUT, HEX, 1-8 UNC, GR 5
3-13	2	COML	SCREW, HEX HD CAP, 1-8 UNC X 1 1/4" L, GR 5
3-15	8	COML	SCREW, HEX HD CAP, 5/8-11 UNC X 1.5" L, GR 5
3-16	8	COML	WASHER, 5/8, LOCK

RECORD DRAWING

These compiled engineering as-built record drawings are a compilation of a copy of the original sealed engineering design drawings for this project, modified by addenda, change orders and information furnished by the contractor. The information shown on these compiled engineering as-built record drawings that was provided by the contractor or others not associated with me cannot be verified for accuracy or completeness. My compilation of this information does not relieve the contractor of responsibility for errors resultant to incorrect, incomplete or omitted data on the contractor's as-built record drawings - nor does it relieve the contractor of responsibility for non-conformance with the original contract documents. The original sealed engineering drawings are on file in the offices of Providence Engineering and Design, LLC. The professional engineer was Louis E. Routier, III with License Number 28852. (January 5, 2017)



CADD FILE NAME: _____
FILE NAME: _____

REVISIONS: _____

DATE: _____

REMARKS: _____

APPROVED: _____

PROVIDENCE/ GSE Associates, LLC
991 Grand Canal Rd
Metairie, LA 70001
(504) 885-4333
2315 W. Woodlawn
Metairie, LA 70001
Architects • Engineers • Planners • Surveyors

DATE: NOV. 15, 2013
SCALE: AS SHOWN
PLOT SCALE: 1:1
JOB NO. 441-057-GSE

DESIGNED BY: LER
DRAWN BY: EMW
CHECKED BY: LER

JOB: FALGOUT CANAL PONTOON BRIDGE REPLACEMENT
OPERATING MACHINERY
OWNER: Terrebonne Parish Consolidated Government
Terrebonne Parish, Louisiana

SHEET NO. **M7**
7 OF 10

LIST OF PARTS NOT DETAIL			
ITEM	QTY	PART NUMBER	DESCRIPTION
3-1-2	2	12 1/2 X 5 1/4	1" PL, ASTM A36
3-1-3	2	12 X 5 1/4	1" PL, ASTM A36
3-1-4	2	15 1/2 X 5 1/4	1" PL, ASTM A36
3-1-5	2	28 X 5 1/4	1" PL, ASTM A36
3-1-12	4	AISC - W 4x13 - 18	W-SHAPE, ASTM A992
3-1-13	2	AISC - W 4x13 - 18	W-SHAPE, ASTM A992
3-1-14	2	AISC - W 4x13 - 17	W-SHAPE, ASTM A992
3-1-15	20	3 1/2 X 1 1/2	1/4" PL, ASTM A36
3-1-16	10	3 11/16 X 4 1/16	1/4" PL, ASTM A36
3-1-17	5	3 1/6 X 4 1/16	1/4" PL, ASTM A36
3-1-18	5	3 7/16 X 4 1/16	1/4" PL, ASTM A36

DATE	REVISIONS	REMARKS



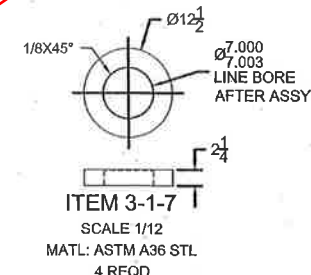
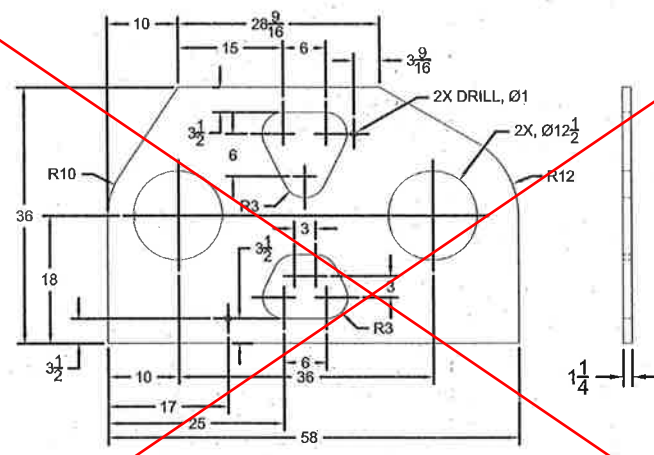
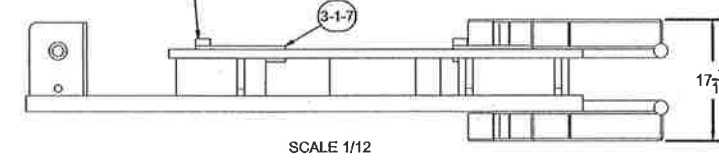
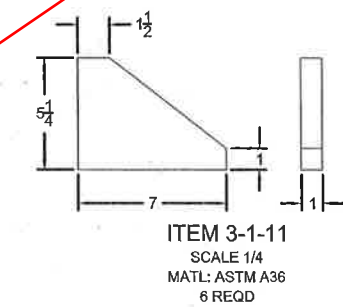
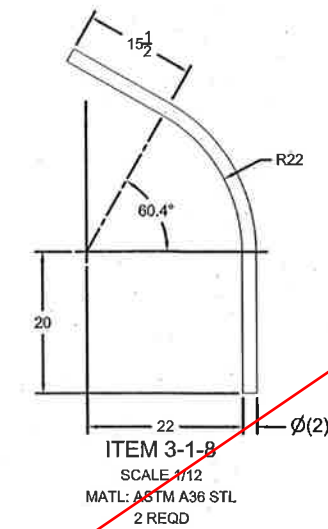
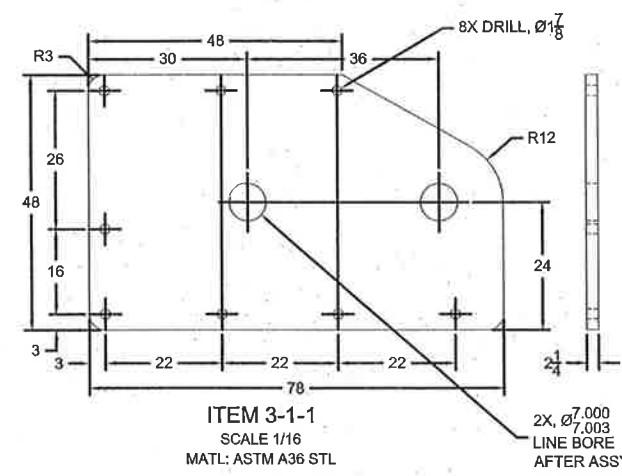
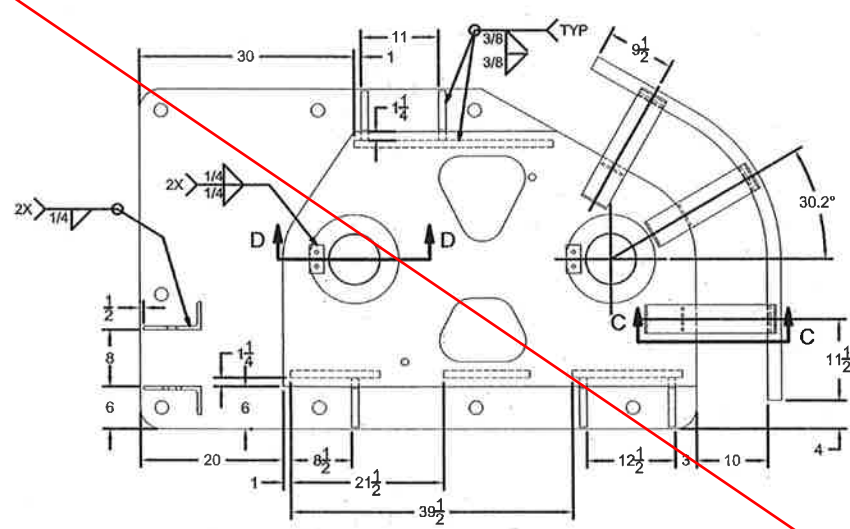
**PROVIDENCE/
GSE Associates, LLC**
 221 North 2nd St.
 Metairie, LA 70002
 (504) 885-4300
 2315 N. Reservoir
 Metairie, LA 70002
 (504) 885-4300
 ENGINEERS • ARCHITECTS • PLANNERS • SURVEYORS

DATE: NOV. 15, 2013
 SCALE: AS SHOWN
 PLOT SCALE: 1:1
 JOB NO.: 441-057-GSE

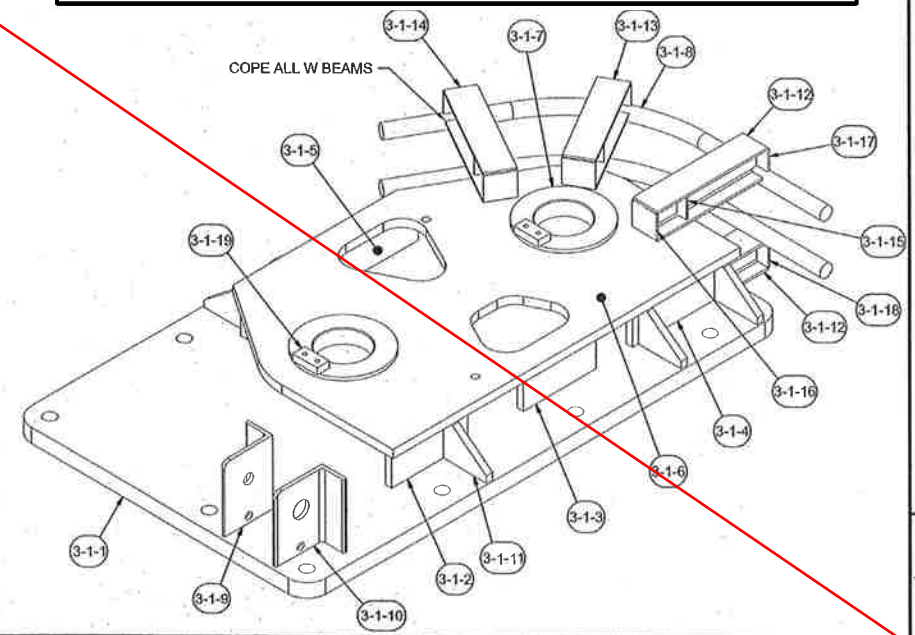
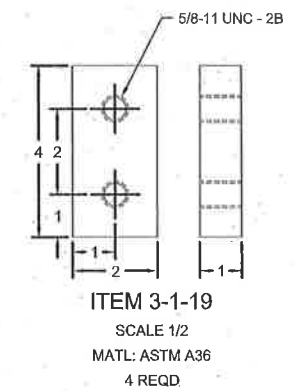
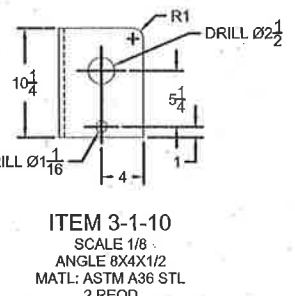
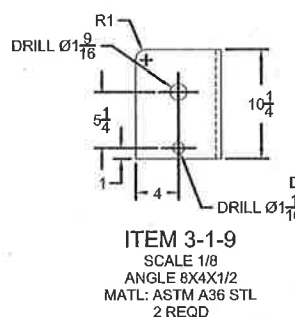
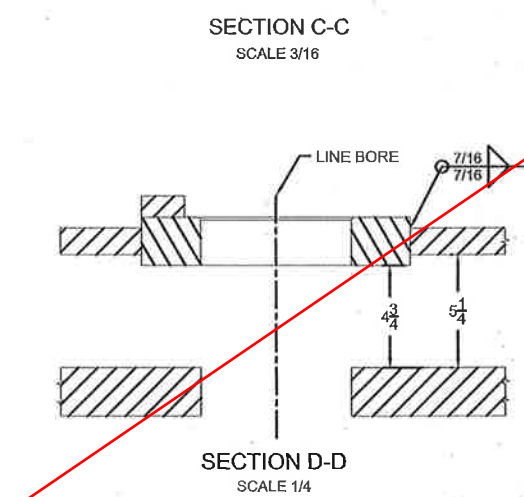
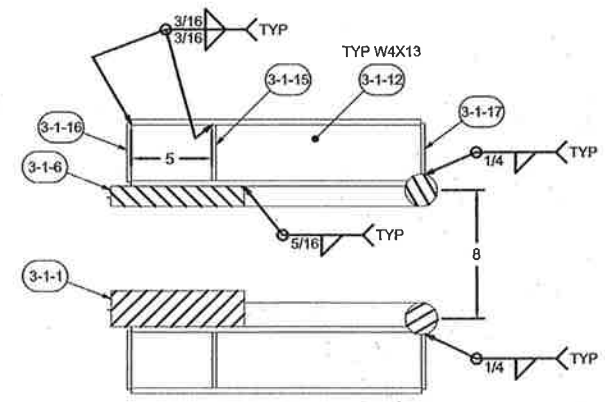
DESIGNED BY: LER
 DRAWN BY: EMV
 CHECKED BY: LER

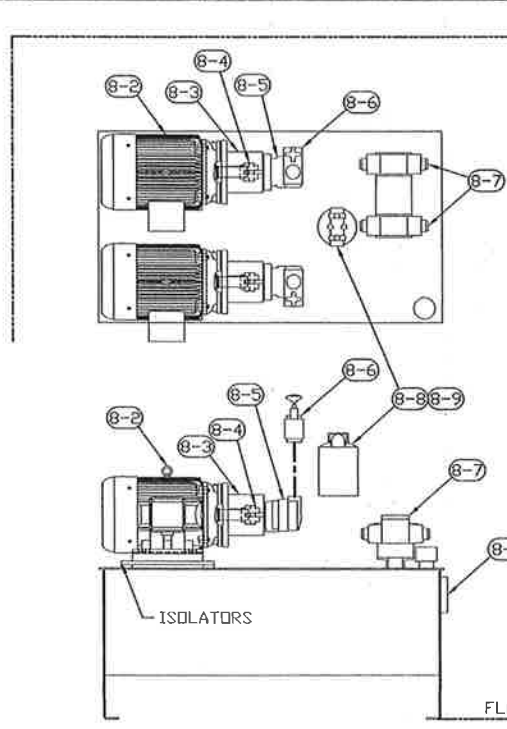
JOB: FALGOUT CANAL PONTOON BRIDGE REPLACEMENT
 OPERATING MACHINERY
 OWNER: Terrebonne Parish Consolidated Government
 Terrebonne Parish, Louisiana

SHEET NO. **M8**
 8 OF 10



RECORD DRAWING
 These compiled engineering as-built record drawings are a compilation of a copy of the original sealed engineering design drawings for this project, modified by addenda, change orders and information furnished by the contractor. The information shown on these compiled engineering as-built record drawings that was provided by the contractor or others not associated with me cannot be verified for accuracy or completeness. My compilation of this information does not relieve the contractor of responsibility for errors resultant to incorrect, incomplete or omitted data on the contractor's as-built record drawings - nor does it relieve the contractor of responsibility for non-conformance with the original contract documents. The original sealed engineering drawings are on file in the offices of Providence Engineering and Design, LLC. The professional engineer was Louie E. Rouffler, III with License Number 28852. (January 5, 2017)





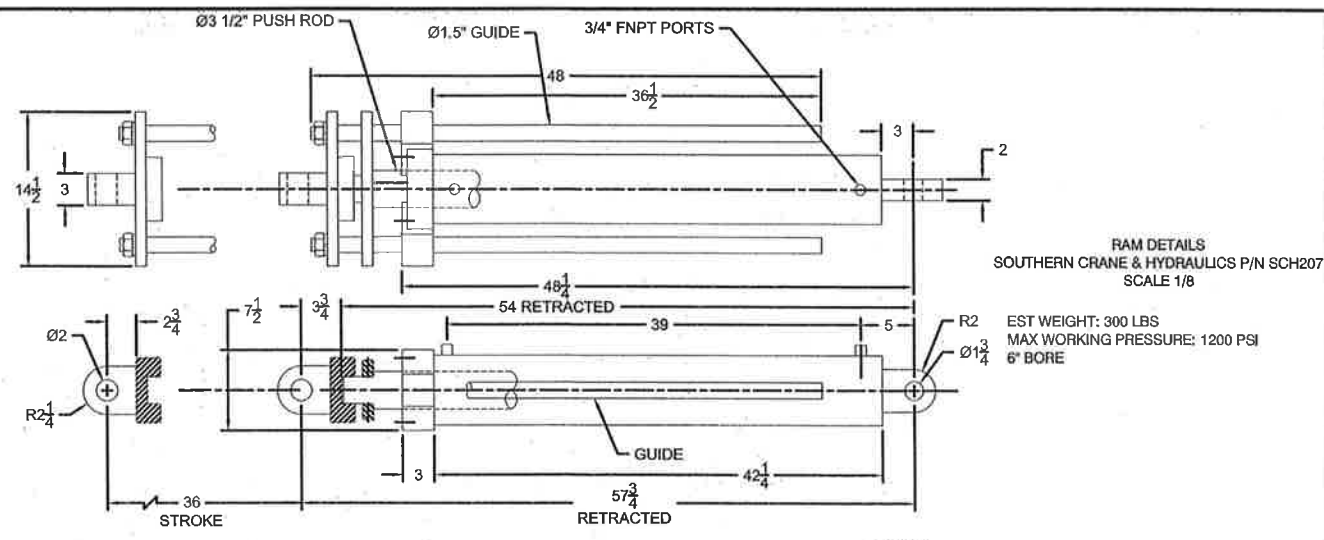
ITEM	QTY	PART NUMBER	DESCRIPTION
8-9	1	SE-25	FILTER, ZINGA
8-8	1	SF-100-25-13	HEAD, SPIN-ON FILTER, ZINGA
8-7	2	DG4V-35-60	VALVE, CONTROL, VICKERS
8-6	2	CS-03-F-50	VALVE, RELIEF, VICKERS
8-5	2	SDV20-1P6P-1C	PUMP, VANE, PARKER
8-4	2	100	COUPLING, MAGNALOY
8-3	2	M182582A	MOUNT, PUMP/MOTOR/ MAGNALOY
8-2	2	WVE7.5-18-213T	MOTOR, WORLDWIDE ELECTRIC CORP.
8-1	1	CDML	SIGHT GLASS W/ THERMOMETER

PARTS LISTS

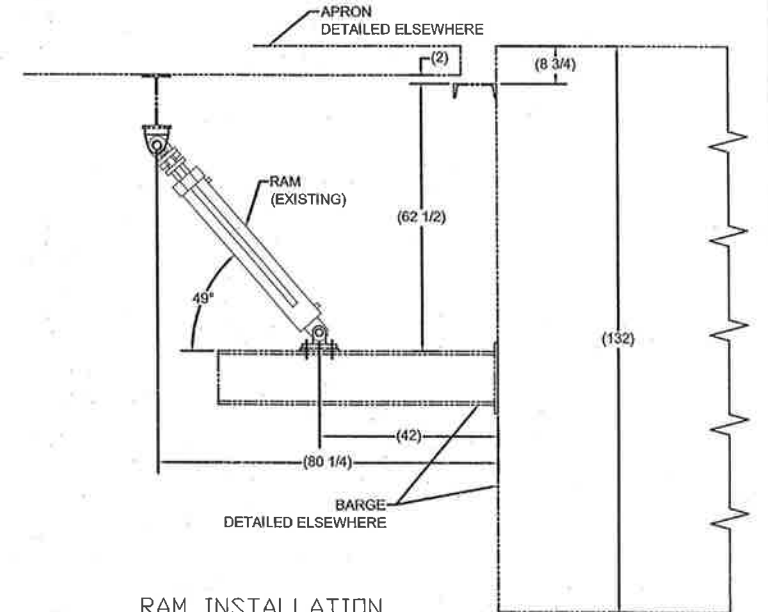
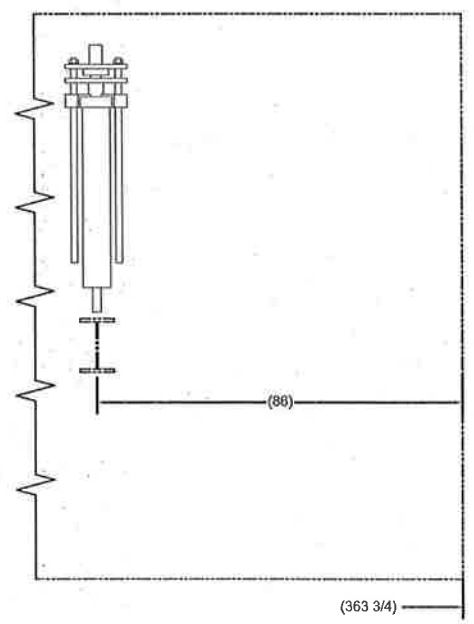
ITEM 8-APRON HPU
(EXISTING)
SCALE 1/12

RECORD DRAWING

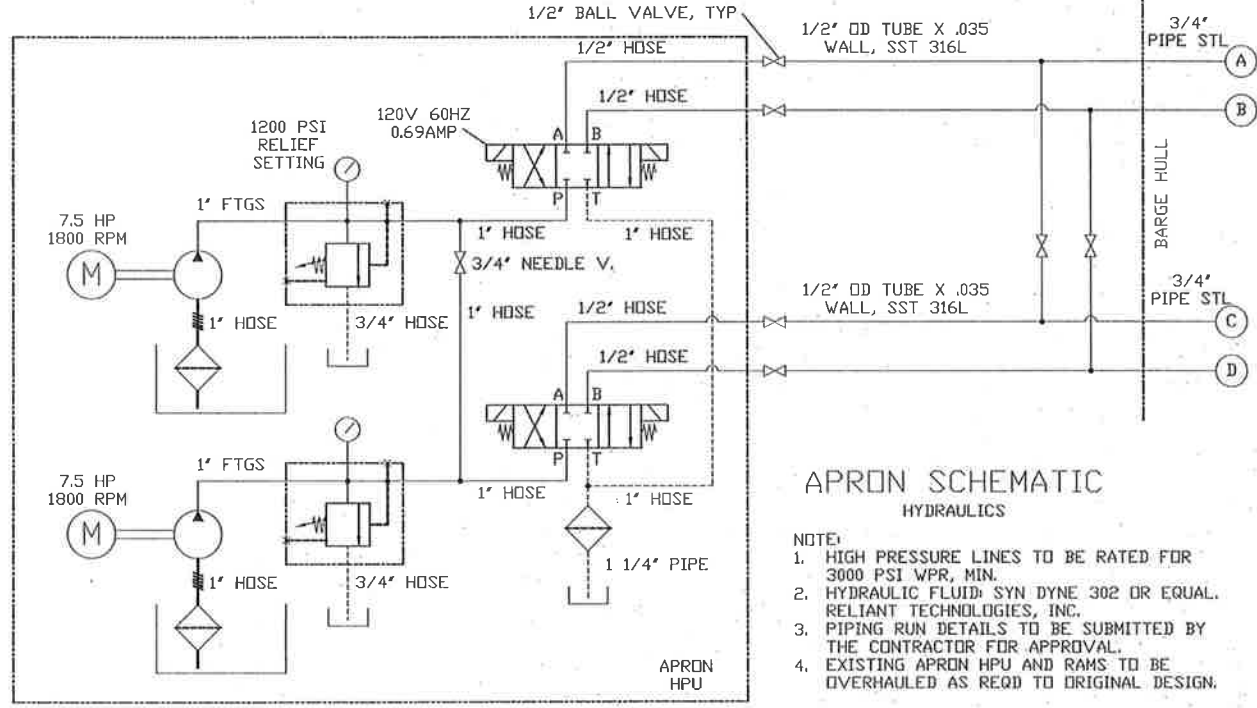
These compiled engineering as-built record drawings are a compilation of a copy of the original sealed engineering design drawings for this project, modified by addenda, change orders and information furnished by the contractor. The information shown on these compiled engineering as-built record drawings that was provided by the contractor or others not associated with me cannot be verified for accuracy or completeness. My compilation of this information does not relieve the contractor of responsibility for errors resultant to incorrect, incomplete or omitted data on the contractor's as-built record drawings - nor does it relieve the contractor of responsibility for non-conformance with the original contract documents. The original sealed engineering drawings are on file in the offices of Providence Engineering and Design, LLC. The professional engineer was Louis E. Roulier, III with License Number 28852. (January 5, 2017)



RAM DETAILS
SOUTHERN CRANE & HYDRAULICS P/N SCH207
SCALE 1/8
EST WEIGHT: 300 LBS
MAX WORKING PRESSURE: 1200 PSI
6\"/>

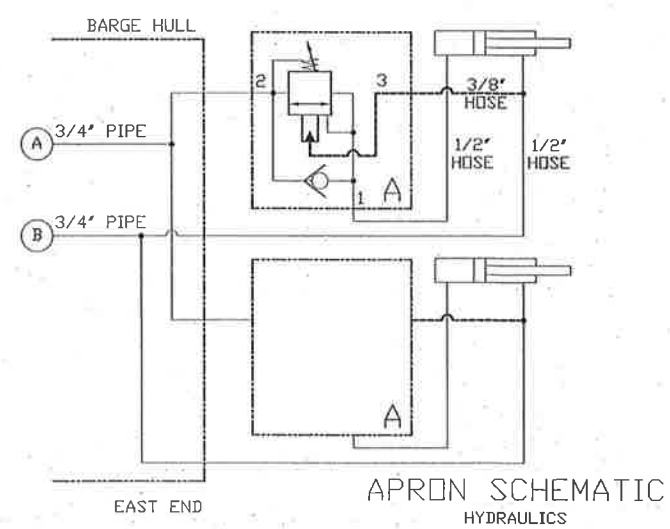


RAM INSTALLATION
SCALE 1/20

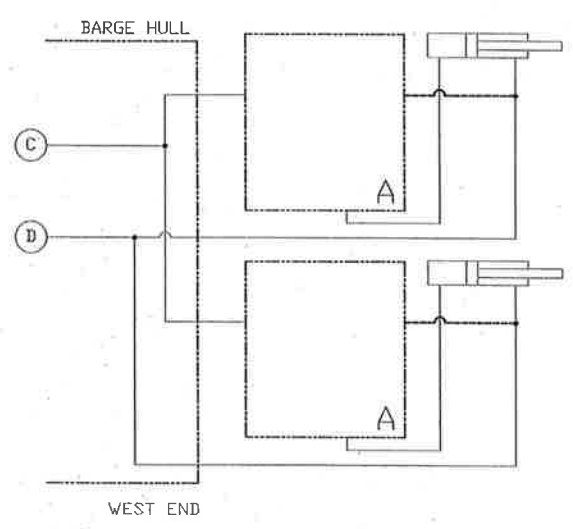


**APRON SCHEMATIC
HYDRAULICS**

- NOTE:
- HIGH PRESSURE LINES TO BE RATED FOR 3000 PSI WPR, MIN.
 - HYDRAULIC FLUID: SYN DYNE 302 OR EQUAL. RELIANT TECHNOLOGIES, INC.
 - PIPING RUN DETAILS TO BE SUBMITTED BY THE CONTRACTOR FOR APPROVAL.
 - EXISTING APRON HPU AND RAMS TO BE OVERHAULED AS REQD TO ORIGINAL DESIGN.



**APRON SCHEMATIC
HYDRAULICS**



CAD FILE NAME:		FILE NAME:	
REVISIONS	APFD		
REMARKS			
DATE:			
PROVIDENCE/ GSE Associates, LLC <small>2315 W. Woodland Metairie, LA 70001 (504) 885-1330 www.gse-llc.com</small>			
DATE:	NOV. 15, 2013	JOB NO.:	441-057-GSE
SCALE:	AS SHOWN	DESIGNED BY:	LER
PLT SCALE:	1:1	DRAWN BY:	EMW
		CHECKED BY:	LER
FALGOUT CANAL PONTOON BRIDGE REPLACEMENT OPERATING MACHINERY OWNER: Terrebonne Parish Consolidated Government Terrebonne Parish, Louisiana			
SHEET NO.		M10	
10 OF		10	

